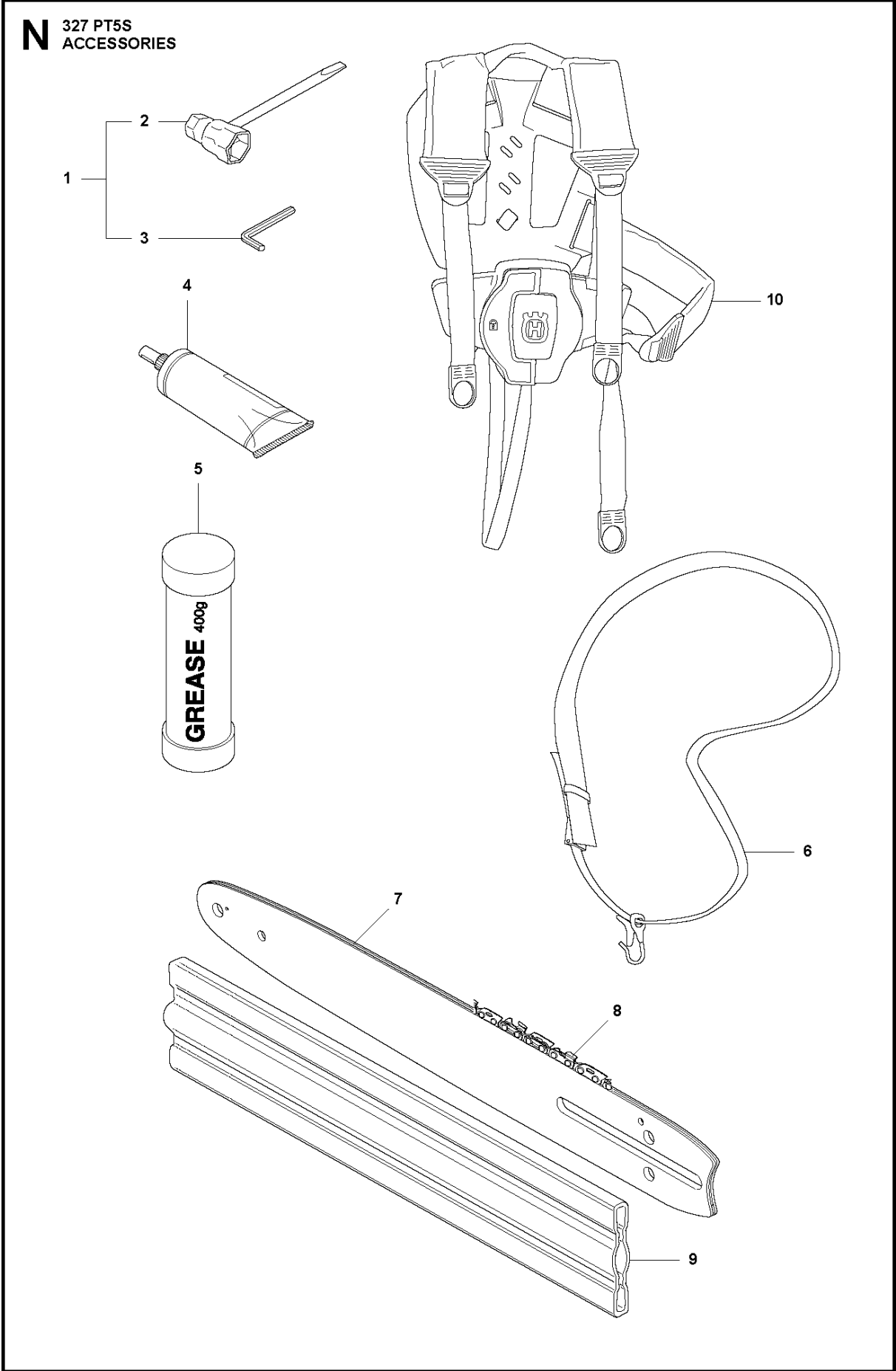




SPARE PARTS LIST

POLE PRUNER/POLE SAWS

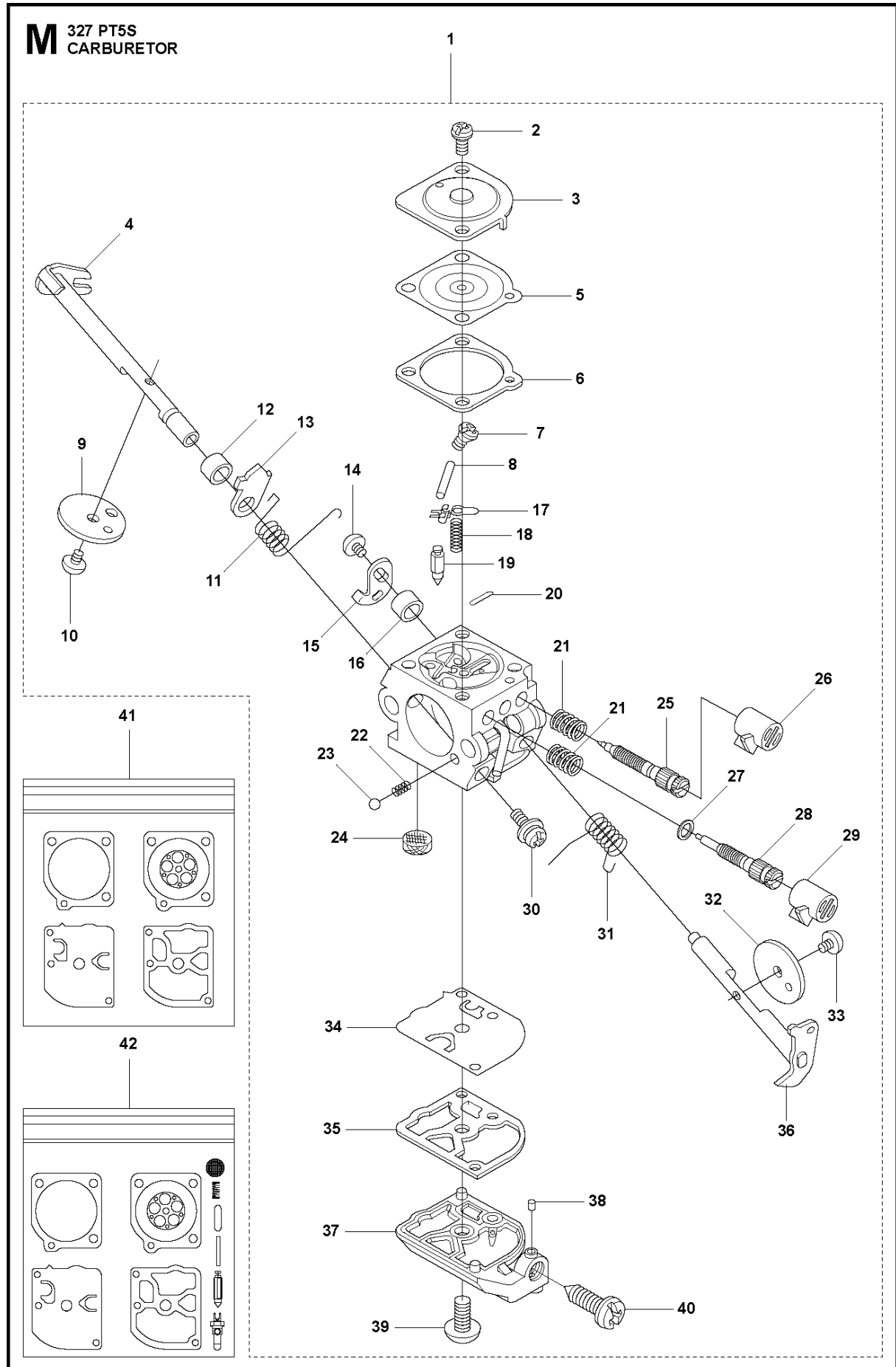
327 PT5S from 2012-01 -



ACCESSORIES

327 PT5S from 2012-01 -

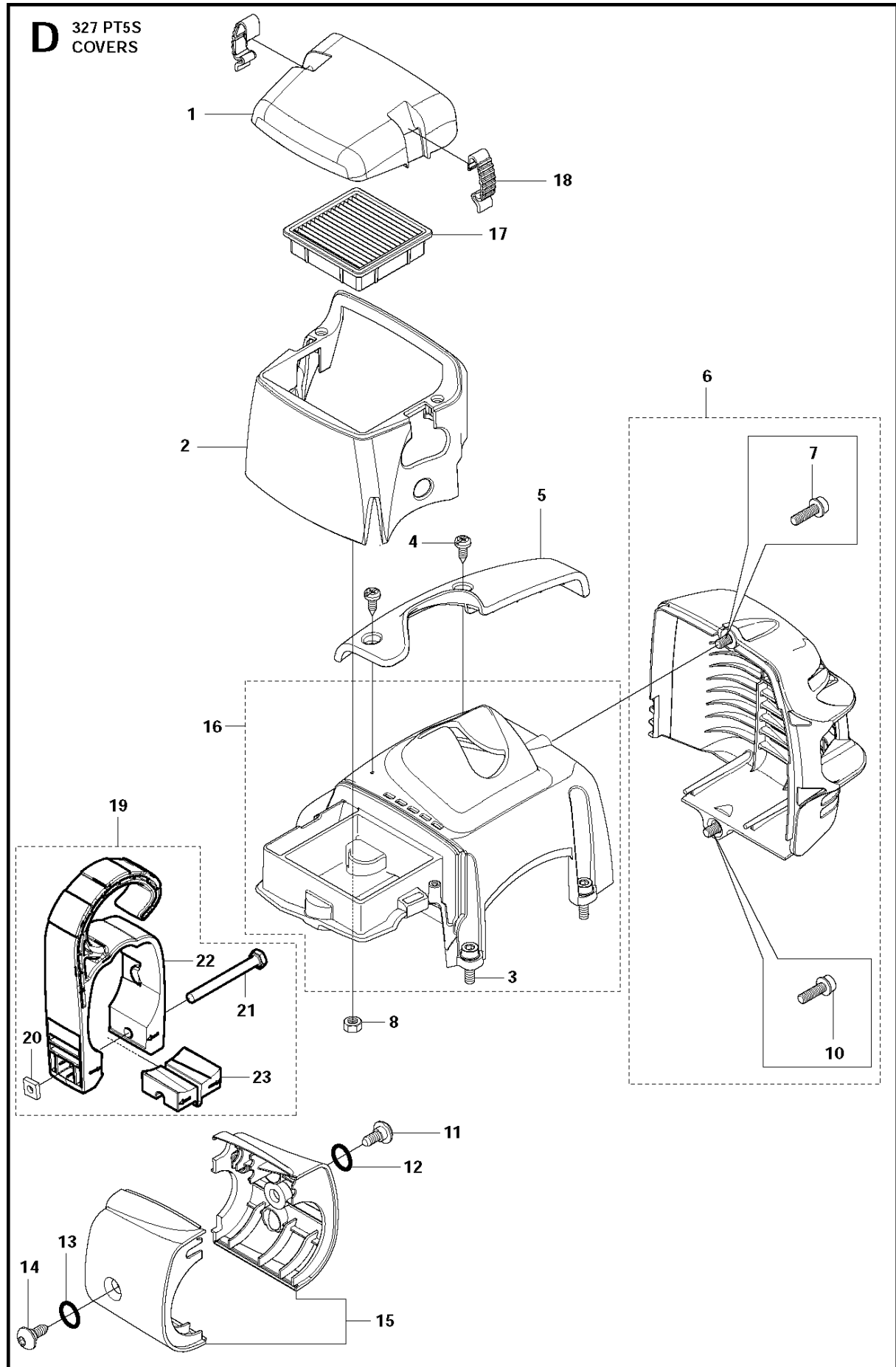
| Ref | Part No | Description | Remark | QTY | KIT |
|-----|--------------|--------------------|----------------------------------|-----|-----|
| 1 | 537 04 07-10 | ACCESSORY BAG | | 1 | |
| 2 | 501 69 17-01 | COMBINATION WRENCH | | 1 | 1 |
| 3 | 502 21 58-01 | L-NYCKEL | | 1 | 1 |
| 4 | 579 06 49-01 | GREASE | | 1 | |
| 5 | 531 00 92-05 | GREASE | | 1 | |
| 6 | 537 21 62-02 | HARNESS | (USA) | 1 | |
| 6 | 537 21 62-01 | HARNESS | | 1 | |
| 7 | 575 84 22-58 | BAR | "10"" , 1/4"" - 1,3 mm" | 1 | |
| 7 | 575 84 22-64 | BAR | "12"" , 1/4"" - 1,3 mm" | 1 | |
| 7 | 585 82 91-44 | BAR | 12" 3/8" mini 1,3mm | 1 | |
| 8 | 501 84 40-58 | SAW CHAIN | "10"" , 1/4"" - 1,3mm. 58DL" | 1 | |
| 8 | 501 84 40-64 | SAW CHAIN | "12"" , 1/4"" - 1,3 mm. 64DL" | 1 | |
| 8 | 501 84 70-44 | SAW CHAIN | | 1 | |
| 9 | 537 12 99-01 | BAR GUARD | | 1 | |
| 10 | 505 20 43-01 | HARNESS | Balance flex | 1 | |



CARBURETOR

327 PT5S from 2012-01 -

| Ref | Part No | Description | Remark | QTY KIT | |
|-----|--------------|---------------------|---------------|---------|---|
| 1 | 503 28 34-01 | CARBURETTOR | Zama C1Q-EL24 | 1 | |
| 2 | 503 48 05-01 | SCREW | | 2 | 1 |
| 3 | 503 97 43-01 | COVER | | 1 | 1 |
| 4 | 537 02 09-01 | SHAFT ASSY | | 1 | 1 |
| 5 | 537 04 89-01 | DIAPHRAGM | | 1 | 1 |
| 6 | 537 02 04-01 | GASKET | | 1 | 1 |
| 7 | 503 48 01-01 | SCREW | | 1 | 1 |
| 8 | 503 48 00-01 | PIN RETAINING SCREW | | 1 | 1 |
| 9 | 537 37 03-01 | VALVE | | 1 | 1 |
| 10 | 503 48 18-01 | SCREW | | 1 | 1 |
| 11 | 537 02 10-01 | SPRING | | 1 | 1 |
| 12 | 503 48 19-01 | COLLAR | | 1 | 1 |
| 13 | 537 04 90-01 | LEVER | | 1 | 1 |
| 14 | 503 47 90-01 | SCREW | | 1 | 1 |
| 15 | 537 01 98-01 | LEVER | | 1 | 1 |
| 16 | 503 47 89-01 | COLLAR | | 1 | 1 |
| 17 | 503 66 59-01 | LEVER | | 1 | 1 |
| 18 | 537 02 03-01 | SPRING | | 1 | 1 |
| 19 | 503 47 97-01 | VALVE | | 1 | 1 |
| 20 | 537 02 08-01 | PLUG | | 1 | 1 |
| 21 | 503 48 08-01 | SPRING | | 1 | 1 |
| 22 | 537 01 26-01 | SPRING | | 1 | 1 |
| 23 | 537 01 25-01 | BALL | | 1 | 1 |
| 24 | 503 53 57-01 | STRAINER | | 1 | 1 |
| 25 | 537 12 78-01 | SCREW | | 1 | 1 |
| 26 | 537 02 16-01 | LIMITER CAP | | 1 | 1 |
| 27 | 503 97 40-01 | WASHER | | 1 | 1 |
| 28 | 537 02 06-01 | SCREW | | 1 | 1 |
| 29 | 537 02 16-01 | LIMITER CAP | | 1 | 1 |
| 30 | 503 75 53-01 | SCREW | | 1 | 1 |
| 31 | 537 01 97-01 | SPRING | | 1 | 1 |
| 32 | 537 01 99-01 | VALVE | | 1 | 1 |
| 33 | 503 47 92-01 | SCREW | | 1 | 1 |
| 34 | 537 02 00-01 | DIAPHRAGM PUMP | | 1 | 1 |
| 35 | 537 02 01-01 | GASKET PUMP | | 1 | 1 |
| 36 | 537 01 96-01 | SHAFT ASSY | | 1 | 1 |
| 37 | 537 02 02-01 | COVER | | 1 | 1 |
| 38 | 503 48 11-01 | PIECE | | 1 | 1 |
| 39 | 503 47 96-01 | SCREW | | 1 | 1 |
| 40 | 537 02 07-01 | SCREW | | 1 | 1 |
| 41 | 531 00 45-52 | GASKET KIT | | 1 | |
| 42 | 531 00 45-53 | SET | | 1 | |

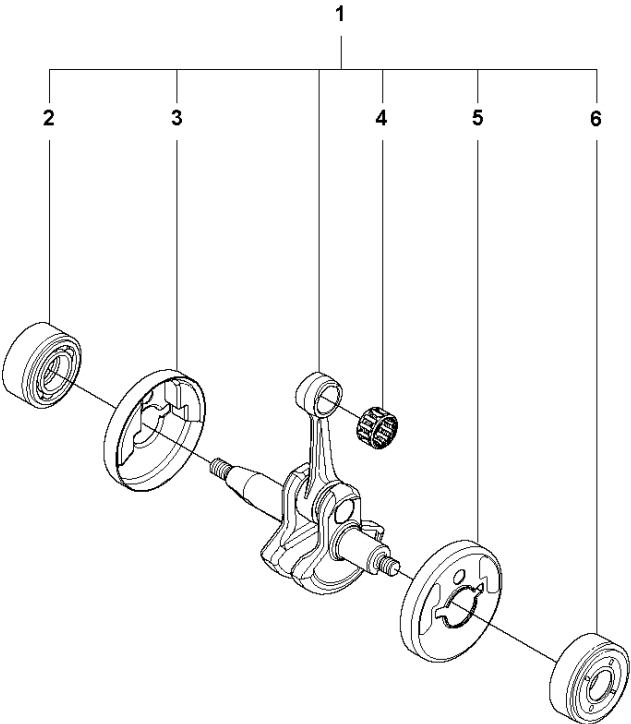


COVER

327 PT5S from 2012-01 -

| Ref | Part No | Description | Remark | QTY | KIT |
|-----|--------------|---------------------|----------------|-----|-----|
| 1 | 505 14 20-01 | FILTER COVER | | 1 | |
| 2 | 505 14 22-01 | COVER | | 1 | |
| 3 | 574 47 70-03 | SCREW IHSCFMO | Captive screws | 4 | 16 |
| 4 | 503 21 35-12 | SCREW CCRPANT | | 2 | |
| 5 | 502 48 16-01 | ARM PROTECTION | | 1 | |
| 6 | 544 84 81-02 | HEAT PROTECTOR | Captive screws | 1 | |
| 7 | 574 18 15-01 | SCREW IHSCFTO | Captive screws | 1 | 6 |
| 8 | 503 22 24-01 | LOCKING NUT | | 1 | |
| 10 | 574 47 70-03 | SCREW IHSCFMO | Captive screws | 1 | 6 |
| 11 | 503 96 13-01 | SCREW | | 1 | |
| 12 | 740 42 06-00 | O-RING | | 1 | |
| 13 | 740 42 06-00 | O-RING | | 1 | |
| 14 | 503 96 13-01 | SCREW | | 1 | |
| 15 | 502 48 15-01 | COVER | | 1 | |
| 16 | 505 14 18-02 | CYLINDER COVER ASSY | Captive screws | 1 | |
| 17 | 505 27 10-01 | FILTER | | 1 | |
| 18 | 537 38 72-01 | SNAP | | 2 | |
| 19 | 579 26 41-01 | LOOP | | 1 | |
| 20 | 502 19 71-01 | SQUARE NUT | | 1 | 19 |
| 21 | 725 23 81-51 | SCREW EHHM | | 1 | 19 |
| 22 | 574 41 22-01 | LOOP | | 1 | 19 |
| 23 | 574 41 21-01 | SPACING BLOCK | | 1 | 19 |

L 327 PT5S
CRANK SHAFT

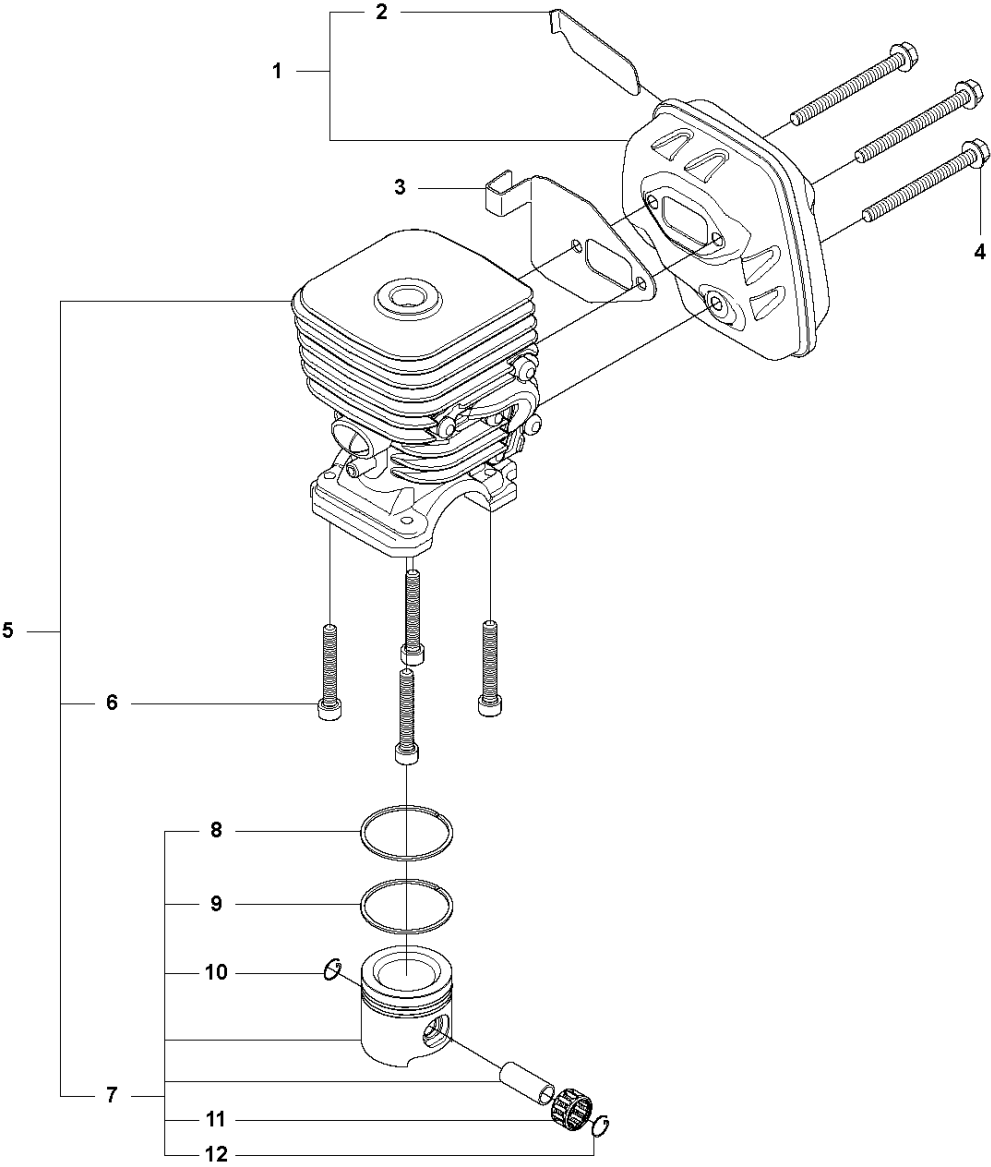


CRANKSHAFT

327 PT5S from 2012-01 -

| Ref | Part No | Description | Remark | QTY | KIT |
|-----|--------------|-----------------|--------|-----|-----|
| 1 | 503 85 24-74 | CRANKSHAFT ASSY | | 1 | |
| 2 | 503 94 02-03 | BEARING CAGE | | 1 | 1 |
| 3 | 503 94 05-01 | CUP | | 1 | 1 |
| 4 | 503 71 22-01 | BEARING | | 1 | 1 |
| 5 | 503 94 05-01 | CUP | | 1 | 1 |
| 6 | 503 94 02-03 | BEARING CAGE | | 1 | 1 |

K 327 PT5S
CYLINDER PISTON & MUFFLER

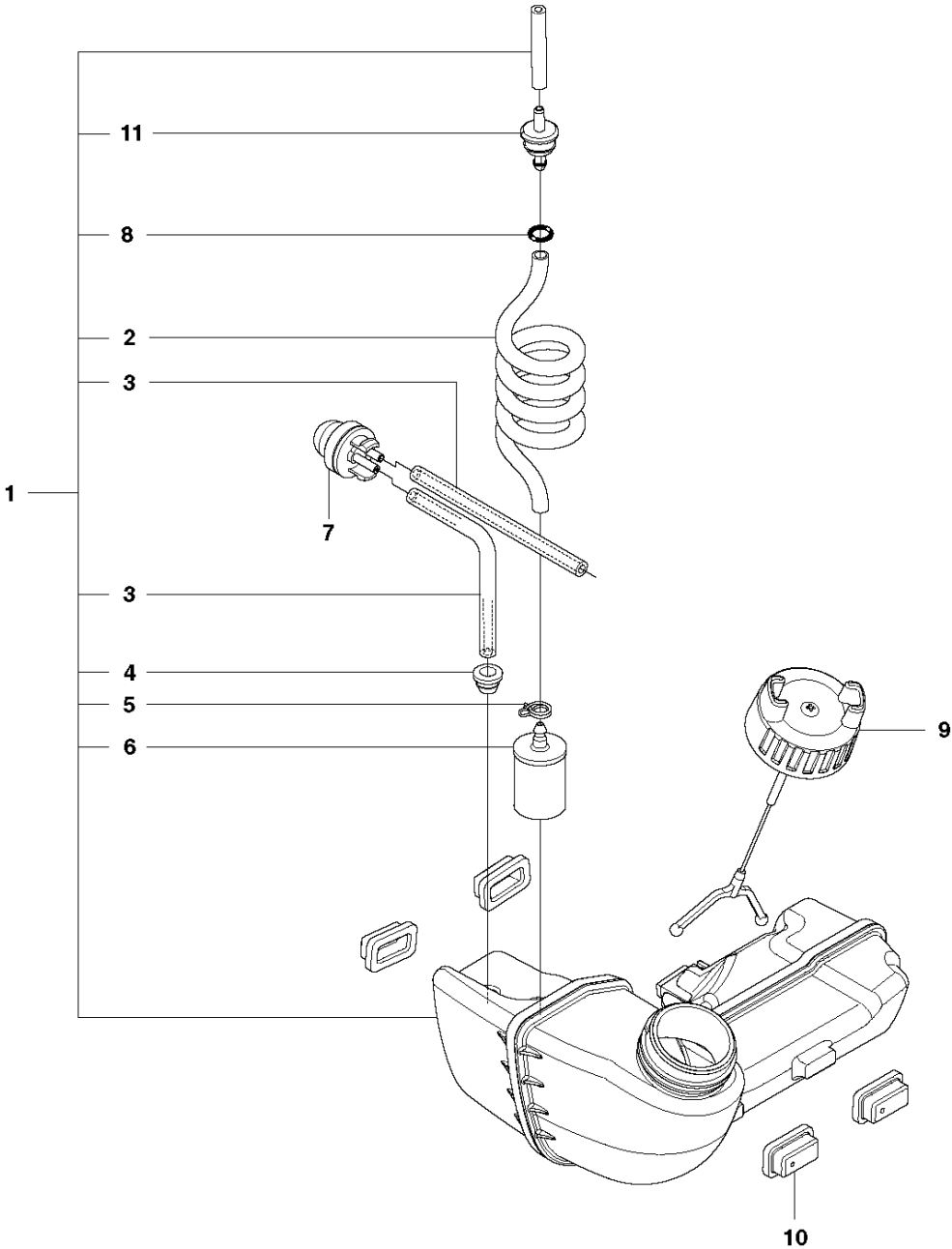


CYLINDER, PISTON & MUFFLER

327 PT5S from 2012-01 -

| Ref | Part No | Description | Remark | QTY KIT | |
|-----|--------------|-----------------------|--------|---------|-----|
| 1 | 537 22 17-04 | MUFFLER ASSY | Cat. | 1 | |
| 2 | 537 22 18-01 | SPARK ARRESTOR SCREEN | | 1 | 1 |
| 3 | 537 01 41-01 | GASKET | | 1 | |
| 4 | 502 07 81-01 | SCREW EHHFM | | 3 | |
| 5 | 537 08 51-03 | CYLINDER | Ø=34mm | 1 | |
| 6 | 503 20 07-35 | SCREW IHSCFM | | 4 | 5 |
| 7 | 537 40 59-02 | PISTON | | 1 | 5 |
| 8 | 537 40 62-01 | PISTON RING | | 1 | 5,7 |
| 9 | 537 40 62-01 | PISTON RING | | 1 | 5,7 |
| 10 | 737 44 08-00 | CIRCLIP | | 1 | 5,7 |
| 11 | 503 71 22-01 | BEARING | | 1 | 5,7 |
| 12 | 737 44 08-00 | CIRCLIP | | 1 | 5,7 |

H 327 PT5S
FUEL TANK

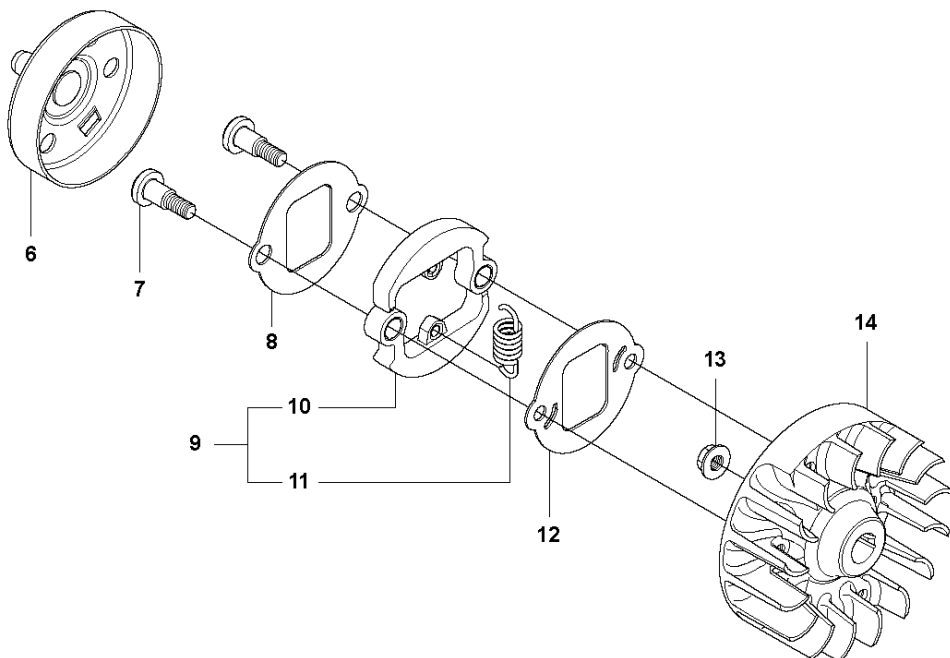
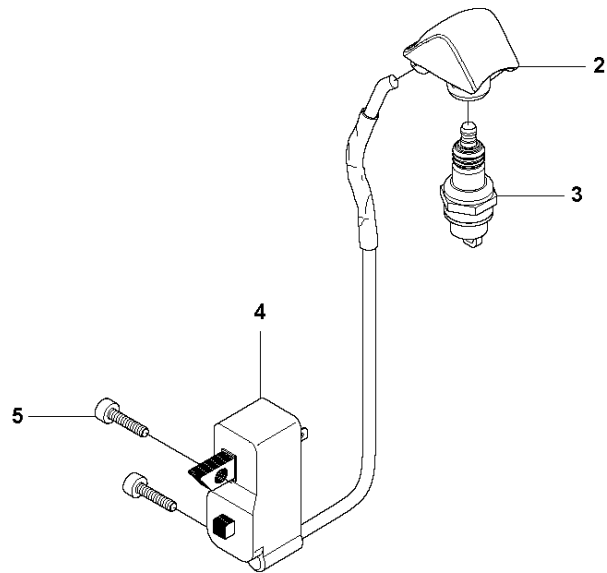
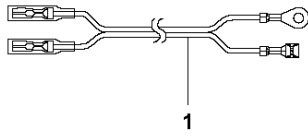


FUEL TANK

327 PT5S from 2012-01 -

| Ref | Part No | Description | Remark | QTY KIT | |
|-----|--------------|----------------|--------|---------|---|
| 1 | 584 25 80-01 | FUEL TANK ASSY | | 1 | |
| 2 | 581 75 62-01 | FUEL HOSE | | 1 | 1 |
| 3 | 544 32 50-01 | FUEL HOSE | | 2 | 1 |
| 4 | 503 73 58-01 | BUSHING | | 1 | 1 |
| 5 | 504 02 24-01 | HOSE CLAMP | | 1 | 1 |
| 6 | 503 44 32-01 | FILTER | | 1 | 1 |
| 7 | 503 93 66-01 | PRIMER HOUSING | | 1 | |
| 8 | 537 18 49-01 | O-RING | | 1 | 1 |
| 9 | 544 88 97-02 | TANK CAP | | 1 | |
| 10 | 503 91 10-01 | SUSPENSION | | 4 | |
| 11 | 578 29 56-01 | HOSE NIPPLE | | 1 | 1 |

J 327 PT5S
IGNITION SYSTEM & CLUTCH

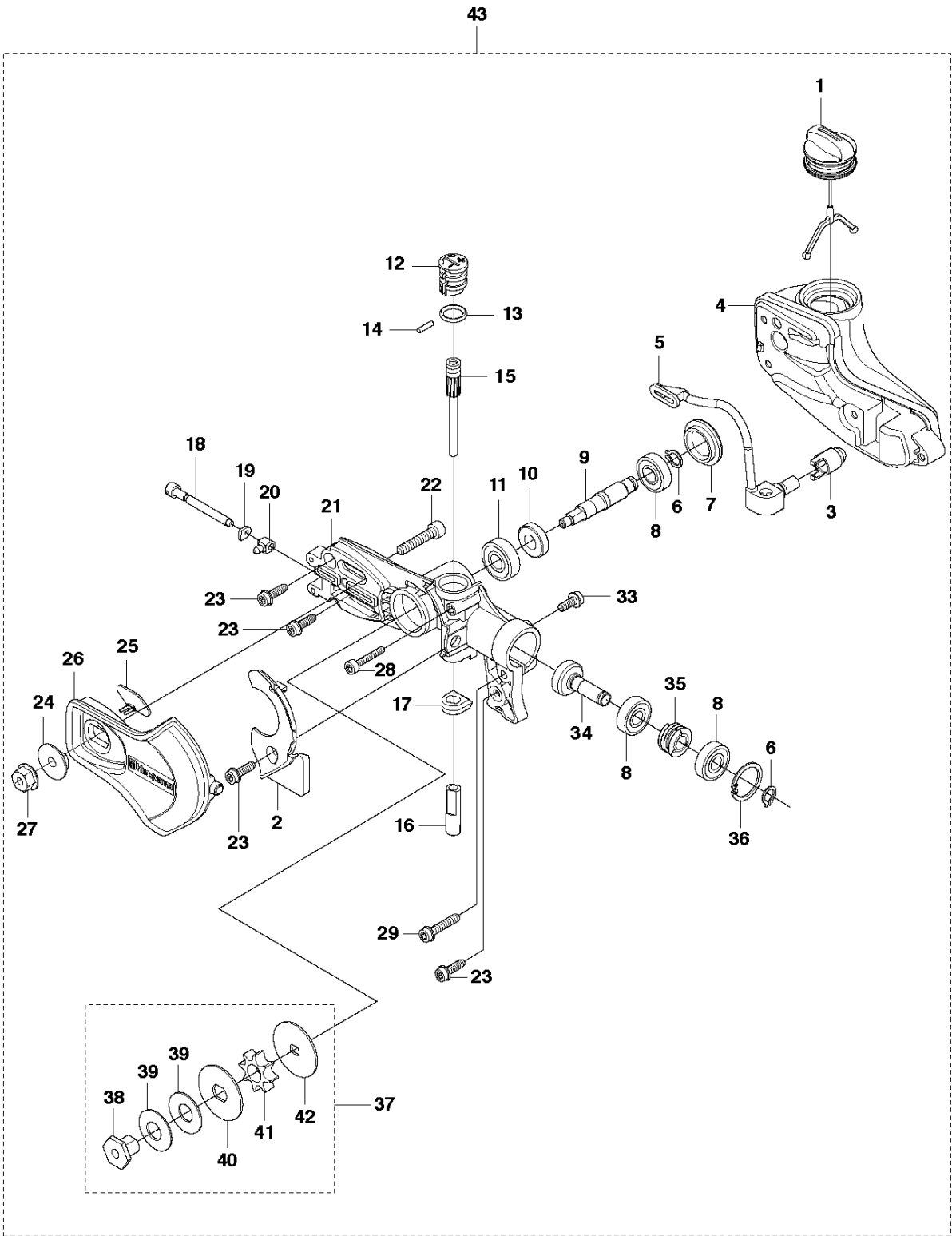


IGNITION SYSTEM & CLUTCH

327 PT5S from 2012-01 -

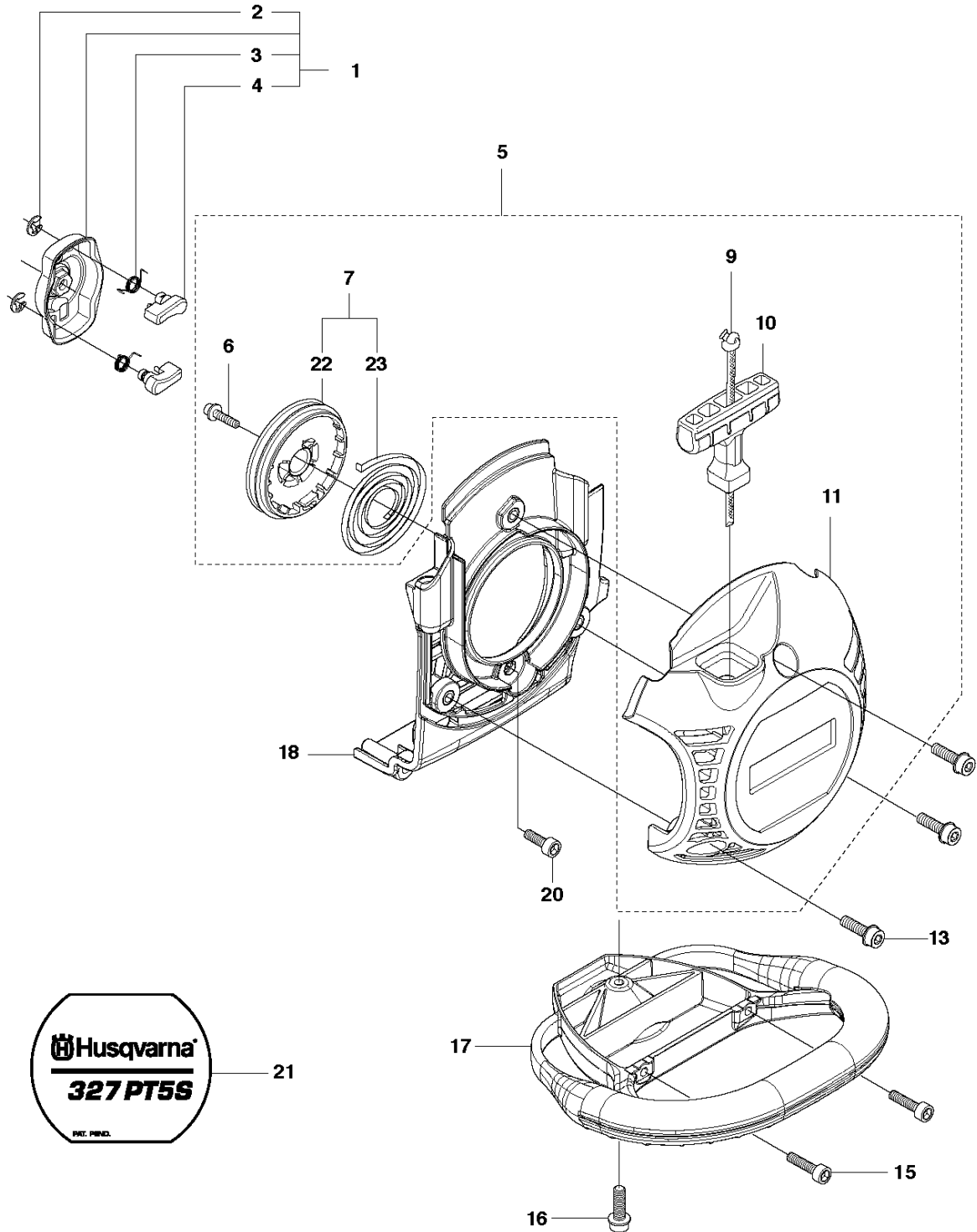
| Ref | Part No | Description | Remark | QTY | KIT |
|-----|--------------|---------------------|--------|-----|-----|
| 1 | 502 49 36-01 | SHORT CIRCUIT CABLE | | 1 | |
| 2 | 537 43 43-01 | SPARK PLUG CAP | | 1 | |
| 3 | 503 23 51-09 | SPARK PLUG | | 1 | |
| 4 | 544 12 70-01 | IGNITION MODULE | | 1 | |
| 5 | 503 21 66-18 | SCREW IHCT | | 2 | |
| 6 | 537 23 75-01 | CLUTCH DRUM ASSY | | 1 | |
| 7 | 503 84 29-02 | SCREW | | 2 | |
| 8 | 537 04 67-02 | WASHER | | 1 | |
| 9 | 537 03 22-01 | CLUTCH ASSY | | 1 | |
| 10 | 503 84 28-01 | CLUTCH SHOE | | 2 | 9 |
| 11 | 503 81 60-01 | CLUTCH SPRING | | 1 | 9 |
| 12 | 537 04 68-02 | WASHER | | 1 | |
| 13 | 731 71 16-51 | HEXAGON NUT FLANGED | | 1 | |
| 14 | 537 24 96-02 | FLYWHEEL | | 1 | |

A 327 PT5S
SAW HEAD



| Ref | Part No | Description | Remark | QTY | KIT |
|-----|--------------|--------------------|-------------------|-----|--------|
| 1 | 505 41 52-01 | TANK CAP ASSY | | 1 | 43 |
| 2 | 525 61 31-01 | COVER | | 1 | 43 |
| 3 | 510 04 43-01 | OIL SCREEN | | 1 | 43 |
| 4 | 577 66 70-01 | OIL TANK | | 1 | 43 |
| 5 | 525 49 06-01 | OIL HOSE | | 1 | 43 |
| 6 | 735 31 11-00 | CIRCLIP | | 2 | 43 |
| 7 | 574 82 98-01 | COVER | | 1 | 43 |
| 8 | 738 21 99-04 | BALL BEARING | | 3 | 43 |
| 9 | 525 49 04-01 | SHAFT | | 1 | 43 |
| 10 | 575 35 56-01 | GEAR WHEEL | | 1 | 43 |
| 11 | 738 21 00-04 | BALL BEARING | | 1 | 43 |
| 12 | 525 48 16-01 | KNOB | | 1 | 43 |
| 13 | 740 43 10-14 | O-RING | | 1 | 43 |
| 14 | 503 24 09-11 | NEEDLE ROLLER | | 1 | 43 |
| 15 | 540 05 79-01 | PUMP PISTON | | 1 | 43 |
| 16 | 537 15 48-01 | PUMP CYLINDER | | 1 | 43 |
| 17 | 576 39 59-01 | FASTENER | | 1 | 43 |
| 18 | 501 81 92-01 | SCREW | | 1 | 43 |
| 19 | 501 45 27-02 | LOCKING NUT | | 1 | 43 |
| 20 | 501 45 41-01 | NUT | | 1 | 43 |
| 21 | 523 85 37-02 | GEAR HOUSING | | 1 | 43 |
| 22 | 576 83 10-01 | SCREW IHSCM | | 1 | 43 |
| 23 | 573 92 58-01 | SCREW ITXSCFT | | 3 | 43 |
| 24 | 525 49 07-01 | BUSHING | | 1 | 43 |
| 25 | 574 40 47-01 | RUBBER | | 1 | 43 |
| 26 | 525 48 14-01 | COVER | | 1 | 43 |
| 27 | 503 22 00-07 | HEXAGON NUT FLANGE | | 4 | 43 |
| 28 | 525 76 09-05 | SCREW ITXSCM | | 1 | 43 |
| 29 | 525 75 51-04 | SCREW ITXSCFM | | 1 | 43 |
| 33 | 525 75 51-05 | SCREW ITXSCFM | | 1 | 43 |
| 34 | 575 35 55-01 | PINION | | 1 | 43 |
| 35 | 525 48 97-01 | WORM GEAR | | 1 | 43 |
| 36 | 735 31 25-10 | CIRCLIP | | 1 | 43 |
| 37 | 585 48 31-01 | SPROCKET | "for 1/4"" Chain" | 1 | 43 |
| 37 | 585 48 31-02 | SPROCKET | "for 3/8"" chain" | 1 | 43 |
| 38 | 580 76 04-01 | NUT | | 1 | 37, 43 |
| 39 | 581 12 61-01 | DISC SPRING | | 2 | 37, 43 |
| 40 | 585 84 19-02 | WASHER | | 1 | 37, 43 |
| 41 | 580 76 05-01 | SPUR SPROCKET | "for 1/4"" Chain" | 1 | 37, 43 |
| 41 | 581 10 00-01 | SPUR SPROCKET | "for 3/8"" chain" | 1 | 37, 43 |
| 42 | 585 84 19-01 | WASHER | | 1 | 43 |
| 43 | 575 78 43-06 | POLE SAW HEAD | "for 1/4"" Chain" | 1 | |
| 43 | 575 78 43-07 | POLE SAW HEAD | "for 3/8"" chain" | 1 | |

F 327 PT5S
STARTER

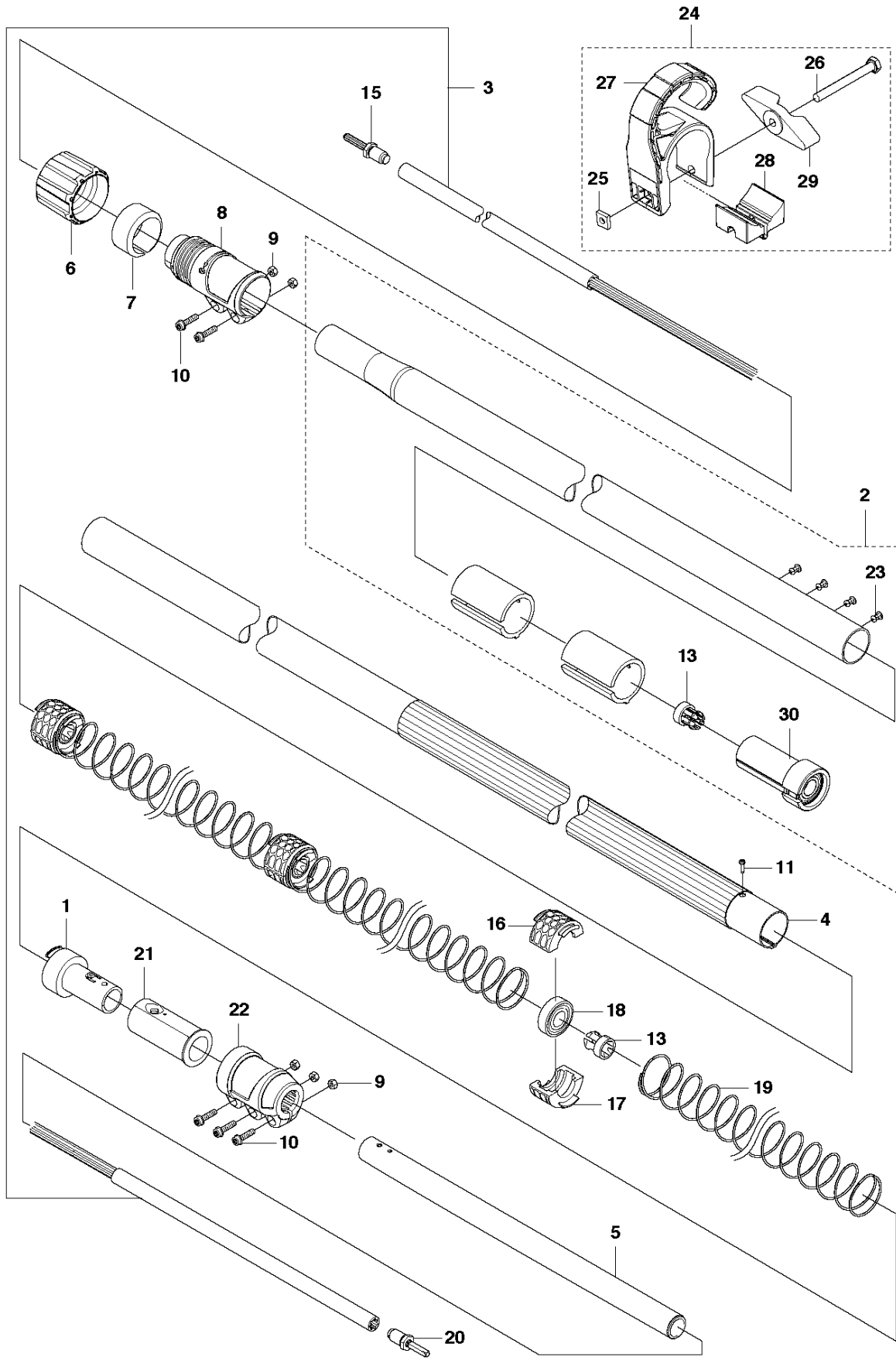


STARTER

327 PT5S from 2012-01 -

| Ref | Part No | Description | Remark | QTY | KIT |
|-----|--------------|---------------------|--------|-----|-----|
| 1 | 503 87 33-05 | STARTER PAWL BRIDGE | | 1 | |
| 2 | 735 31 08-20 | E-CLIP | | 2 | 1 |
| 3 | 503 87 36-01 | SPRING | | 1 | 1 |
| 4 | 503 87 35-02 | STARTER PAWL | | 2 | 1 |
| 5 | 505 19 83-01 | STARTER ASSY | | 1 | |
| 6 | 503 21 88-76 | SCREW IHSCFT | | 1 | 5 |
| 7 | 537 33 23-03 | STARTER PULLEY | | 1 | 5 |
| 9 | 505 30 51-25 | STARTER CORD | | 1 | 5 |
| 10 | 537 00 84-01 | STARTER HANDLE | | 1 | 5 |
| 11 | 505 14 13-01 | STARTER ASSY | | 1 | 5 |
| 13 | 503 20 03-16 | SCREW IHSCFM | M5x16 | 3 | |
| 15 | 503 21 75-16 | SCREW IHSCFT | | 2 | |
| 16 | 503 20 14-12 | SCREW IHSCFMO | M5x12 | 1 | |
| 17 | 537 17 45-01 | HANDLE | | 1 | |
| 18 | 577 41 60-01 | BRACKET ASSY | | 1 | |
| 20 | 503 21 53-16 | SCREW ITXSCM | | 1 | |
| 21 | 537 32 24-12 | LABEL | | 1 | |
| 22 | 537 32 50-03 | STARTER PULLEY | | 1 | 5 |
| 23 | 503 85 99-01 | RECOIL SPRING | | 1 | 5 |

B 327 PT5S
TELESCOPE POLE

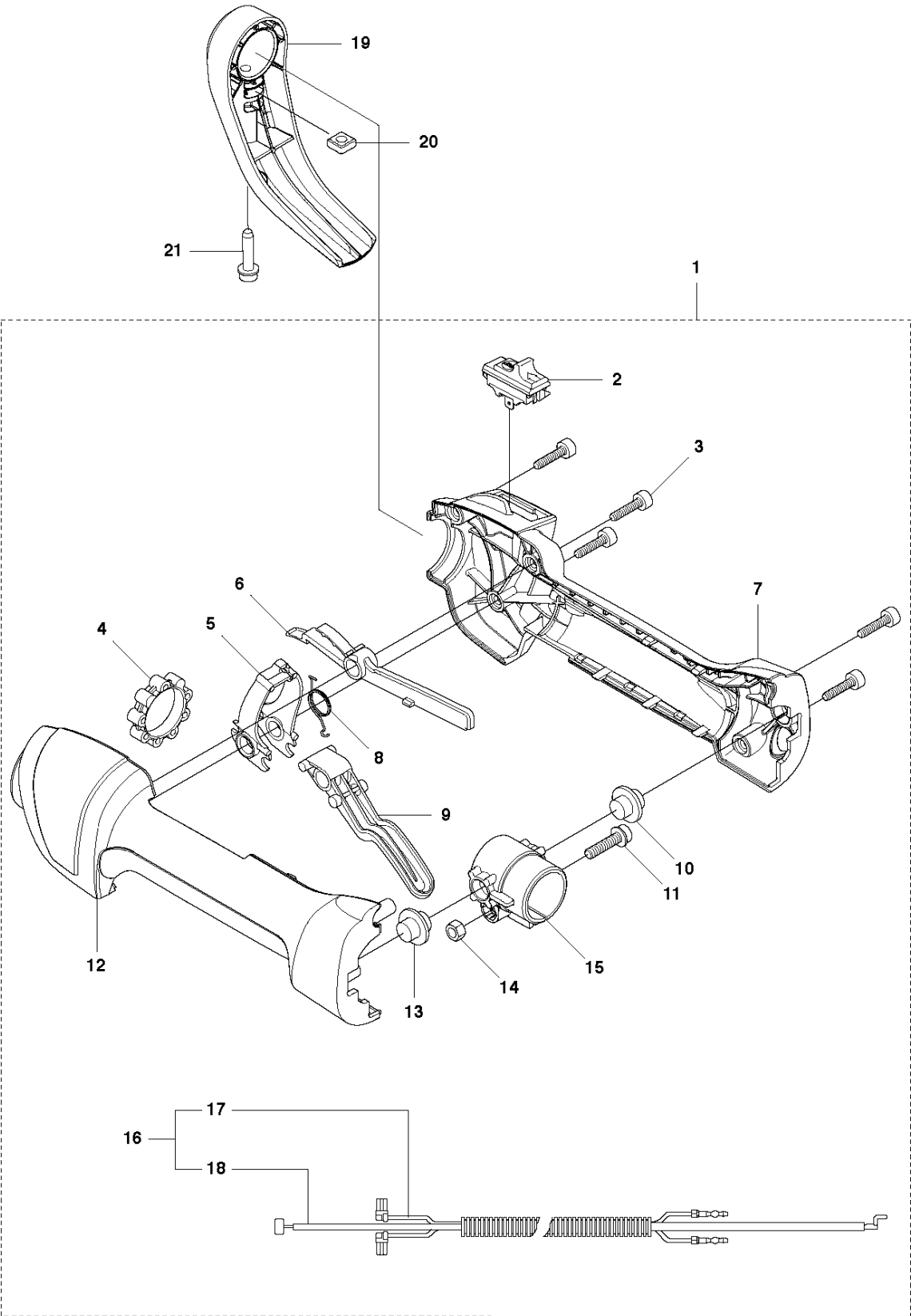


TELESCOPE POLE

327 PT5S from 2012-01 -

| Ref | Part No | Description | Remark | QTY | KIT |
|-----|--------------|-----------------|--------|-----|-----|
| 1 | 576 92 60-01 | BEARING SLEEVE | | 1 | |
| 2 | 576 92 58-01 | TUBE | | 1 | |
| 3 | 576 92 56-01 | DRIVE SHAFT | | 1 | |
| 4 | 576 92 55-01 | FRAME TUBE | | 1 | |
| 5 | 576 92 57-01 | TUBE | | 1 | |
| 6 | 510 09 61-01 | NUT | | 1 | |
| 7 | 522 74 26-01 | RING | | 1 | |
| 8 | 510 09 60-01 | CLAMPING SLEEVE | | 1 | |
| 9 | 731 23 14-01 | HEXAGON NUT | | 5 | |
| 10 | 525 75 51-02 | SCREW ITXSCFM | | 5 | |
| 11 | 530 01 60-64 | SCREW | | 1 | 4 |
| 13 | 537 09 45-01 | SLIDING SHOE | | 4 | 2 |
| 15 | 574 61 89-01 | ADAPTER | | 1 | |
| 16 | 510 09 73-01 | BEARING HOUSING | | 3 | |
| 17 | 510 09 47-01 | BEARING HOUSING | | 3 | |
| 18 | 738 21 01-02 | BALL BEARING | | 3 | |
| 19 | 510 09 52-01 | SPRING | | 3 | |
| 20 | 574 61 91-01 | ADAPTER | | 1 | |
| 21 | 510 09 10-01 | SLEEVE | | 1 | |
| 22 | 522 59 70-01 | CLAMPING SLEEVE | | 1 | |
| 23 | 576 22 12-01 | RIVET | | 4 | 2 |
| 24 | 579 26 40-01 | LOOP | | 1 | |
| 25 | 502 19 71-01 | SQUARE NUT | | 1 | 24 |
| 26 | 725 23 81-51 | SCREW EHHM | | 1 | 24 |
| 27 | 522 72 31-01 | LOOP | | 1 | 24 |
| 28 | 522 72 33-01 | SPACING BLOCK | | 1 | 24 |
| 29 | 502 20 38-01 | KNOB | | 1 | 24 |
| 30 | 579 27 55-01 | BEARING SLEEVE | | 1 | 2 |

C 327 PT5S
THROTTLE CONTROLS



THROTTLE CONTROLS

327 PT5S from 2012-01 -

| Ref | Part No | Description | Remark | QTY | KIT |
|-----|--------------|---------------------|--------|-----|------|
| 1 | 544 14 36-04 | CONTROL | | 1 | |
| 2 | 537 41 90-01 | SWITCH | | 1 | 1 |
| 3 | 503 21 66-18 | SCREW IHSC T | | 5 | 1 |
| 4 | 503 96 14-01 | VIBRATION ABSORBER | | 1 | |
| 5 | 503 91 81-01 | THROTTLE LEVER | | 1 | |
| 6 | 503 87 80-01 | THROTTLE LOCKOUT | | 1 | |
| 7 | 544 10 02-02 | HANDLE HALF RIGHT | | 1 | 1 |
| 8 | 544 10 08-01 | RECOIL SPRING | | 1 | 1 |
| 9 | 503 87 79-03 | THROTTLE TRIGGER | | 1 | 1 |
| 10 | 544 10 17-02 | RUBBER DAMPER | | 1 | 1 |
| 11 | 503 20 03-20 | SCREW IHSCFM | | 1 | |
| 12 | 544 10 03-02 | HANDLE HALF LEFT | | 1 | 1 |
| 13 | 544 10 17-02 | RUBBER DAMPER | | 1 | 1 |
| 14 | 731 23 14-01 | HEXAGON NUT | | 1 | 1 |
| 15 | 544 11 21-01 | RETAINER | | 1 | 1 |
| 16 | 502 65 13-01 | WIRING | | 1 | 1 |
| 17 | 502 53 16-01 | SHORT CIRCUIT CABLE | | 1 | 1,16 |
| 18 | 544 17 17-03 | THROTTLE WIRE ASSY | | 1 | 1,16 |
| 19 | 523 06 26-01 | TRIGGER | GUARD | 1 | |
| 20 | 503 22 65-01 | SQUARE NUT | | 1 | |
| 21 | 503 20 16-02 | SCREW IHSCFM | | 1 | |