

# ***GENERAL PURPOSE ENGINE***

GCV160  
GCV160A  
GCV160A0  
GCV160E  
GCV160LE  
GCV160LA  
GCV160LA0

**PARTS CATALOGUE**

**8**



GCV160

---

FOREWORD INDEX

**1**

---

ENGINE GROUP

**2**

---

PART NUMBER INDEX

**3**

---

PART NAME INDEX

**4**

---



**Instruction for use of parts catalogue**

- **This parts catalogue was prepared based on the latest information available as of January 10, 2009.**
- See the parts catalogue news for any revision that is made after January 10, 2009.
- **Always specify the part number when ordering a part.**
- Check the model, type, serial numbers, color, maker, and the size as needed before ordering a part.
- Note that the illustrations (part drawings) can differ from the actual parts in shape. They are given just to help you to refer to the parts.
- **When modifications or additions to this parts catalogue are made, a revised edition will be issued at an appropriate time, with successively progressing revision numbers on the cover. We recommend obtaining such revisions in order to keep your parts catalogue up-to-date at all times. To check whether a parts catalogue revision has been issued, please contact your Honda distributor.**

Initial version issue date **September 10, 1997**  
**Honda Motor Co., Ltd.**

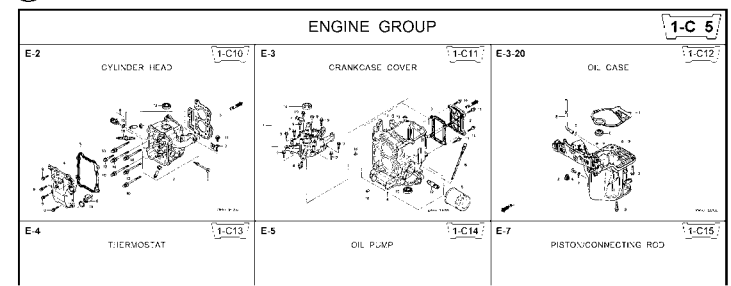
**CONTENTS**

	Page	Address No.	
● Instruction for use of parts catalogue .....	1	B 1	<b>1</b>
● How to refer to the part information .....	2	B 2	
● Part catalogue structure .....	3	B 3	
● When the parts were revised.....	4	B 4	
● Abbreviations used in the parts catalogue.....	4	B 4	
● How to check the part block and serial numbers.....	5	B 5	
● Models, parts catalogue codes and applicable serial numbers .....	6	B 6	
● Features of each type.....	14	B14	
● Fuel hose, general purpose hoses and vinyl hose.....	31	C15	
● FLAT RATE SERVICE TIME .....	32	C16	
● Illustrated index .....	37	D 5	
● ENGINE GROUP.....	40	E 1	<b>2</b>
● PART NO. INDEX.....	122	K 1	<b>3</b>
● PART NAME INDEX.....	125	L 1	<b>4</b>

How to refer to the part information

1

A Reference with "Illustrated index"



B Reference with "Part number index"

PART NO. INDEX

Part Number	Address	Page	Ref.	Part Number	Address	Page
06000				15212-ZW9-000	1-C14	3C
06316-ZW9-000	1-69	88	1	15220-ZW9-003	1-C14	3C
11000				15332-ZW9-000	1-E8	55
11300-ZW9-405	1-C11	27	1	15332-ZW9-A30	1-E11	5E
11300-ZW9-406	1-C11	27	1	15400-PFB-004	1-C11	27
11340-ZW9-000	1-C11	27	2	15422-ZW9-000	1-C14	3C
11342-ZW9-000	1-C11	27	3	15473-881-000	1-C14	3C
11381-ZW9-003	1-C12	28	1	15474-ZW9-000	1-C14	3C
				15611-921-000	1-C10	2E
				15655-ZW9-000	1-C11	27
12000				16000		
12000-ZW9-405ZA	1-C11	27	4	16010-ZV4-005	1-D4	3E
12155-ZV4-A00	1-C13	29	1	16011-ZV4-005	1-D4	3E
12166-ZW9-000	1-C10	26	1	16013-ZW9-003	1-D4	3E
12209-GB4-681	1-C16	32	1	16016-ZW9-003	1-D4	3E
12210-ZW9-405ZA	1-C10	26	2	16016-ZW9-721	1-D4	3E
12216-ZE2-500	1-E8	55	1	16023-ZW9-003	1-D4	3E
	1-E11	58	1	16024-ZV4-650	1-D4	3E
				16028-ZV4-650	1-D4	3E

Address No. 1-C10

E-2 CYLINDER HEAD

Block No.

Ref No.

Ref. No.	Part No.	Description	Reqd. QTY						Serial No.	Parts catalogue code
			99D1	99D1	1001	1001	1001	1001		
1	12166-ZW9-000	STOPPER, ENGINE SIDE	2	2	2	2	2	2		
2	12210-ZW9-000ZA	HEAD COMP., CYLINDER	1	1	1	1	1	1		
3	12251-ZW9-003	GASKET, CYLINDER HEAD	1	1	1	1	1	1		
4	12310-ZW9-000	COVER COMP., HEAD	1	1	1	1	1	1		
5	12312-ZW9-000	PACKING, HEAD COVER	1	1	1	1	1	1		
6	15611-921-000	CAP, OIL (NO GAUGE)	1	1	1	1	1	1		
7	16617-ZW9-000	HOLDER, CABLE	1	1	1	1	1	1	SC,SG	
	16617-ZW9-010		1	1	1	1	1	1	1001800 LHC,LHD	
			1	1	1	1	1	1	1001801 LHC,LHD	
8	35673-ZW5-003	SENSOR ASSY., WATER	1	1	1	1	1	1		
9	90003-ZW9-000	BOLT, FLANGE, 6X22	4	4	4	4	4	4		
10	90007-ZW9-003	BOLT, FLANGE, 8X83	6	6	6	6	6	6		
11	90011-ZW9-000	BOLT, FLANGE, 6X14(CT200)	1	1	1	1	1	1		
12	90020-ZW9-000	BOLT, FLANGE, 8X40	2	2	2	2	2	2		
13	91202-KJ9-003	OIL SEAL, 20X32X6	1	1	1	1	1	1		
14	91301-805-000	O-RING, 26X2.7	1	1	1	1	1	1		
15	91307-PK2-005	O-RING, 9.5X1.5(HONDA KIKAKI)	1	1	1	1	1	1		
16	98059-55916	PLUG, SPARK (CR5EH-9)	2	2	2	2	2	2		
	98059-55926	PLUG, SPARK (U16FER9)	2	2	2	2	2	2		

Service item F.R.T.

- O-RING, 26X2.7 ..... 0.1
- PLUG, SPARK ..... 0.2
- O-RING, 9.5X1.5 ..... 0.2
- SENSOR ASSY., WATER TEMPERATURE ..... 0.3
- COVER COMP., HEAD ..... 0.3
- PACKING, HEAD COVER ..... 1.8
- GASKET, CYLINDER HEAD ..... 2.4
- OIL SEAL, 20X32X6 ..... 2.4
- HEAD COMP., CYLINDER ..... 3.1

ZW83-50200

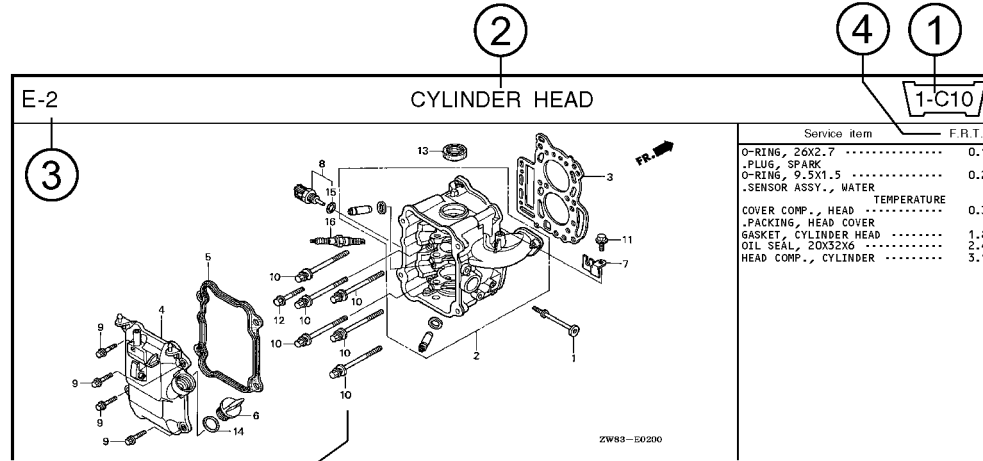
Page No. 2000.09.20 E

C Reference with "Part name index"

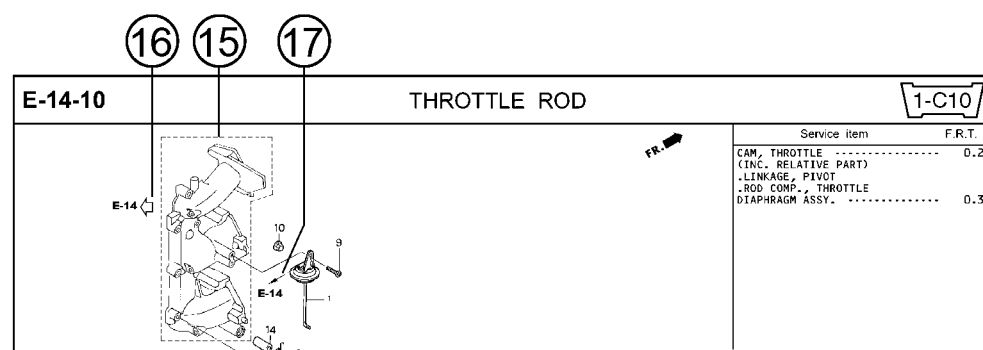
PART NAME INDEX

Part name	Address	Page	Ref.
[ A ]			
ABSORBER , FUEL	1-E15	62	5
ARMATURE COMP.	1-D11	43	7
ARM COMP. , LINK JOINT	1-G6	85	18
ARM COMP. , SHIFT LINK	1-G6	85	14
ARM COMP. , TILT	1-F15	79	20
ARM , FUEL PUMP ROCKER	1-C16	32	4
ARM , REVERSE LOCK	1-F15	79	18
ARM , SHIFT LINK	1-F11	74	7
ARM , STOPPER	1-D1	33	12
ARM , THROTTLE REMOTE	1-F11	74	6
ARM , VALVE ROCKER	1-C16	32	3
[ B ]			
BAG , TOOL , 160MM	1-G5	84	10
BAND	1-G6	86	37
BAND B1 , WIRE	1-F6	69	1
BAND , CORD	1-F3	67	18
BAND , TUBE CLIP , 11MM	1-E15	63	20
BAND , TUBE CLIP , 12.5MM	1-E15	63	19

**Part catalogue structure**

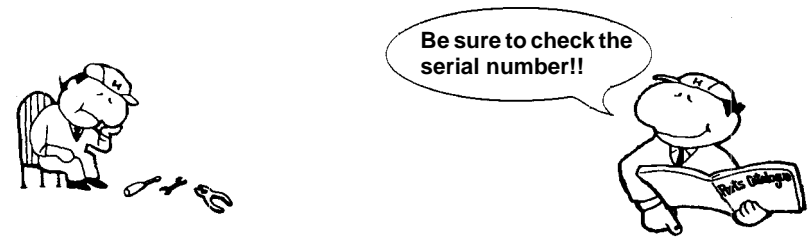


Ref. No.	Part No.	Description	Reqd. QTY						Serial No.	Parts catalogue code
			BF 9/9D1	BFP 9/9D1	BF 10D1	BFP 10D1	BF 10B1	BFP 10B1		
1	12166-ZW9-000	STOPPER, ENGINE SIDE	2	2	2	2	2	2		
2	12210-ZW9-000ZA	HEAD COMP., CYLINDER *NHS* ..... DARK GRAY	1	1	1	1	1	1		
3	12251-ZW9-003	GASKET, CYLINDER HEAD	1	1	1	1	1	1		
4	12310-ZW9-000	COVER COMP., HEAD	1	1	1	1	1	1		
5	12312-ZW9-000	PACKING, HEAD COVER	1	1	1	1	1	1		
6	15611-921-000	CAP, OIL (NO GAUGE)	1	1	1	1	1	1		
7	16617-ZW9-000	HOLDER, CABLE	1	1	1	1	1	1	SC,SG	
	16617-ZW9-010		1	1	1	1	1	1	1001800 LHC,LHD	



- ① **Address number**
  - Address No. is provided (in place of the page No.) to help you refer to the part with the part No. or part name.
- ② **Block title** ③ **Block number**
- ④ **Service item/Flat rate time**
- ⑤ **Reference number**
  - Title number marked with the parenthesis or parentheses indicates that it continues from the previous page.
- ⑥ **Part number** ⑦ **Honda color code**
- ⑧ **Description**
- ⑨ **Assemblies**
  - Sections framed with broken lines in the exploded view drawings are available as complete assemblies. (Their individual parts can also be obtained.)
- ⑩ **Color description**
- ⑪ **Note**
  - Notes are shown with the parentheses in the part name column.
- ⑫ **Required quantity**
  - Required QTY shown in the parenthesis or parentheses indicates the optional part.
  - Required QTY marked with "N" Indicates the optional part that should be selected as needed.
  - Required QTY indicates the number of the part used in the block.
- ⑬ **Serial number**
- ⑭ **Type**
  - When the type column is blank, it indicates that the part is applicable to all types.
  - As the type of the actual unit may differ from the "parts catalogue, type" please refer to "Models, types and applicable serial numbers" for confirmation.
- ⑮
  - Parts enclosed within a dotted line are covered in a different block.
- ⑯
  - A hollow arrow indicates the block No. for the parts enclosed within a dotted line .
- ⑰
  - A solid arrow indicates the block No. the part in question is connected to.

**When the parts were revised**



Ref. No.	Part No.	Description	Reqd. QTY						Serial No.
			BF 99D1	BFP 9.9D1	BF 10D1	BFP 10D1	BF 10B1	BFP 10B1	
1	12166-ZW9-000	STOPPER, ENGINE SIDE .....	2	2	2	2	2	2	
2	12210-ZW9-000ZA	HEAD COMP., CYLINDER *NHS* .....	1	1	1	1	1	1	
3	12251-ZW9-003	GASKET, CYLINDER HEAD .....	1	1	1	1	1	1	
4	12310-ZW9-000	COVER COMP., HEAD .....	1	1	1	1	1	1	
5	12312-ZW9-000	PACKING, HEAD COVER .....	1	1	1	1	1	1	
6	15611-921-000	CAP, OIL (NO GAUGE) .....	1	1	1	1	1	1	
7	16617-ZW9-000	HOLDER, CABLE (###) .....	1	1	1	1	1	1	SC, SG LHC, LHD LHC, LHD
	16617-ZW9-010	.....	1	1	1	1	1	1	

The number has been used from the initial model without revision.

When shown at the left side, it is applicable to the models of No.1001801 and the subsequent numbers.

When shown at the right side, it is applicable to the models up to No.1001800.

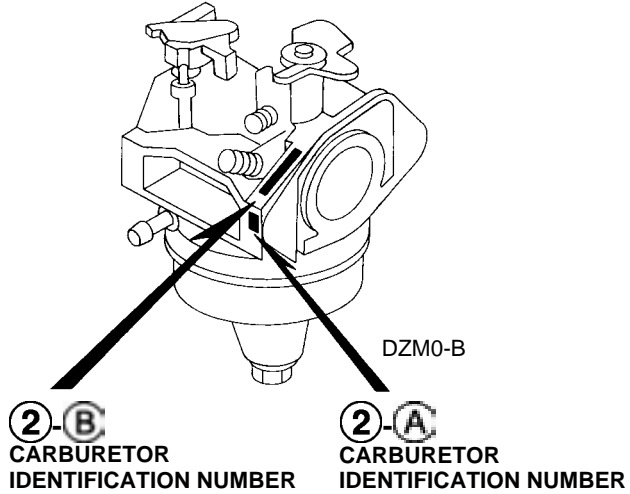
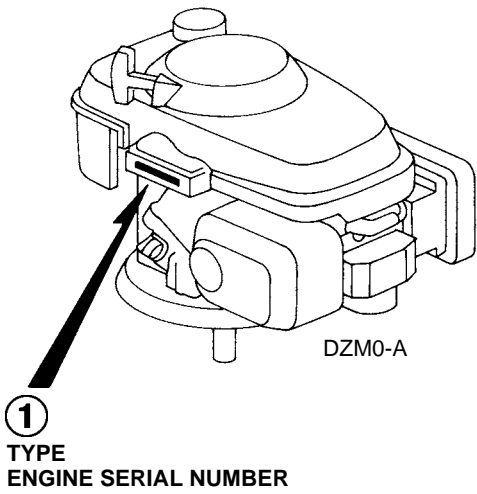
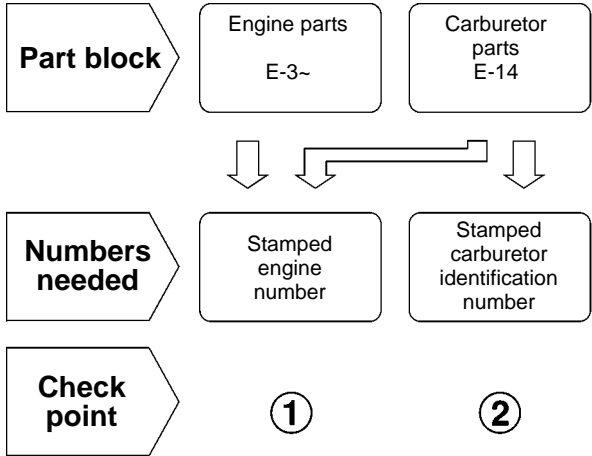
• The parts listed with "###" at the end of the parts name have limited supply period (parts not for sale).

**Abbreviations used in the parts catalogue**

• The following abbreviations are used in the parts name column.

- A ..... Ampere
- A.C. .... Alternating current
- ASSY. .... Assembly
- AT. .... Automatic transmission
- C.D.I. .... Capacitive discharge ignition
- COMP. ... Complete
- D.C. .... Direct current
- EX. .... Exhaust
- G.F.C.I ... Ground fault circuit interruptor
- HEX. .... Hexagonal
- H.S.T. .... Hydrostatic transmission
- FR. ....Front
- IN. ....Inlet
- L (100L) .Link (100 Links)
- L. ....Left
- MM .....Millimeter
- MT. ....Manual Transmission
- P.T.O. ....Power take off
- R. ....Right
- RR. ....Rear
- STD. ....Standard
- T (22T) ...Tooth (22 Teeth)
- V .....Volt
- W .....Watt

How to check the part block and serial numbers





**Models, parts catalogue codes and applicable serial numbers**

- Models, parts catalogue codes and applicable serial Nos. given in this parts catalogue can be identified as follows.

Model	Type	Parts catalogue type	Applicable engine serial No.	Applicable carburetor identification No.
GCV160	A1A	A1A	GJAE-1000001~9999999	BB62B C / D
	A1C	A1C		
	A1E	A1E		BB62A C / D BB62B D
	A1E7	A1E7		BB62B D
	A1E8	A1E8		
	A1G7	A1G7		
	A1J	A1J		BB62A C / D BB62B D
	A1P	A1P		
	A1U	A1U		BB62B D
	A1W2	A1W2		
	A1W7	A1W7		
	A2A	A2A		
	A2C	A2C		BB62A C / D BB62B D
	A2E	A2E		
A2E4	A2E4	BB62B D		

Model	Type	Parts catalogue type	Applicable engine serial No.	Applicable carburetor identification No.
GCV160	A2E7	A2E7	GJAE-1000001~9999999	BB62B D
	A2E8	A2E8		
	A2E9	A2E9		
	A2G7	A2G7		
	A2R	A2R		
	A2U	A2U		
	A3E	A3E	GJAE-1000001~1000107	BB62A C / D BB62B D
	A4E	A4E		
	A7E1	A7E1	GJAE-1000001~9999999	BB62F A
	N1	N1		BB62A C / D BB62B D
	N1D	N1D		
	N1E1	N1E1		
	N1E2	N1E2		
	N1E7	N1E7		
	N1J1	N1J1		

Model	Type	Parts catalogue type	Applicable engine serial No.	Applicable carburetor identification No.
GCV160	N1R	N1R	GJAE-1000001~9999999	BB62B D
	N1U	N1U		BB62A C / D BB62B D
	N1W	N1W		BB62B D
	N1W1	N1W1		
	N1W2	N1W2		
	N1W7	N1W7		BB62B D
	N1W8	N1W8		
	N1W9	N1W9		
	N2	N2		BB62A C / D BB62B D
	N2D	N2D		
	N2E	N2E		
	N2E1	N2E1		
	N2E2	N2E2		
	N2E3	N2E3		
	N2E7	N2E7		
	N2E8	N2E8		
	N2E9	N2E9		

Model	Type	Parts catalogue type	Applicable engine serial No.	Applicable carburetor identification No.
GCV160	N2U	N2U	GJAE-1000001~9999999	BB62A C / D BB62B D
	N3U	N3U		BB62B D
	N3V	N3V		BB62A C / D BB62B D
	N7A1	N7A1		BB62F A
GCV160A	A1A	A1A	GJAEA-1000001~5386302	BB62B D / E BB62W A
	A1AE	A1AE	GJAEA-1000001~	BB62B D BB62H A / B BB65A A
	A1AF	A1AF	GJAEA-1000001~5386302	
	A1AS	A1AS	GJAEA-1000001~	BB62B D / E BB62W A
	A1AW	A1AW		BB62W A / B
	A1C	A1C	GJAEA-1000001~6699999	BB62B D / E BB62W A
	A1E	A1E	GJAEA-1000001~	BB62B D / E
	A1E7	A1E7		BB62B D / E BB62W A / B
	A1E8	A1E8	GJAEA-1000001~6699999	BB62B D / E
	A1M	A1M	GJAEA-1000001~	BB62B E BB62W A / B
	A1W7	A1W7	GJAEA-1000001~6699999	BB62B D / E
	A2A	A2A		BB62B D / E BB62W A
	A2C	A2C		

Model	Type	Parts catalogue type	Applicable engine serial No.	Applicable carburetor identification No.
GCV160A	A2E7	A2E7	GJAEA-1000001~	BB62B D / E BB62W A / B
	A2E8	A2E8	GJAEA-1000001~6699999	BB62B D / E
	A2E9	A2E9		
	A2G7	A2G7		
	A2R	A2R		
	A3A	A3A	GJAEA-1000001~6699999	BB62B D BB62H A / B BB65A A
	A3E	A3E		BB62B D / E
	A7E1	A7E1		BB62F A / B
	BHH	BHH	GJAEA-1000001~5386302	BB62B D / E BB62W A
	BHH1	BHH1	GJAEA-1000001~	BB62W A / B
	C1E	C1E		BB62B E BB62W A / B
	C1E1	C1E1		
	C2E	C2E		
	C2E1	C2E1		
	C3E	C3E		
	C3E1	C3E1	BB62W A / B	

Model	Type	Parts catalogue type	Applicable engine serial No.	Applicable carburetor identification No.
GCV160A	C4E	C4E	GJAEA-1000001~	BB62W A / B
	C4E1	C4E1		
	EHHB	EHHB	GJAEA-8000001~8018819	BB62B D / E
	E1A2	E1A2		
	E1A4	E1A4		
	E1G7	E1G7		
	E2G7	E2G7	GJAEA-8000001~	
	E5A4	E5A4	GJAEA-8000001~8018819	
	NBL1	NBL1	GJAEA-1000001~	BB62B E BB62W A
	N1A	N1A	GJAEA-1000001~5386302	BB62B D / E BB62W A
	N1AF	N1AF		BB62B D BB62H A / B BB65A A
	N1C	N1C	GJAEA-1000001~6699999	BB62B D / E BB62W A
	N1E1	N1E1		BB62B D / E
	N1E7	N1E7		
	N1L	N1L	GJAEA-1000001~	BB62B E BB62W A / B
	N1R	N1R		BB62B D / E BB62W A / B

Model	Type	Parts catalogue type	Applicable engine serial No.	Applicable carburetor identification No.
GCV160A	N1U	N1U	GJAEA-1000001~	BB62B D / E BB62W A / B
	N1W7	N1W7	GJAEA-1000001~6699999	BB62B D / E
	N1W8	N1W8		
	N1W9	N1W9		
	N2E7	N2E7		
	N2E8	N2E8		
	N2E9	N2E9		
	N2U	N2U		
	N3U	N3U		
	N3V	N3V		
	N5A	N5A	BB62B D / E BB62W A	
	N5AF	N5AF	GJAEA-1000001~5386302	BB62B D BB62H A / B BB65A A
	N5C	N5C	GJAEA-1000001~6699999	BB62B D / E BB62W A
	N5MF	N5MF	GJAEA-1000001~5386302	BB65A A
	N5R	N5R		
	N7A1	N7A1		

Model	Type	Parts catalogue type	Applicable engine serial No.	Applicable carburetor identification No.	
GCV160A	N7S1	N7S1	GJAEA-1000001~5386302	BB62F B	
	RTL1	RTL1	GJAEA-1000001~	BB62G B BB62Z A	
	R1A	R1A	GJAEA-8000001~8018819	BB62G A / B BB62Z A	
	R3A	R3A			
	R3A1	R3A1			
	STA1	STA1	GJAEA-1000001~6699999		
	STL1	STL1	GJAEA-1000001~	BB62G B BB62Z A	
	S1A	S1A	GJAEA-1000001~5386302	BB62G A / B BB62Z A	
	S1A1	S1A1	GJAEA-1000001~6699999		
	S1M	S1M	GJAEA-1000001~5386302	BB65E A	
	S2G7	S2G7	GJAEA-1000001~	BB65E A / B	
	S3A	S3A	GJAEA-1000001~5386302	BB62G A / B BB62Z A	
	S3A2	S3A2	GJAEA-1000001~	BB62S A BB65E A	
	S3H	S3H	GJAEA-1000001~5386302		
	S3H2	S3H2	GJAEA-1000001~	BB62G B BB62Z B	
	GCV160A0	A1AW	A1AW	GJAPA-1000001~	BB62W B
		A1E7	A1E7		

1

Model	Type	Parts catalogue type	Applicable engine serial No.	Applicable carburetor identification No.
GCV160A0	A1M	A1M	GJAPA-1000001~	BB62W B
	A2E7	A2E7		
	BHH1	BHH1		
	C1E	C1E		
	C1E1	C1E1		
	C2E	C2E		
	C2E1	C2E1		
	C3E	C3E		
	C3E1	C3E1		
	C4E	C4E		
	C4E1	C4E1		
	E2G7	E2G7		
	N1L	N1L		
	N1R	N1R		
	N1U	N1U		
N2U	N2U			
N3U	N3U			

Model	Type	Parts catalogue type	Applicable engine serial No.	Applicable carburetor identification No.
GCV160A0	N3V	N3V	GJAPA-1000001~	BB62W B
	S2G7	S2G7		BB75E A
	S3H2	S3H2		BB62Z B
GCV160E	A1E7	A1E7	GJAAE-1000001~	BB62B D / E BB62W A
	A1E8	A1E8		
	A1G7	A1G7		
	A1G9	A1G9		
	A1P	A1P		
	A1W7	A1W7		
	A2A9	A2A9	GJAAE-1000001~2075802	BB62B D / E
	A2E7	A2E7	GJAAE-1000001~	BB62B D / E BB62W A
	A2E8	A2E8		
	A2E9	A2E9		
	A2G4	A2G4		
	A2G7	A2G7		
	A2G9	A2G9		
	A2R	A2R		

Model	Type	Parts catalogue type	Applicable engine serial No.	Applicable carburetor identification No.
GCV160E	A3E7	A3E7	GJAAE-1000001~	BB62B D / E BB62W A
	A3E9	A3E9		BB62B E BB62W A
	A3G9	A3G9		BB62W A
	A3T9	A3T9		BB62B E BB62W A
	A3W7	A3W7		
	A3W8	A3W8		BB62W A
	A4G4	A4G4		
	A4G7	A4G7		
	A4G9	A4G9		BB62F A / B BB62Y A
	A7E1	A7E1		BB62B D / E BB62W A
	N1D	N1D		
	N1E1	N1E1		
	N1E2	N1E2		
	N1E7	N1E7		
	N1J1	N1J1		
	N1R	N1R		
N1T8	N1T8			

Model	Type	Parts catalogue type	Applicable engine serial No.	Applicable carburetor identification No.	
GCV160E	N1T9	N1T9	GJAAE-1000001~	BB62B D / E BB62W A	
	N1W7	N1W7			
	N1W8	N1W8			
	N1W9	N1W9			
	N2E7	N2E7			
	N2E8	N2E8			
	N2E9	N2E9		BB62B E BB62W A	
	N3T8	N3T8			
	N3T9	N3T9			
	N3W8	N3W8		GJAAE-1000001~2075802	BB62F A / B BB62Y A
	N3W9	N3W9			
	N7A1	N7A1			
	S1E1	S1E1	BB62G A / B BB62Z B		
	S1G4	S1G4	BB75D A		
	S2E	S2E	GJAAE-1000001~	BB62G A / B	
	S2E1	S2E1		BB62G A / B BB62Z B	
	S2E2	S2E2		BB65E A	

1

Model	Type	Parts catalogue type	Applicable engine serial No.	Applicable carburetor identification No.
GCV160E	S2E3	S2E3	GJAAE-1000001~	BB65K A
	S3E9	S3E9		BB65E A
	S3G9	S3G9		BB65K A
	S4E4	S4E4		BB65E A
	S4E9	S4E9		BB65K A
	S4G4	S4G4		
	S4G9	S4G9		
GCV160LE	A2A9	A2A9	GJAAE-2075803~	BB62W A
	A4A9	A4A9		BB62Y B
	A7H1	A7H1		
	N7A1	N7A1		
GCV160LA	A1A	A1A	GJAEA-5386303~	BB62W A / B
	A1AF	A1AF		BB65A A / B
	A2R	A2R		BB62W A / B
	BHH	BHH	GJAEA-8018820~	BB62W A
	E1A2	E1A2		
	N1A	N1A		

Model	Type	Parts catalogue type	Applicable engine serial No.	Applicable carburetor identification No.
GCV160LA	N1AF	N1AF	GJAEA-5386303~	BB65A A / B
	N5AF	N5AF		
	N5MF	N5MF		
	N5R	N5R		BB65A A / B
	N7A1	N7A1		BB62Y A
	N7S1	N7S1		
	R3A	R3A	GJAEA-8018820~	BB62Z A
	S1A	S1A	GJAEA-5386303~	BB62Z A / B
	S1M	S1M		BB65E A / B
	S3A	S3A		BB62Z A / B
S3H	S3H	BB65E A / B		
GCV160LA0	A1A	A1A	GJARA-1000001~	BB62W B
	A1AF	A1AF		BB65A B
	A2R	A2R		BB62W B
	BHH	BHH		
	E1A2	E1A2		
	N1A	N1A		

Model	Type	Parts catalogue type	Applicable engine serial No.	Applicable carburetor identification No.
GCV160LA0	N1AF	N1AF	GJARA-1000001~	BB65A B
	N5AF	N5AF		
	N5MF	N5MF		
	N5R	N5R		BB62Y B
	N7A1	N7A1		
	N7S1	N7S1		BB62Z B
	R3A	R3A		
	S1A	S1A		BB75E A
	S1M	S1M		
	S3A	S3A		BB62Z B
S3H	S3H			

\* Of carburetor identification numbers, only the portions underlined in the example below are used for registration.

BB 62B C KC ナ  
 Ⓐ Ⓑ



## Features of each type

- See the following table for the features of each type. (Items in brackets are optional)

Specifications		Model	GCV160															
		Type	A1A	A1C	A1E	A1E7	A1E8	A1G7	A1J	A1P	A1U	A1W2	A1W7	A2A	A2C	A2E	A2E4	
Crankshaft	20mm Ø Straight (133.8mm)																	
	22.2mm Ø Straight (100.4mm)																	
	22.2mm Ø Straight (117.4mm) (Depth 24mm)												●	●	●	●		
	22.2mm Ø Straight (117.4mm) (Depth 52mm)																	
	22.2mm Ø Straight (135.7mm)	●	●	●	●	●	●	●	●	●	●	●						
	25mm Ø Straight (117.4mm)																	
	25mm Ø Straight (135.7mm) (3/8-24 UNF)																	
	25mm Ø Straight (135.7mm) (7/16-20 UNF)																	
	M14 Stepped thread (137.4mm)																	
Recoil starter																		
Recoil starter (Long rope)		●	●	●	●	●	●	●	●	●	●	●	●	●	●	●	●	
Flywheel brake		●	●	●	●	●	●	●	●	●	●	●	●	●	●	●	●	
Starter motor																		

Specifications		Model	GCV160															
		Type	A2E7	A2E8	A2E9	A2G7	A2R	A2U	A3E	A4E	A7E1	N1	N1D	N1E1	N1E2	N1E7	N1J1	
Crankshaft	20mm Ø Straight (133.8mm)																	
	22.2mm Ø Straight (100.4mm)																	
	22.2mm Ø Straight (117.4mm) (Depth 24mm)	●	●	●	●	●	●											
	22.2mm Ø Straight (117.4mm) (Depth 52mm)									●								
	22.2mm Ø Straight (135.7mm)										●	●	●	●	●	●	●	
	25mm Ø Straight (117.4mm)									●								
	25mm Ø Straight (135.7mm) (3/8-24 UNF)								●									
	25mm Ø Straight (135.7mm) (7/16-20 UNF)																	
	M14 Stepped thread (137.4mm)																	
	Recoil starter						●				●		●	●	●	●	●	●
Recoil starter (Long rope)	●	●	●	●			●	●	●		●							
Flywheel brake	●	●	●	●			●	●	●	●	●							
Starter motor																		

Specifications		Model	GCV160															
		Type	N1R	N1U	N1W	N1W1	N1W2	N1W7	N1W8	N1W9	N2	N2D	N2E	N2E1	N2E2	N2E3	N2E7	
Crankshaft	20mm Ø Straight (133.8mm)																	
	22.2mm Ø Straight (100.4mm)																	
	22.2mm Ø Straight (117.4mm) (Depth 24mm)										●	●	●	●	●	●	●	
	22.2mm Ø Straight (117.4mm) (Depth 52mm)																	
	22.2mm Ø Straight (135.7mm)	●	●	●	●	●	●	●	●									
	25mm Ø Straight (117.4mm)																	
	25mm Ø Straight (135.7mm) (3/8-24 UNF)																	
	25mm Ø Straight (135.7mm) (7/16-20 UNF)																	
	M14 Stepped thread (137.4mm)																	
	Recoil starter		●									●	●	●	●	●	●	●
Recoil starter (Long rope)	●		●	●	●	●	●	●	●	●								
Flywheel brake										●								
Starter motor																		

Specifications		Model	GCV160					GCV160A									
		Type	N2E8	N2E9	N2U	N3U	N3V	N7A1	A1A	A1AE	A1AF	A1AS	A1AW	A1C	A1E	A1E7	A1E8
Crankshaft	20mm Ø Straight (133.8mm)																
	22.2mm Ø Straight (100.4mm)																
	22.2mm Ø Straight (117.4mm) (Depth 24mm)	●	●	●													
	22.2mm Ø Straight (117.4mm) (Depth 52mm)						●										
	22.2mm Ø Straight (135.7mm)							●	●	●	●	●	●	●	●	●	●
	25mm Ø Straight (117.4mm)																
	25mm Ø Straight (135.7mm) (3/8-24 UNF)				●	●											
	25mm Ø Straight (135.7mm) (7/16-20 UNF)																
	M14 Stepped thread (137.4mm)																
	Recoil starter		●	●	●		●	●									
Recoil starter (Long rope)					●			●	●	●	●	●	●	●	●	●	●
Flywheel brake								●	●	●	●	●	●	●	●	●	●
Starter motor																	

1

Specifications		Model	GCV160A													
		Type	A1M	A1W7	A2A	A2C	A2E7	A2E8	A2E9	A2G7	A2R	A3A	A3E	A7E1	BHH	BHH1
Crankshaft	20mm Ø Straight (133.8mm)													●	●	
	22.2mm Ø Straight (100.4mm)															
	22.2mm Ø Straight (117.4mm) (Depth 24mm)			●	●	●	●	●	●	●						
	22.2mm Ø Straight (117.4mm) (Depth 52mm)												●			
	22.2mm Ø Straight (135.7mm)	●	●													●
	25mm Ø Straight (117.4mm)															
	25mm Ø Straight (135.7mm) (3/8-24 UNF)											●	●			
	25mm Ø Straight (135.7mm) (7/16-20 UNF)															
	M14 Stepped thread (137.4mm)															
	Recoil starter										●			●		
Recoil starter (Long rope)	●	●	●	●	●	●	●	●	●		●	●		●	●	●
Flywheel brake	●	●	●	●	●	●	●	●			●	●	●			●
Starter motor																●

Specifications		Model	GCV160A															
		Type	C1E1	C2E	C2E1	C3E	C3E1	C4E	C4E1	EHHB	E1A2	E1A4	E1G7	E2G7	E5A4	NBL1	N1A	
Crankshaft	20mm Ø Straight (133.8mm)									●								
	22.2mm Ø Straight (100.4mm)														●			
	22.2mm Ø Straight (117.4mm) (Depth 24mm)		●	●									●					
	22.2mm Ø Straight (117.4mm) (Depth 52mm)																	
	22.2mm Ø Straight (135.7mm)	●									●	●	●				●	
	25mm Ø Straight (117.4mm)						●	●										
	25mm Ø Straight (135.7mm) (3/8-24 UNF)				●	●												
	25mm Ø Straight (135.7mm) (7/16-20 UNF)																	
	M14 Stepped thread (137.4mm)																●	
	Recoil starter		●		●		●		●			●			●			●
Recoil starter (Long rope)			●		●		●		●	●		●	●		●			
Flywheel brake		●	●	●	●	●	●	●		●		●	●					
Starter motor		●	●	●	●	●	●	●	●	●	●	●	●	●				

1

Specifications		Model	GCV160A														
		Type	N1AF	N1C	N1E1	N1E7	N1L	N1R	N1U	N1W7	N1W8	N1W9	N2E7	N2E8	N2E9	N2U	N3U
Crankshaft	20mm Ø Straight (133.8mm)																
	22.2mm Ø Straight (100.4mm)																
	22.2mm Ø Straight (117.4mm) (Depth 24mm)											●	●	●	●		
	22.2mm Ø Straight (117.4mm) (Depth 52mm)																
	22.2mm Ø Straight (135.7mm)	●	●	●	●	●	●	●	●	●	●						
	25mm Ø Straight (117.4mm)																
	25mm Ø Straight (135.7mm) (3/8-24 UNF)																●
	25mm Ø Straight (135.7mm) (7/16-20 UNF)																
	M14 Stepped thread (137.4mm)																
	Recoil starter		●	●	●	●	●		●				●	●	●	●	
Recoil starter (Long rope)							●		●	●	●						●
Flywheel brake																	
Starter motor																	

Specifications		Model	GCV160A															
		Type	N3V	N5A	N5AF	N5C	N5MF	N5R	N7A1	N7S1	RTL1	R1A	R3A	R3A1	STA1	STL1	S1A	
Crankshaft	20mm Ø Straight (133.8mm)																	
	22.2mm Ø Straight (100.4mm)		●	●	●	●	●											
	22.2mm Ø Straight (117.4mm) (Depth 24mm)																	
	22.2mm Ø Straight (117.4mm) (Depth 52mm)							●	●									
	22.2mm Ø Straight (135.7mm)										●						●	
	25mm Ø Straight (117.4mm)																	
	25mm Ø Straight (135.7mm) (3/8-24 UNF)	●											●					
	25mm Ø Straight (135.7mm) (7/16-20 UNF)										●			●	●	●		
	M14 Stepped thread (137.4mm)																	
	Recoil starter			●	●	●	●	●	●	●								
Recoil starter (Long rope)										●	●	●	●	●	●	●	●	
Flywheel brake										●	●	●	●	●	●	●	●	
Starter motor										●	●	●	●					

1



1

Specifications		Model	GCV160A						GCV160A0							
		Type	S1A1	S1M	S2G7	S3A	S3A2	S3H	S3H2	A1AW	A1E7	A1M	A2E7	BHH1	C1E	C1E1
Crankshaft	20mm Ø Straight (133.8mm)												●			
	22.2mm Ø Straight (100.4mm)															
	22.2mm Ø Straight (117.4mm) (Depth 24mm)			●								●				●
	22.2mm Ø Straight (117.4mm) (Depth 52mm)															
	22.2mm Ø Straight (135.7mm)	●	●						●	●	●			●	●	
	25mm Ø Straight (117.4mm)															
	25mm Ø Straight (135.7mm) (3/8-24 UNF)				●	●	●	●								
	25mm Ø Straight (135.7mm) (7/16-20 UNF)															
	M14 Stepped thread (137.4mm)															
	Recoil starter	●														●
Recoil starter (Long rope)		●	●	●	●	●	●	●	●	●	●	●	●	●		●
Flywheel brake	●	●	●	●	●	●	●	●	●	●	●			●	●	●
Starter motor														●	●	●

Specifications		Model	GCV160A0														
		Type	C2E1	C3E	C3E1	C4E	C4E1	E2G7	N1L	N1R	N1U	N2U	N3U	N3V	S2G7	S3H2	
Crankshaft	20mm Ø Straight (133.8mm)																
	22.2mm Ø Straight (100.4mm)																
	22.2mm Ø Straight (117.4mm) (Depth 24mm)	●					●				●			●			
	22.2mm Ø Straight (117.4mm) (Depth 52mm)																
	22.2mm Ø Straight (135.7mm)							●	●	●							
	25mm Ø Straight (117.4mm)				●	●											
	25mm Ø Straight (135.7mm) (3/8-24 UNF)		●	●									●	●		●	
	25mm Ø Straight (135.7mm) (7/16-20 UNF)																
	M14 Stepped thread (137.4mm)																
Recoil starter		●		●		●		●		●	●		●				
Recoil starter (Long rope)			●		●		●		●			●		●	●		
Flywheel brake		●	●	●	●	●	●							●	●		
Starter motor		●	●	●	●	●	●										

1

Specifications		Model	GCV160E														
		Type	A1E7	A1E8	A1G7	A1G9	A1P	A1W7	A2A9	A2E7	A2E8	A2E9	A2G4	A2G7	A2G9	A2R	A3E7
Crankshaft	20mm Ø Straight (133.8mm)																
	22.2mm Ø Straight (100.4mm)																
	22.2mm Ø Straight (117.4mm) (Depth 24mm)							●	●	●	●	●	●	●	●		
	22.2mm Ø Straight (117.4mm) (Depth 52mm)																
	22.2mm Ø Straight (135.7mm)	●	●	●	●	●	●										
	25mm Ø Straight (117.4mm)																
	25mm Ø Straight (135.7mm) (3/8-24 UNF)																●
	25mm Ø Straight (135.7mm) (7/16-20 UNF)																
	M14 Stepped thread (137.4mm)																
	Recoil starter				●			●				●		●	●		
Recoil starter (Long rope)	●	●	●		●	●		●	●	●		●				●	
Flywheel brake	●	●	●	●	●	●	●	●	●	●	●	●	●			●	
Starter motor																	

Specifications		Model	GCV160E															
		Type	A3E9	A3G9	A3T9	A3W7	A3W8	A4G4	A4G7	A4G9	A7E1	N1D	N1E1	N1E2	N1E7	N1J1	N1R	
Crankshaft	20mm Ø Straight (133.8mm)																	
	22.2mm Ø Straight (100.4mm)																	
	22.2mm Ø Straight (117.4mm) (Depth 24mm)																	
	22.2mm Ø Straight (117.4mm) (Depth 52mm)									●								
	22.2mm Ø Straight (135.7mm)										●	●	●	●	●	●		
	25mm Ø Straight (117.4mm)						●	●	●									
	25mm Ø Straight (135.7mm) (3/8-24 UNF)	●	●	●	●	●												
	25mm Ø Straight (135.7mm) (7/16-20 UNF)																	
	M14 Stepped thread (137.4mm)																	
	Recoil starter		●	●				●		●	●	●	●	●	●	●		
Recoil starter (Long rope)				●	●	●		●									●	
Flywheel brake		●	●	●	●	●	●	●	●									
Starter motor																		

1

Specifications		Model	GCV160E															
		Type	N1T8	N1T9	N1W7	N1W8	N1W9	N2E7	N2E8	N2E9	N3T8	N3T9	N3W8	N3W9	N7A1	S1E1	S1G4	
Crankshaft	20mm Ø Straight (133.8mm)																	
	22.2mm Ø Straight (100.4mm)																	
	22.2mm Ø Straight (117.4mm) (Depth 24mm)						●	●	●									
	22.2mm Ø Straight (117.4mm) (Depth 52mm)													●				
	22.2mm Ø Straight (135.7mm)	●	●	●	●	●									●	●		
	25mm Ø Straight (117.4mm)																	
	25mm Ø Straight (135.7mm) (3/8-24 UNF)										●	●	●	●				
	25mm Ø Straight (135.7mm) (7/16-20 UNF)																	
	M14 Stepped thread (137.4mm)																	
	Recoil starter							●	●	●					●	●	●	
Recoil starter (Long rope)		●	●	●	●	●				●	●	●	●					
Flywheel brake															●			
Starter motor																		

Specifications		Model	GCV160E									GCV160LE				
		Type	S2E	S2E1	S2E2	S2E3	S3E9	S3G9	S4E4	S4E9	S4G4	S4G9	A2A9	A4A9	A7H1	N7A1
Crankshaft	20mm Ø Straight (133.8mm)															
	22.2mm Ø Straight (100.4mm)															
	22.2mm Ø Straight (117.4mm) (Depth 24mm)	●	●	●	●							●				
	22.2mm Ø Straight (117.4mm) (Depth 52mm)														●	●
	22.2mm Ø Straight (135.7mm)															
	25mm Ø Straight (117.4mm)							●	●	●	●			●		
	25mm Ø Straight (135.7mm) (3/8-24 UNF)					●	●									
	25mm Ø Straight (135.7mm) (7/16-20 UNF)															
	M14 Stepped thread (137.4mm)															
	Recoil starter		●	●	●	●	●	●	●	●	●				●	●
Recoil starter (Long rope)	●											●	●			
Flywheel brake	●	●	●	●	●	●	●	●	●	●	●	●	●	●		
Starter motor																

Specifications		Model	GCV160LA															
		Type	A1A	A1AF	A2R	BHH	E1A2	N1A	N1AF	N5AF	N5MF	N5R	N7A1	N7S1	R3A	S1A	S1M	
Crankshaft	20mm Ø Straight (133.8mm)				●													
	22.2mm Ø Straight (100.4mm)								●	●	●							
	22.2mm Ø Straight (117.4mm) (Depth 24mm)			●														
	22.2mm Ø Straight (117.4mm) (Depth 52mm)											●	●					
	22.2mm Ø Straight (135.7mm)	●	●			●	●	●								●	●	
	25mm Ø Straight (117.4mm)																	
	25mm Ø Straight (135.7mm) (3/8-24 UNF)														●			
	25mm Ø Straight (135.7mm) (7/16-20 UNF)																	
	M14 Stepped thread (137.4mm)																	
	Recoil starter				●			●	●	●	●	●	●	●				
Recoil starter (Long rope)		●	●		●	●								●	●	●		
Flywheel brake		●	●			●								●	●	●		
Starter motor						●								●				

Specifications		Model	GCV160LA0														
		Type	S3A	S3H	A1A	A1AF	A2R	BHH	E1A2	N1A	N1AF	N5AF	N5MF	N5R	N7A1	N7S1	R3A
Crankshaft	20mm Ø Straight (133.8mm)						●										
	22.2mm Ø Straight (100.4mm)										●	●	●				
	22.2mm Ø Straight (117.4mm) (Depth 24mm)					●											
	22.2mm Ø Straight (117.4mm) (Depth 52mm)													●	●		
	22.2mm Ø Straight (135.7mm)			●	●			●	●	●							
	25mm Ø Straight (117.4mm)																
	25mm Ø Straight (135.7mm) (3/8-24 UNF)	●	●														●
	25mm Ø Straight (135.7mm) (7/16-20 UNF)																
	M14 Stepped thread (137.4mm)																
	Recoil starter					●			●	●	●	●	●	●	●	●	
Recoil starter (Long rope)	●	●	●	●		●	●									●	
Flywheel brake	●	●	●	●			●									●	
Starter motor							●									●	



1

Specifications		Model	GCV160LA0			
		Type	S1A	S1M	S3A	S3H
Crankshaft	20mm Ø Straight (133.8mm)					
	22.2mm Ø Straight (100.4mm)					
	22.2mm Ø Straight (117.4mm) (Depth 24mm)					
	22.2mm Ø Straight (117.4mm) (Depth 52mm)					
	22.2mm Ø Straight (135.7mm)	●	●			
	25mm Ø Straight (117.4mm)					
	25mm Ø Straight (135.7mm) (3/8-24 UNF)			●	●	
	25mm Ø Straight (135.7mm) (7/16-20 UNF)					
	M14 Stepped thread (137.4mm)					
	Recoil starter					
Recoil starter (Long rope)	●	●	●	●		
Flywheel brake	●	●	●	●		
Starter motor						

## Fuel hose, general purpose hoses and vinyl hose

- The standard part fuel hose, general purpose hose and vinyl hose may be substituted by the coiled bulk part.
- When ordering the standard part fuel hose, general purpose hose and vinyl hose use the bulk part number written in the parts catalog in brackets ( ) underneath the part name.
- When exchanging the hose, cut and use at the specified length as mentioned in the part name.  
(For the method of cutting the bulk part, and method of filling out orders etc., please refer to the instructions issued with the bulk part.)

### Bulk part number of fuel hose, general purpose hose and vinyl hose.

Example: 9 5 0 0 1 - 7 5 0 0 1 - 5 0 M

**Bulk part number:**  
Refers to the bulk part.

**Marking code (fuel hose and general purpose hose)**

**Change code (Vinyl hose)**

Indicates number mark or change sequence, however, the code for the bulk part must be strictly 0 (zero).

**Types of code:**

- Fuel hose
  - 2: Red outside braid (3 mm inside dia. only)
  - 5: Black inside braid
  - 3: Red (3 mm inside dia. only)
  - 4: Ash gray with red stripe (3 mm inside dia. only)
  - 6: Black

- General hose
  - 1: Ash gray
  - 2: Ash gray
  - 3: Black
  - 5: Black

- Vinyl hose
  - 1: Clear
  - 2: Black
  - 3: Light red
  - 6: Light red
  - 7: Pale black

**Lengths:**

- 001: 1 m (standard)
  - 003: 3 m
  - 008: 8 m
- Application or specification of some parts is not settled.

**I.D code: (fuel hose and general purpose hose)**

- |            |                    |                    |                             |                             |
|------------|--------------------|--------------------|-----------------------------|-----------------------------|
| 30: 3.0 mm | 50: 5.0 mm         | 70: 7.0 mm         | 11: 11 mm                   | 12: 12 (outside dia. 17) mm |
| 35: 3.5 mm | 55: 5.3 mm, 5.5 mm | 75: 7.3 mm, 7.5 mm | 91: 12 (outside dia. 15) mm | 14: 14 mm                   |
| 45: 4.5 mm | 65: 6.5 mm         | 80: 8.0 mm         | 92: 12 (outside dia. 16) mm | 17: 17 mm                   |

**ID./OD. code: (vinyl hose)**

- |                         |                          |                           |                           |                           |
|-------------------------|--------------------------|---------------------------|---------------------------|---------------------------|
| 01: ID. 2.9, OD. 6.8 mm | 12: ID. 5.0, OD. 7.0 mm  | 21: ID. 8.0, OD. 9.0 mm   | 37: ID. 11.0, OD. 15.0 mm | 50: ID. 16.0, OD. 19.0 mm |
| 03: ID. 3.0, OD. 6.0 mm | 10: ID. 5.0, OD. 8.0 mm  | 23: ID. 8.0, OD. 12.0 mm  | 38: ID. 12.0, OD. 13.0 mm | 55: ID. 17.5, OD. 20.5 mm |
| 05: ID. 3.5, OD. 6.5 mm | 11: ID. 5.0, OD. 9.0 mm  | 25: ID. 9.0, OD. 11.0 mm  | 39: ID. 12.0, OD. 14.0 mm | 60: ID. 22.0, OD. 27.0 mm |
| 07: ID. 4.0, OD. 7.0 mm | 14: ID. 6.0, OD. 9.0 mm  | 27: ID. 9.0, OD. 13.0 mm  | 40: ID. 12.0, OD. 16.0 mm |                           |
| 08: ID. 4.5, OD. 6.5 mm | 17: ID. 7.0, OD. 9.0 mm  | 33: ID. 10.0, OD. 14.0 mm | 43: ID. 13.0, OD. 15.0 mm |                           |
| 09: ID. 4.5, OD. 8.0 mm | 19: ID. 7.0, OD. 11.0 mm | 36: ID. 11.0, OD. 13.0 mm | 45: ID. 14.0, OD. 18.0 mm |                           |

**Hose type:**

- 1: Fuel hose
- 3: Vinyl hose
- 5: General hose

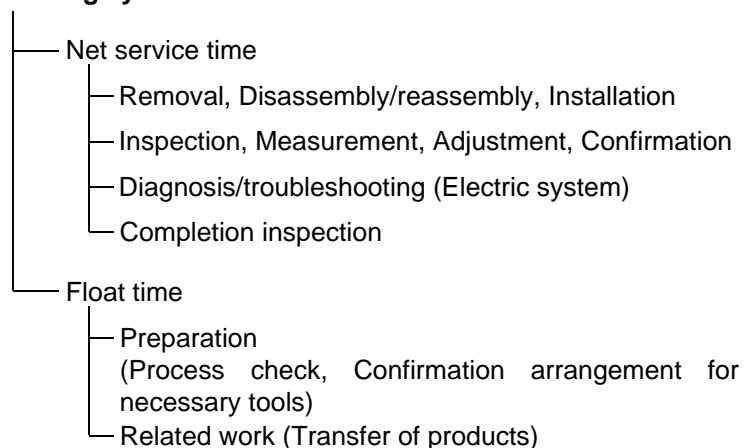
⊙ **CAUTION: It is DANGEROUS to confuse the fuel hose with the general purpose hose or vinyl hose.**

Never use a general purpose hose or vinyl hose in place of a fuel hose or vice versa. Always use the correct bulk part in the parts catalogue, according to the service manual or the instructions issued with the bulk part.

## FLAT RATE SERVICE TIME

Flat rate service time (FRT) means the standard time required to service a product, which is listed in this manual to help the dealers control the actual working process and calculate the service charge by using it as a guide.

### FRT setting system



\* Float time is set by multiplying the net service time by a given coefficient.

### Editorial style

The service items shown in the text are listed with the exchange work time for the repair sales parts as the subject. Other representative service items not using repair parts (removal/installation, adjustment, inspection/measuring, and other work) are listed collectively in the list in the preface, classified according to the work.

### FRT setting standard

- Decimal system (in unit of 0.1) is adopted to set FRT as it is convenient to calculate the wage.  
Example: (0.1) → 6 minutes, (0.2) → 12 minutes  
[Labor cost per hour] x [FRT] = [Wage]
- FRT is set with a hand tool.
- Service items and FRT can be subject to change depending on development of tools and service equipment and improvement in service procedure.

**Work procedure**

- As the work procedure is set with the work time according to the method in the separate Service Manual, refer to this Manual as required.
- Work methods permitting servicing in the shortest time still permitting assurance of safe work and product warranty are used for the setting of service items not listed in the Service Manual.
- Work basically is to be performed by one person, and when two or more people are required, setting is done as the total time for the number of people.
- The set value for the technological level of the workers uses a person with three years of experience in the repair of Honda products as the standard.
- Special tools and service equipment used to set FRT are those specified or recommended in Service Manual.

**Service item whose FRT is not presented**

- Accessories and service parts that are not listed to use in this manual.
  - Locations with little aging deterioration or breakage during normal use.
  - Service work that can be finished by one touch.
  - Service work that is seldom done (i.e. extremely small causes of trouble and service frequency).
  - Products and parts whose location for installation differs according to its status of use and application.
- \* When FRT is not presented, please calculate wages based on appropriate actual work time.

**Operation not included of FRT**

- Oil and coolant water draining, Waiting time for warming up operation and etc..
- Additional operation that involves removal/installation of standard exterior equipment.
- Indirect time spent for service by visiting the customer, trade-in, and delivery.
- Indirect time required for ordering and delivery of parts.
- Cost for grease, adhesive agent, etc. used for service work.

**Explanation of FRT by using an example  
(The example may differ from the actual presented items)**

Ref. No.	L.O.N.	(Relative ref. Number) Description	F.R.T.
①	1111L1	④ (1, 3, 4, 7) VALVE, INTAKE .....4.1	②
②		• NOTE: OHV type ⑥	⑦
③	1111L1A	• Includes: Engine removal and installation One head (intake all) add .....1.4 ⑤	

- ① Reference No. of the illustration of part that shows location of the replacement work.
- ② FRT is an abbreviation of Flat Rate Time indicating the standard service time required for the replacement.
- ③ LON is an abbreviation of Labor Operation Number, and it is a classification of the service items by the work unit code.

The same operation code is used regardless of the models.

Standard operation is indicated with 6 digits code, and additional operation is indicated with 7 digits code.

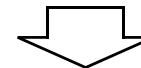
- ④ Indicating the intake valve replacement and FRT4.1.
- ⑤ Indicating FRT1.4 that will be added when additional operation (whole intake side of one cylinder head) is done in association with intake valve replacement.

- ⑥ Indicating work condition or application condition of the service item.
- ⑦ Indicating work contents that are included in the service item.
- ⑧ Indicating a reference No. whose operation and time are the same as FRT4.1 for the intake valve.

(The application range is limited to the service items without an LON setting within a same block.)

**How to refer to the service item by using the sample  
(intake valve replacement)**

Open to the page of the block where the intake valve's spare part illustration is shown.



Look for the intake valve illustration, and refer to the service item and FRT that agree with the reference No.

Indication mark for the listing of service items that continues to the following page

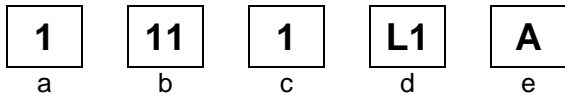
Ref. No.	L.O.N.	(Relative ref. Number) Description	F.R.T.
2	1111L1	VALVE, INTAKE .....	4.1
	.	.	.
	.	.	.

+  
Mark indicated at the last line.

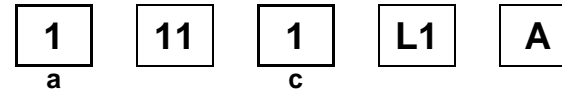
Indication of the block with no setting of FRT

Ref. No.	L.O.N.	(Relative ref. Number) Description	F.R.T.
NO INFORMATION .....			

• LON code system



- a) Category code..... Engine
- b) Location/function code..... Engine upper
- c) Operation code..... Replace
- d) Operation sequence number (Unit code can be shown with alphabet)  
..... Intake valve  
(No regular rule of code)
- e) Additional code ..... One head (intake all)  
(No regular rule of code)



a) Category codes and classification

Code	Category
1	Engine
2	Power drive
3	Fuel & Exhaust
4	Frame & Body
5	Steering
6	Electrical
7	Axle & Brake
8	Control system
9	-
0	Attachments

c) Operation codes and classification

Code	Operation category
1	Replace, Removal/Installation, Change
2	Overhaul
3	Adjust, Rotation
4	(Paint-related work: Top-coat)
5	Test, Inspect/diagnose, Measurement
6	(Overhaul-related work: Rebore)
7	(Overhaul-related work: Reseal)
8	(Resurface)
9	(Paint-related work: Refinish)
0	Repair, Cleaning, Air bleeding

Major service items without using spare parts

(1) Removal/Installation, (2) Adjustment,  
(3) Inspection/Masurement, (4) Overhaul, (5) Other work

E: Engine, T: Transmission, D: Drive system,  
B: Body and related parts

1

### (2) Adjustment

	LON	DESCRIPTION	FRT
E	1113A1	<b>VALVE CLEARANCE-ADJUSTMENT</b> NOTE: For 1 product	0.3
	1163A0	<b>CONTROL, THROTTLE/GOVERNOR-ADJUSTMENT</b>	0.2
	3113A2	<b>CARBURETOR IDLE-ADJUSTMENT</b>	0.2

### (3) Inspection, Measurement, Cleaning

	LON	DESCRIPTION	FRT
E	1105A0	<b>ENGINE OIL-INSPECTION</b>	0.1
	3120A0	<b>AIR CLEANER-CLEANING</b> INCLUDES: Air cleaner-inspection	0.1
	3130A0	<b>SPARK ARRESTER-CLEANING</b> INCLUDES: Spark arrester-inspection	0.2
	6140A0	<b>SPARK PLUG-ADJUSTMENT/CLEANING</b> INCLUDES: Spark plug check NOTE: For 1 product	0.2

### (4) Overhaul

Work condition: The required Measurements, inspections, adjustments, and cleaning/washing of each part are performed, including the main body removal/installation work and the replacement of defective parts.

	LON	DESCRIPTION	FRT
E	3112A0	<b>CARBURETOR-OVERHAUL</b> INCLUDES: All necessary adjustment	0.6

### (5) Other work

	LON	DESCRIPTION	FRT
E	1101E1	<b>ENGINE OIL-CHANGE</b> INCLUDES: Engine oil-inspection	0.1

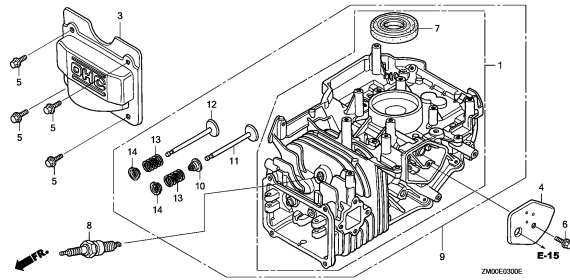
# ENGINE GROUP

D 5

E-3

CYLINDER BARREL

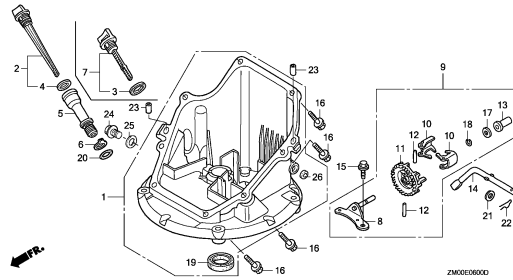
E 1



E-6

OIL PAN

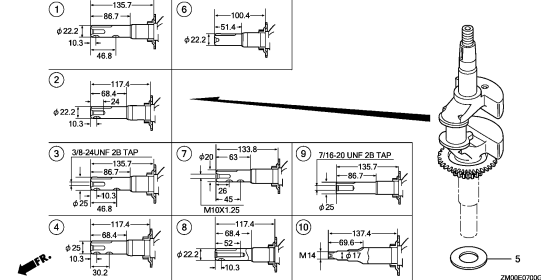
E 5



E-7

CRANKSHAFT

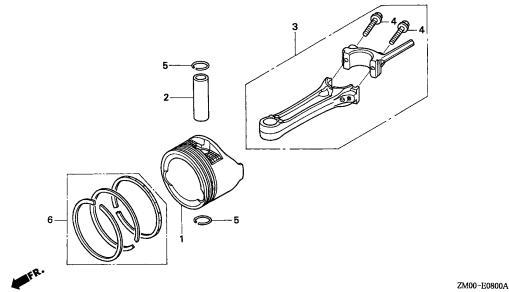
E 9



E-8

PISTON/CONNECTING ROD

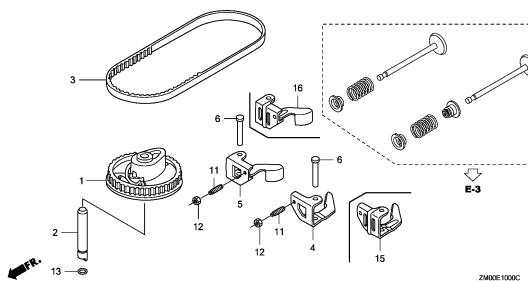
E10



E-10

CAMSHAFT PULLEY

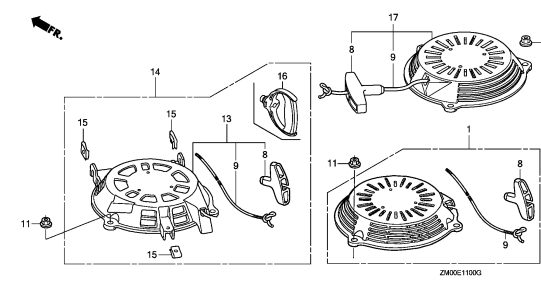
E14



E-11

RECOIL STARTER

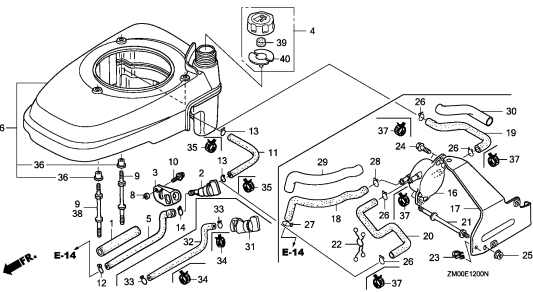
E16



E-12

FAN COVER(1)

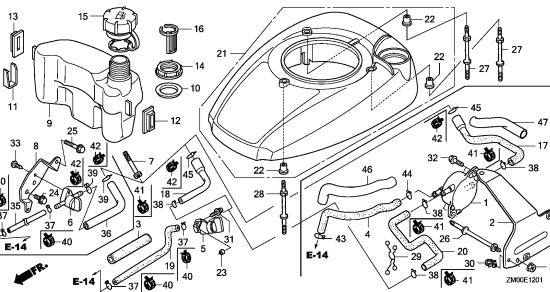
F 3



E-12-1

FAN COVER(2)

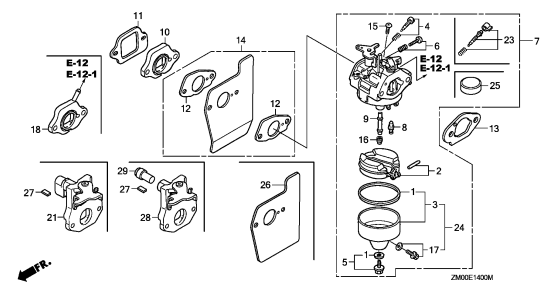
F14



E-14

CARBURETOR

G 3



2



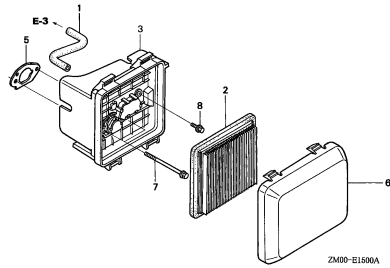
# ENGINE GROUP

**D 6**

**E-15**

**AIR CLEANER**

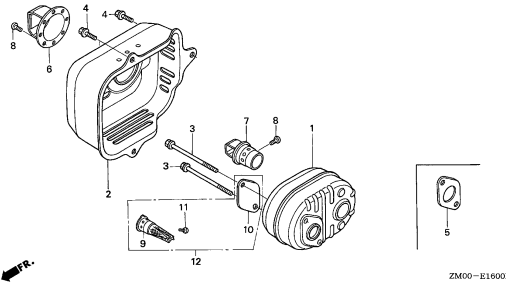
**G13**



**E-16**

**MUFFLER**

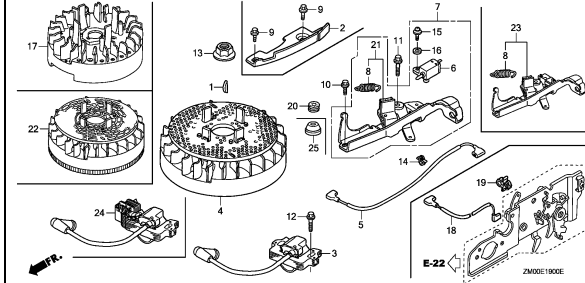
**H 1**



**E-19**

**FLYWHEEL(1)**

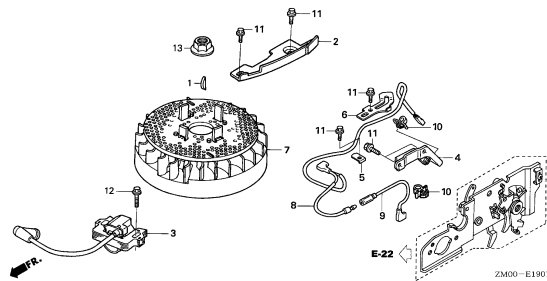
**H 3**



**E-19-1**

**FLYWHEEL(2)**

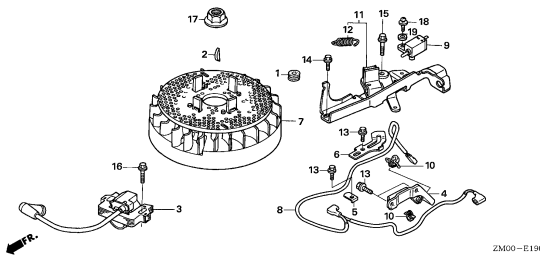
**H10**



**E-19-2**

**FLYWHEEL(3)**

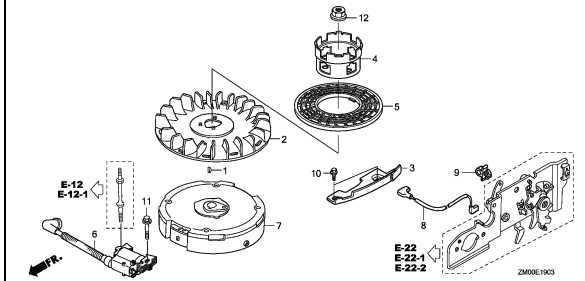
**H11**



**E-19-3**

**FLYWHEEL(4)**

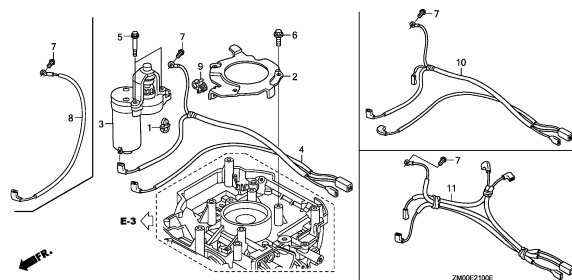
**H12**



**E-21**

**STARTER MOTOR**

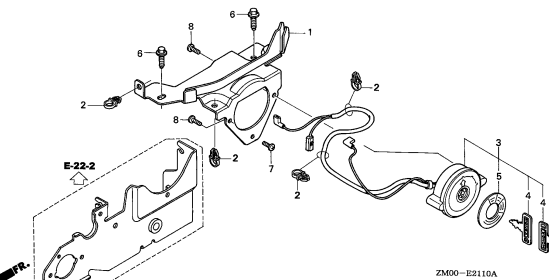
**H13**



**E-21-10**

**COMBINATION SWITCH**

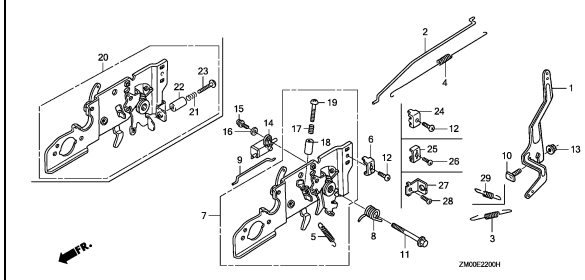
**H14**



**E-22**

**CONTROL(1)**

**H15**



**2**

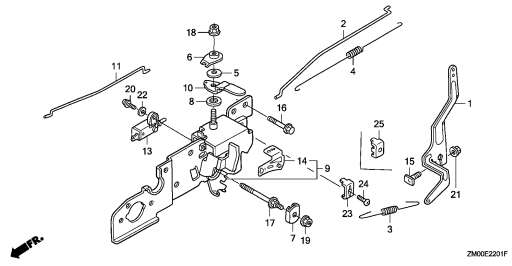
# ENGINE GROUP

**D 7**

**E-22-1**

CONTROL(2)

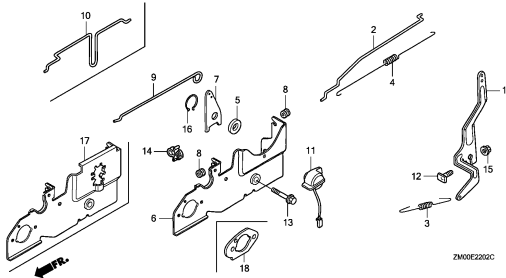
**I 7**



**E-22-2**

CONTROL(3)

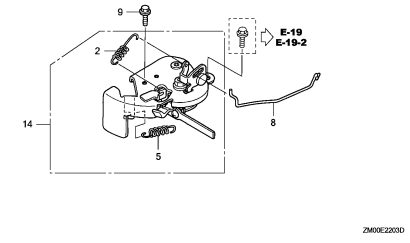
**I 9**



**E-22-3**

CHOKE BASE

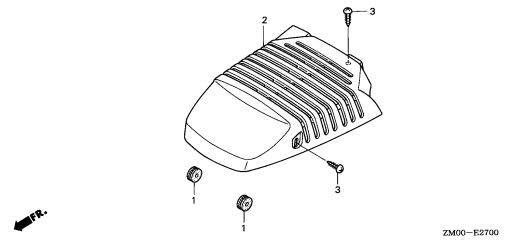
**I11**



**E-27**

TOP COVER

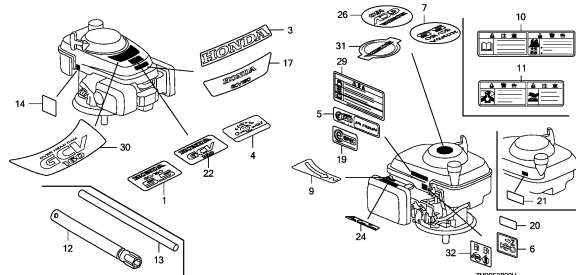
**I12**



**E-28**

LABEL/TOOL

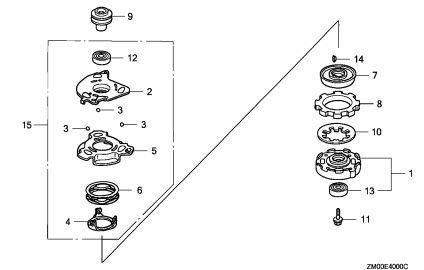
**I13**



**E-40**

BLADE HOLDER

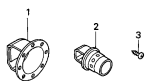
**J 1**



**E-40-1**

MUFFLER CAP

**J 2**

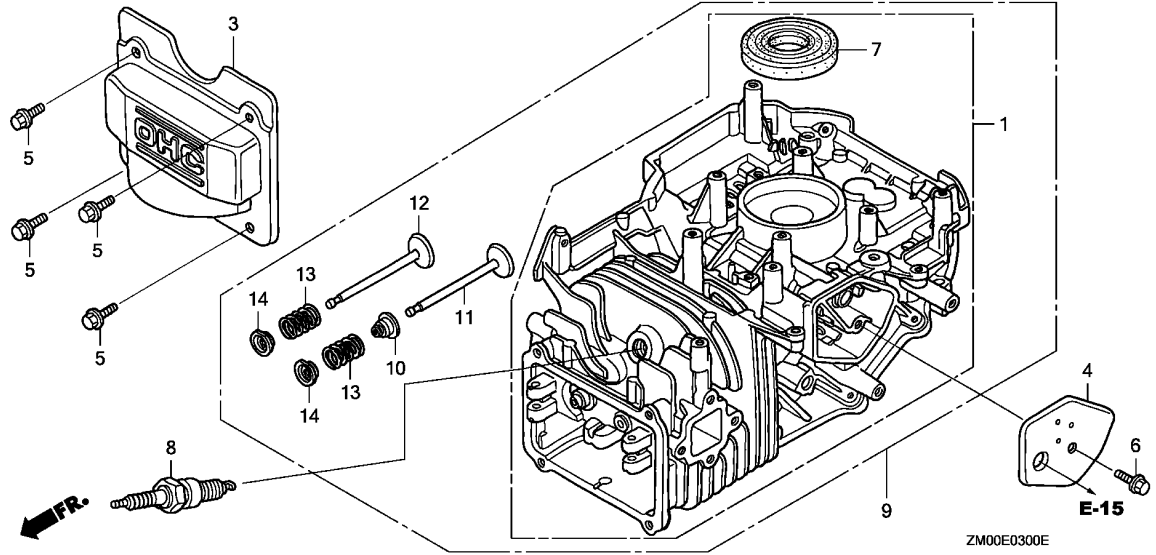


ZM00-B4001

**2**

E-3

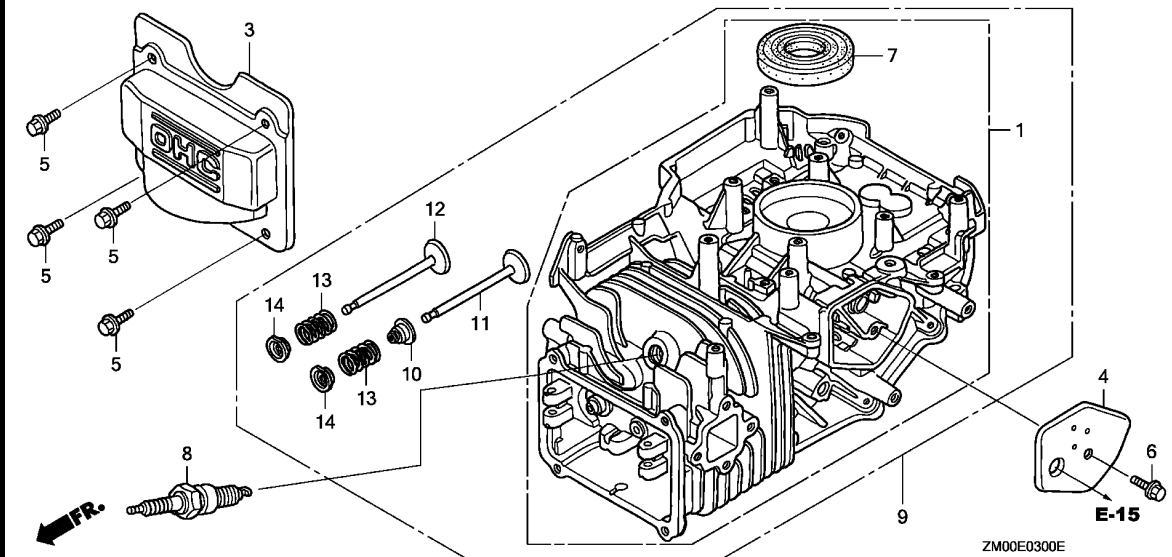
CYLINDER BARREL



Ref. No.	L.O.N.	(Relative ref. Number) Description	F.R.T.
1	1101A0	BARREL, CYLINDER .....	1.6
3	1111D5	COVER, CYLINDER HEAD AND/OR PACKING, HEAD COVER .....	0.2
4	1111D1	COVER, BREATHER AND/OR PACKING, BREATHER COVER .....	0.2
7	1101E6	OIL SEAL, CRANKSHAFT :UPPER ..	1.3
8	6141C1	PLUG, SPARK .....	0.1
.INCLUDES: All spark plug check			
9	1101A1	BARREL ASSEMBLY, CYLINDER .....	1.2
10	1111K2	SEAL, INTAKE VALVE STEM .....	1.2
.INCLUDES: Valve clearance adjustment			
11	1111L1	VALVE, INTAKE .....	1.3
.INCLUDES: Valve clearance adjustment and reface			
1111LE .Replace intake and exhaust all add .....			0.2
12	1111L0	VALVE, EXHAUST .....	1.3
.INCLUDES: Valve clearance adjustment and reface			
1111LOE .Replace intake and exhaust all add .....			0.2
+13	1111P3	SPRING, VALVE :INTAKE .....	1.2



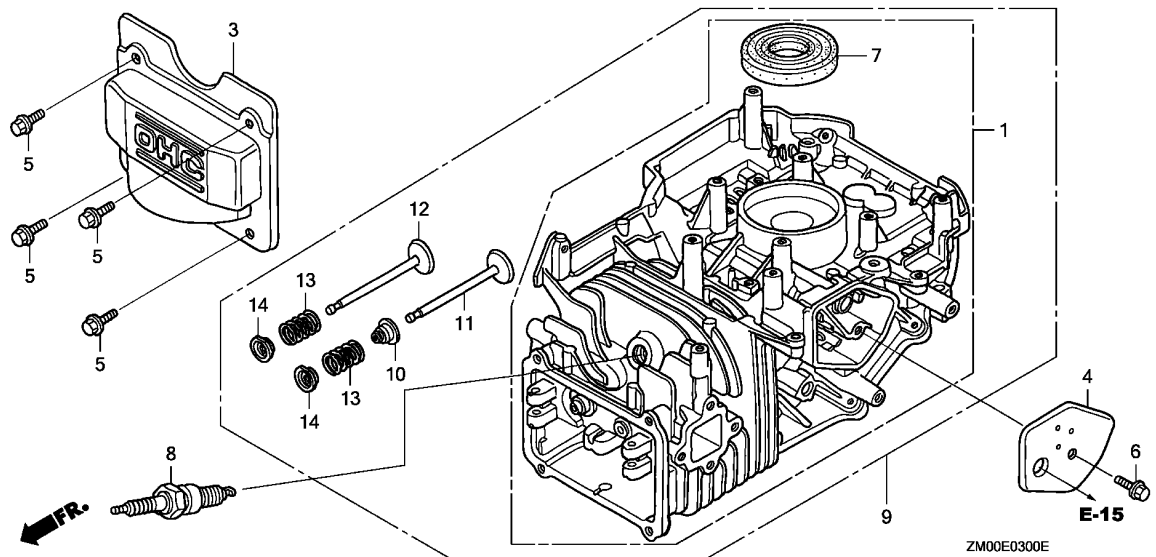
Ref. No.	Part No.	Description	Reqd. QTY								Serial No.	Parts catalogue code
			GCV 160	GCV 160 A	GCV 160 AO	GCV 160 E	GCV 160 LE	GCV 160 LA	GCV 160 LA0			
1	12000-ZL8-000	BARREL ASSY., CYLINDER .....	1	-	-	-	-	-	-	1286131	A1A,A1C,A1E,A1J,A1P,A1U,A2A,A2C,A2E,A2U,A3E,A4E,N1N1D,N1E1,N1E2,N1U,N2,N2D,N2E,N2E1,N2E2,N2E3,N2U	
	12000-ZL8-405	.....	1	1	-	-	-	-	-	1286132	A1W2,A2E4,A2R,N1A,N1W,N1W1,N1W2,N5A N3V	
	12000-Z0L-405	.....	-	1	-	-	-	-	-	-	A1A,A1C,A1E,A1J,A1P,A1U,A2A,A2C,A2E,A2U,A3E,A4E,N1N1D,N1E1,N1E2,N1U,N2,N2D,N2E,N2E1,N2E2,N2E3,N2U	
	12000-Z0L-406	.....	-	1	1	1	-	1	1	-	A1A,A2A C1E,C1E1,C2E,C2E1,C3E,C3E1,C4E,C4E1,EHHB,E1A2,E1A4E1G7,E2G7,E5A4,RTL1,R1A,R3A,R3A1,S1G4	
	12000-Z0L-407	.....	-	-	1	-	-	-	1	-	A1A,S1M,S2E2,S2E3,S2G7,S3A2,S3E9,S3G9,S3H,S4E4S4E9,S4G4,S4G9	
	12000-Z1L-405	.....	-	-	-	1	-	-	-	-	A1A,A1AF,A1E7,A1M,A2E7,A2R,N1A,N1AF,N1L,N1R,N1UN2U,N3U,N3V,N5AF,N5MF,N5R,N7A1,N7S1,S1A,S3A,S3H2	
3	12311-ZL8-000	COVER, HEAD .....	1	1	1	1	1	1	1	-	BHH,BHH1 S1G4	
4	12355-ZL8-000	COVER COMP., BREATHER .....	1	1	1	1	1	1	1	-		
5	90013-883-000	BOLT, FLANGE, 6X12(CT200) ...	4	4	4	4	4	4	4	-		
6	90014-952-000	BOLT, FLANGE, 6X14(CT200) ...	1	1	1	1	1	1	1	-		
7	91201-ZL8-003	OIL SEAL, 25.4X62X6 .....	1	1	-	1	1	1	-	-	A1A,A1AF,A1AW,A1E7,A1M,A2E7,A2R,C1E,C1E1,C2E,C2E1C3E,C3E1,C4E,C4E1,E1A2,E2G7,N1A,N1AF,N1L,N1R,N1UN2U,N3U,N3V,N5AF,N5MF,N5R,N7A1,N7S1,R3A,S1A,S1MS2G7,S3A,S3H,S3H2	
	91201-Z0Y-003	.....	-	-	1	-	-	-	1	-	BHH,BHH1	



Ref. No.	L.O.N.	(Relative ref. Number) Description	F.R.T.
+13		.INCLUDES: Valve clearance adjustment	
1111P3A		.Replace intake and exhaust all add .....	0.1
1111P4		SPRING, VALVE :EXHAUST ..... .INCLUDES: Valve clearance adjustment	1.2
1111P4A		.Replace intake and exhaust all add .....	0.1

Ref. No.	Part No.	Description	Reqd. QTY								Serial No.	Parts catalogue code	
			GCV 160	GCV 160 A	GCV 160 AO	GCV 160 E	GCV 160 LE	GCV 160 LA	GCV 160 LAO				
8	98079-56846	PLUG, SPARK (BPR6ES) (NGK) ...	1	-	-	-	-	1	-	-	-----	A1AE, A1AF, A1AS, A1C, A1E, BHH, C1E, C1E1, C2E, C2E1, N1L, N1AF, N5AF, N5MF, N5R, N7A1, N7S1 ----- A1A, A1M, A2A, A2C, A3A, A3E, A7E1, A7H1, BHH1, EHHB, E1A2, E1A4, E1G7, E2G7, E5A4, NBL1, N1C, N1U, N2U, N3U, N3V, N5A, N5C, RTL1, R1A, R3A, R3A1, STA1, STL1, S1A, S1A1, S1M, S2G7, S3A, S3A2, S3H, S3H2 ----- A1E7, A1E8, A1W7, A2E7, A2E8, A2E9, A2G7, N1A, N1E1, N1E7, N1R, N1W7, N1W8, N1W9, N2E7, N2E8, N2E9 ----- A2R ----- C3E, C3E1, C4E, C4E1 ----- 2218977	-----
	98079-55846	PLUG, SPARK (BPR5ES) (NGK) ...	-	1	1	-	-	-	-	1	-----	A1AW, C3E, C3E1, C4E, C4E1 ----- A1A, A1AF, A1E7, A1M, A2E7, A2R, BHH, BHH1, C1E, C1E1, C2E, C2E1, E1A2, E2G7, N1R, N1U, N2U, N3U, N3V, R3A, S1A, S1M, S2G7, S3A, S3H, S3H2 ----- A1E7, A1E8, A1G7, A1G9, A1P, A1W7, A2A9, A2E7, A2E8, A2E9, A2G4, A2G7, A2G9, A2R, A3E7, A3E9, A3G9, A3T9, A3W7, A3W8, A4A9, A4G4, A4G7, A4G9, N1D, N1E1, N1E2, N1E7, N1J1, N1R, N1T8, N1T9, N1W7, N1W8, N1W9, N2E7, N2E8, N2E9, N3T8, N3T9, N3W8, N3W9, S1E1, S2E, S2E1, S2E2, S2E3, S3E9, S3G9, S4E4, S4E9, S4G4, S4G9 -----	-----
9	12000-ZL8-415	BARREL ASSY., CYLINDER .....	1	-	-	-	-	-	-	-	-----	----- A1E7, A1E8, A1G7, A1W7, A2E7, A2E8, A2E9, A2G7, A7E1, N1E7, N1J1, N1R, N1W7, N1W8, N1W9, N2E7, N2E8, N2E9, N3U, N7A1	





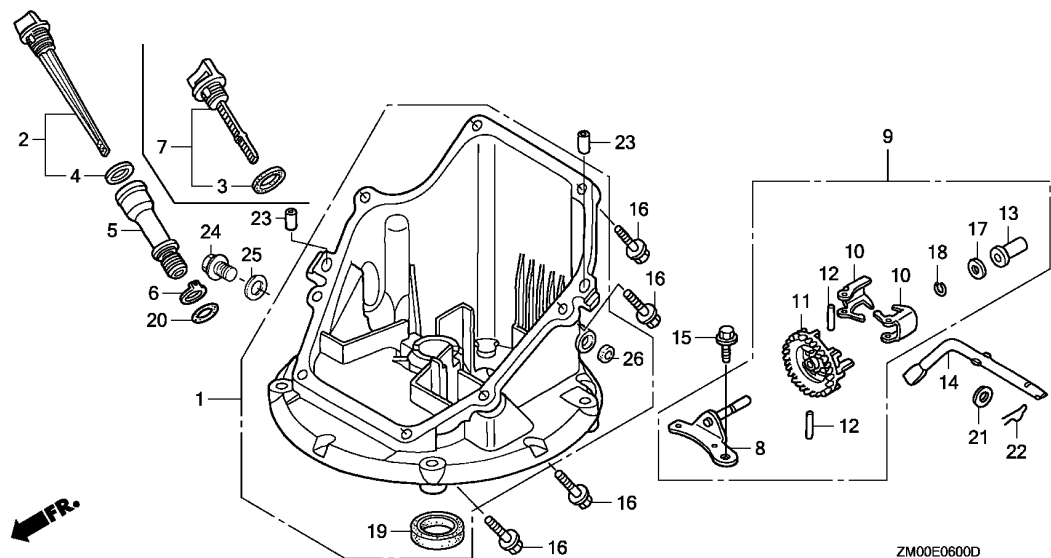
Ref. No.	Part No.	Description	Reqd. QTY								Serial No.	Parts catalogue code
			GCV 160	GCV 160 A	GCV 160 A0	GCV 160 E	GCV 160 LE	GCV 160 LA	GCV 160 LA0			
(9)	12000-ZL8-425	BARREL ASSY., CYLINDER .....	-	1	-	1	-	1	-	-	-	A1AE,A1AF,A1AS,A1C,A1E,A1E7,A1E8,A1M,A1W7,A2C,A2E7,A2E8,A2E9,A2G7,A3A,A3E,A7E1,BHH,BHH1,NBL1,N1AF,N1C,N1E1,N1E7,N1L,N1R,N1U,N1W7,N1W8,N1W9,N2E7,N2E8,N2E9,N2U,N3U,N3V,N5AF,N5C,N5MF,N5R,N7A1,N7S1,STA1,STL1,S1A,S1A1,S3A,S3H2
			-	-	-	1	-	1	-	-	-	A1A,A1G7,A1G9,A1P,A2A9,A2G4,A2G9,A2R,A3E7,A3E9,A3G9,A3T9,A3W7,A3W8,A4G4,A4G7,A4G9,N1A,N1D,N1E2,N1J1,N1T8,N1T9,N3T8,N3T9,N3W8,N3W9,S1E1,S2E,S2E1
10	12209-ZM0-003	SEAL, VALVE STEM .....	1	-	-	-	-	1	-	-	-	A1E7,A1E8,A1G7,A1W7,A2E4,A2E7,A2E8,A2E9,A2G7,A7E1,N1E7,N1J1,N1R,N1W7,N1W8,N1W9,N2E7,N2E8,N2E9,N3U,N7A1
			1	-	-	-	-	-	-	2296433	-	A1A,A1C,A1E,A1P,A1W2,A2A,A2C,A2E,A2R,A3E,N1,N1D,N1E1,N1E2,N1U,N1W,N1W1,N1W2,N2,N2E,N2E1,N2E3,N2U,N3V
			-	1	1	1	1	1	1	1	-	
11	14711-ZL8-000	VALVE, IN. (TECHNOSTAR) .....	1	-	1	-	1	-	1	-	-	A1AW,A3E9,A3G9,A3T9,A3W7,A3W8,A4G4,A4G7,A4G9,C3E,C3E1,C4E,C4E1,N3T8,N3T9,N3V,N3W8,N3W9,S1G4,S2E2,S2E3,S3E9,S3G9,S4E4,S4E9,S4G4,S4G9
			-	1	-	1	-	-	-	-	-	

Ref. No.	Part No.	Description	Reqd. QTY								Serial No.	Parts catalogue code
			GCV 160	GCV 160 A	GCV 160 AO	GCV 160 E	GCV 160 LE	GCV 160 LA	GCV 160 LAO			
11)	14711-ZOJ-000	VALVE, IN. (ROCKNEL) .....	-	1	-	1	-	1	-	-	-----	A1W7, A2E8, A2E9, A2G7, A7E1, E1A2, N1E1, N1E7, N1W7, N1W8, N1W9, N2E7, N2E8, N2E9, R3A
			-	1	-	1	-	-	-	-	-----	A1A, A1AF, A1AW, A1C, A1E, A1E8, A1G7, A1G9, A1P, A2A, A2A9, A2C, A2G4, A2G9, A2R, A3A, A3E, A3E7, BHH, EHHB, E1A4, E1G7, E2G7, E5A4, N1A, N1AF, N1C, N1D, N1E2, N1J1, N1T8, N1T9, N3V, N5AF, N5C, N5MF, N5R, N7A1, N7S1, R1A, R3A1, STA1, S1A, S1A1, S1E1, S1M, S2E, S2E1, S3A, S3H
			-	1	-	-	-	-	-	-	-----	6330748 A1AE, A1AS, A1E7, A1M, A2E7, BHH1, C1E, C1E1, C2E, C2E1, C3E, C3E1, C4E, C4E1, NBL1, N1L, N1R, N1U, N2U, N3U, N5A, RTL1, STL1, S2G7, S3A2, S3H2
			-	-	1	-	-	-	-	1	-----	A1E7, A2E7, N1R
			-	-	-	-	-	-	1	-	-----	6330748 A1A, A1AF, A2R, BHH, N1A, N1AF, N5AF, N5MF, N5R, N7A1, N7S1, S1A, S1M, S3A, S3H
	14711-ZOJ-800	VALVE, IN. ....	-	1	-	-	-	-	-	-	6330749	A1AE, A1AS, A1E7, A1M, A2E7, BHH1, C1E, C1E1, C2E, C2E1, C3E, C3E1, C4E, C4E1, NBL1, N1L, N1R, N1U, N2U, N3U, N5A, RTL1, STL1, S2G7, S3A2, S3H2
			-	-	1	-	-	-	-	-	-----	A1E7, A1M, A2E7, BHH1, C1E, C1E1, C2E, C2E1, C3E, C3E1, C4E, C4E1, E2G7, N1L, N1R, N1U, N2U, N3U, N3V, S2G7, S3H2
			-	-	-	-	-	1	-	-	6330749	A1A, A1AF, A2R, BHH, N1A, N1AF, N5AF, N5MF, N5R, N7A1, N7S1, S1A, S1M, S3A, S3H
			-	-	-	-	-	-	-	1	-----	
12	14721-ZL8-000	VALVE, EX. ....	1	1	1	1	1	1	1	1		
13	14751-ZL8-000	SPRING, VALVE .....	2	2	2	2	2	2	2	2		
14	14771-ZE1-000	RETAINER, IN. VALVE SPRING ..	2	-	-	2	2	-	-	-		
			-	2	-	-	-	-	-	-	-----	A1A, A1AE, A1AF, A1AS, A1C, A1E7, A1E8, A1W7, A2A, A2C, A2E7, A2E8, A2E9, A2G7, A2R, A3A, A7E1, BHH, N1A, N1AF, N1C, N1E7, N1U, N1W7, N1W8, N1W9, N2E7, N2E8, N2E9, N2U, N3U, N5A, N5AF, N5C, N7A1, S1A, S1A1, S3A
	14771-ZOJ-000	RETAINER, VALVE SPRING .....	-	2	-	-	-	-	-	-	-----	A1AW, A1E, A1M, A3E, BHH1, C1E, C1E1, C2E, C2E1, C3E, C3E1, C4E, C4E1, EHHB, E1A2, E1A4, E1G7, E2G7, E5A4, NBL1, N1E1, N1L, N1R, N3U, N5MF, N5R, N7S1, RTL1, R1A, R3A, R3A1, STA1, STL1, S1M, S2G7, S3A2, S3H, S3H2
			-	-	2	-	-	2	2			



E-6

OIL PAN



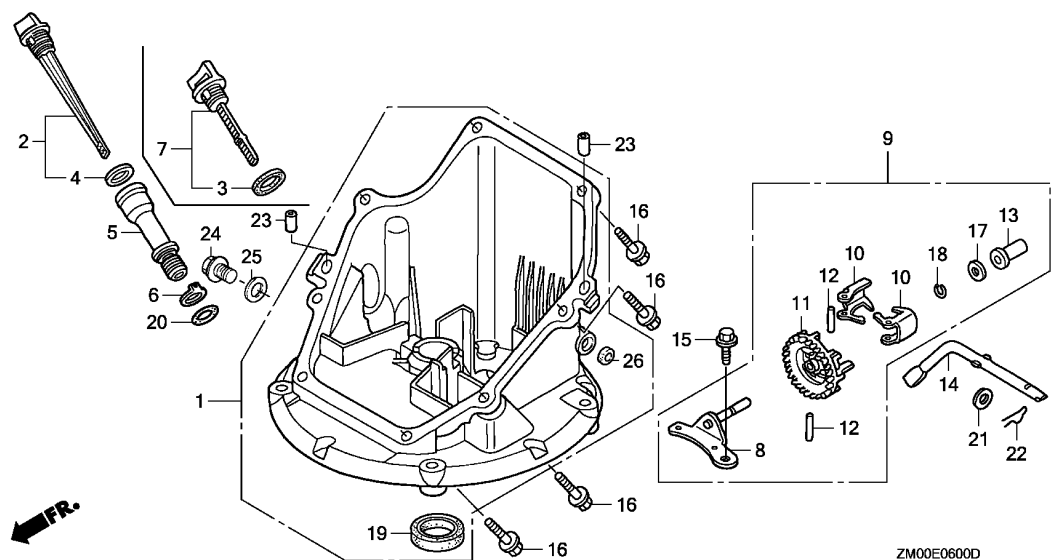
Ref. No.	L.O.N.	(Relative ref. Number) Description	F.R.T.
1	1131C1	PAN, OIL .....	0.6
5		(6,20)	
	1101B9	EXTENSION, OIL FILLER AND/OR PACKING, OIL FILLER EXTENSION .....	0.1
9	1161C4	GOVERNOR ASSEMBLY .....	0.5
11		(10,12)	
	1161A7	HOLDER, GOVERNOR WEIGHT .....	0.5
13		(17,18)	
	1161B6	SLIDER, GOVERNOR .....	0.5
14	1161B4	SHAFT, GOVERNOR ARM .....	0.4
19	1101E7	OIL SEAL, CRANKSHAFT :LOWER ..	0.5
25	1101D5	WASHER, DRAIN PLUG .....	0.1
26	1101C4	OIL SEAL, GOVERNOR ARM SHAFT ..	0.5

Ref. No.	Part No.	Description	Reqd. QTY							Serial No.	Parts catalogue code
			GCV 160	GCV 160 A	GCV 160 AO	GCV 160 E	GCV 160 LE	GCV 160 LA	GCV 160 LA0		
1	11300-ZM0-405	PAN ASSY., OIL .....	1	-	-	-	-	-	-	1212768	N2U
	11300-ZM0-810	.....	1	-	-	-	-	-	-	1565747	A1A,A2A A4E,N2E2
	11300-ZM0-V30	.....	1	-	-	-	-	-	-	2272086	A1C,A1E,A2E,A2E4,A3E,N1E1,N1E2,N1W,N2E,N2E1,N2E3
	11300-ZM0-406	.....	1	-	-	-	-	-	-	1565748	A1A,A2A
	11300-ZM0-405	.....	1	1	1	1	-	-	-	2333245	A2R
	11300-ZM0-405	.....	1	1	-	1	-	1	-	1212769	A1P,A1U,N1J1,N1R,N1U,N3U,N3V
	11300-ZM0-405	.....	1	1	-	1	-	1	-	2427111	N2U N2U
	11300-ZM0-405	.....	1	-	-	-	-	-	-	2272087	A1AF,A1E7,A1E8,A1G7,A1J,A2C,A2E7,A2E8,A2E9,A2G7 A2U,N1,N1D,N1E7,N1W7,N2,N2D,N2E7,N2E8,N2E9
	11300-ZM0-405	.....	1	-	-	-	-	-	-	2427112	A1A,A1C,A1E,A2A,A2E,A2E4,A3E,N1E1,N1E2,N1W,N2E N2E1,N2E3
	11300-ZM0-405	.....	1	-	-	-	-	-	-	2427112	N2U
	11300-ZM0-405	.....	-	1	-	1	1	1	-	2333246	A1A,A1AE,A1AS,A1AW,A1C,A1E,A1G9,A1M,A2A,A2A9,A2G4 A2G9,A3A,A3E,A3E7,A3E9,A4A9,BHH,BHH1,C1E,C1E1,C2E C2E1,EHNB,E1A2,E1G7,E2G7,NBL1,N1E1,N1E2,RTL1,R1A R3A,R3A1,STA1,STL1,S1A,S1A1,S1E1,S1G4,S2E,S2E1 S2E3,S2G7,S3A,S3A2,S3H2
	11300-ZM0-407	.....	1	-	-	-	-	-	-	2333246	S1M,S3H N2U
	11300-ZM0-408	.....	1	1	-	1	-	-	-	2333246	A2R
	11300-ZOL-405	.....	-	1	1	-	-	1	1		A2R,N5R
	11300-ZOM-405	.....	1	1	-	1	1	1	1		A1W2,A1W7,A3T9,A3W7,A3W8,N1T8,N1T9,N1W1,N1W2,N1W8 N1W9,N3T8,N3T9,N3W8,N3W9
	11300-ZOL-821	PAN ASSY., OIL (SAE) .....	-	1	-	-	-	-	-		N1A,N1AF,N1C,N1L,N5A,N5AF,N5C,N5MF A7E1,A7H1,N7A1,N7S1
			-	1	-	-	-	-	-		E1A4,E5A4

Ref. No.	Part No.	Description	Reqd. QTY								Serial No.	Parts catalogue code
			GCV 160	GCV 160 A	GCV 160 A0	GCV 160 LE	GCV 160 LA	GCV 160 LA0	GCV 160 LA	GCV 160 LA0		
2	15650-ZM0-801	GAUGE ASSY., OIL LEVEL .....	1	1	1	-	-	1	1	-----	-----	A1AE,A1E,A1E7,A1E8,A1G7,A1P,A1U,A1W2,A1W7,A2E,A2E4,A2E7,A2E8,A2E9,A2G7,A2U,A3E,A4E,A7E1,BHH,BHH1,NBL1,N1E1,N1E2,N1E7,N1R,N1U,N1W,N1W1,N1W2,N1W7,N1W8,N1W9,N2E,N2E1,N2E2,N2E3,N2E7,N2E8,N2E9,N2U,N3U,N3V,N7A1,N7S1,STA1,STL1,S1M,S2G7,S3A,S3H,S3H2,C1E,C1E1,C2E,C2E1,C3E,C3E1,C4E,C4E1,EHHB,E1A2,E1A4,E1G7,E2G7,E5A4,RTL1,R1A,R3A,R3A1
	15650-Z0L-820	.....	-	1	1	-	-	1	1	-----	-----	A1E7,A1E8,A1G7,A1G9,A1P,A1W7,A2A9,A2E7,A2E8,A2E9,A2G4,A2G7,A2G9,A3E7,A3E9,A3G9,A3T9,A3W7,A3W8,A4G4,A4G7,A4G9,A7E1,N1E1,N1E2,N1E7,N1R,N1T8,N1T9,N1W7,N1W8,N1W9,N2E7,N2E8,N2E9,N3T8,N3T9,N3W8,N3W9,N7A1,S1E1,S1G4,S2E,S2E1,S2E2,S2E3,S3E9,S3G9,S4E4,S4E9,S4G4,S4G9
	15650-Z0M-800	.....	-	-	-	1	-	-	-	-----	-----	A1AE,A1E,A1E7,A1E8,A1G7,A1G9,A1P,A1U,A1W2,A1W7,A2E,A2E4,A2E7,A2E8,A2E9,A2G4,A2G7,A2G9,A3E7,A3E9,A3G9,A3T9,A3W7,A3W8,A4E,A4G4,A4G7,A4G9,A7E1,N1E1,N1E2,N1E7,N1R,N1T8,N1T9,N1W7,N1W8,N1W9,N2E,N2E1,N2E2,N2E3,N2E7,N2E8,N2E9,N2U,N3T8,N3T9,N3W8,N3W9,N7A1,N7S1,STA1,STL1,S1E1,S1G4,S1M,S2E,S2E1,S2E2,S2E3,S2G7,S3A,S3E9,S3G9,S3H,S3H2,S4E4,S4E9,S4G4,S4G9
3	15625-ZE1-003	PACKING, OIL FILLER CAP .....	-	-	-	-	1	-	-	-----	-----	A1J,A1M,N1D,N1J1,N1L
			1	1	1	1	-	-	-	-----	-----	A1A,A1C,A2A,A2C,A2R,N1,N2,N2D
			-	1	-	-	-	-	-	-----	3724306	A1A,A1AF,A1AS,A1C,A2A,A2C,A2R,A3A,N1A,N1AF,N1C,N5A,N5AF,N5C,S1A,S1A1,S3A2
	15625-Z2L-801	.....	-	1	1	-	-	1	1	-----	-----	A1AW,N5MF,N5R
			-	1	-	-	-	-	-	-----	3724307	A1A,A1AF,A1AS,A1C,A2A,A2C,A2R,A3A,N1A,N1AF,N1C,N5A,N5AF,N5C,S1A,S1A1,S3A2
4	15625-ZE6-000	PACKING, OIL FILLER CAP .....	-	-	-	-	-	1	1	-----	-----	A1A,A1AF,A2R,N1A,N1AF,N5AF,S1A
			1	1	1	1	-	1	1	-----	-----	A1AE,A1E,A1E7,A1E8,A1G7,A1G9,A1P,A1U,A1W2,A1W7,A2A9,A2E,A2E4,A2E7,A2E8,A2E9,A2G4,A2G7,A2G9,A2U,A3E,A3E7,A3E9,A3G9,A3T9,A3W7,A3W8,A4E,A4G4,A4G7,A4G9,A7E1,BHH,BHH1,C1E,C1E1,C2E,C2E1,C3E,C3E1,C4E,C4E1,EHHB,E1A2,E1A4,E1G7,E2G7,E5A4,NBL1,N1E1,N1E2,N1E7,N1R,N1T8,N1T9,N1U,N1W,N1W1,N1W2,N1W7,N1W8,N1W9,N2E,N2E1,N2E2,N2E3,N2E7,N2E8,N2E9,N2U,N3T8,N3T9,N3U,N3V,N3W8,N3W9,N7A1,N7S1,RTL1,R1A,R3A,R3A1,STA1,STL1,S1E1,S1G4,S1M,S2E,S2E1,S2E2,S2E3,S2G7,S3A,S3E9,S3G9,S3H,S3H2,S4E4,S4E9,S4G4,S4G9
5	15631-ZM0-000	EXTENSION, OIL FILLER .....	1	1	1	1	-	1	1	-----	-----	A1AE,A1E,A1E7,A1E8,A1G7,A1G9,A1P,A1U,A1W2,A1W7,A2A9,A2E,A2E4,A2E7,A2E8,A2E9,A2G4,A2G7,A2G9,A2U,A3E,A3E7,A3E9,A3G9,A3T9,A3W7,A3W8,A4E,A4G4,A4G7,A4G9,A7E1,BHH,BHH1,NBL1,N1E1,N1E2,N1E7,N1R,N1T8,N1T9,N1U,N1W,N1W1,N1W2,N1W7,N1W8,N1W9,N2E,N2E1,N2E2,N2E3,N2E7,N2E8,N2E9,N2U,N3T8,N3T9,N3U,N3V,N3W8,N3W9,N7A1,N7S1,STA1,STL1,S1E1,S1G4,S1M,S2E,S2E1,S2E2,S2E3,S2G7,S3A,S3E9,S3G9,S3H,S3H2,S4E4,S4E9,S4G4,S4G9
	15631-Z0L-820	.....	-	-	-	-	1	-	-	-----	-----	C1E,C1E1,C2E,C2E1,C3E,C3E1,C4E,C4E1,EHHB,E1A2,E1A4,E1G7,E2G7,E5A4,RTL1,R1A,R3A,R3A1
6	15639-ZM0-000	WASHER, EXTENSION LOCK .....	1	1	1	1	-	1	1	-----	-----	A1AE,A1E,A1E7,A1E8,A1G7,A1G9,A1P,A1U,A1W2,A1W7,A2A9,A2E,A2E4,A2E7,A2E8,A2E9,A2G4,A2G7,A2G9,A2U,A3E,A3E7,A3E9,A3G9,A3T9,A3W7,A3W8,A4E,A4G4,A4G7,A4G9,A7E1,BHH,BHH1,C1E,C1E1,C2E,C2E1,C3E,C3E1,C4E,C4E1,EHHB,E1A2,E1A4,E1G7,E2G7,E5A4,NBL1,N1E1,N1E2,N1E7,N1R,N1T8,N1T9,N1U,N1W,N1W1,N1W2,N1W7,N1W8,N1W9,N2E,N2E1,N2E2,N2E3,N2E7,N2E8,N2E9,N2U,N3T8,N3T9,N3U,N3V,N3W8,N3W9,N7A1,N7S1,RTL1,R1A,R3A,R3A1,STA1,STL1,S1E1,S1G4,S1M,S2E,S2E1,S2E2,S2E3,S2G7,S3A,S3E9,S3G9,S3H,S3H2,S4E4,S4E9,S4G4,S4G9
			-	-	-	-	1	-	-	-----	-----	



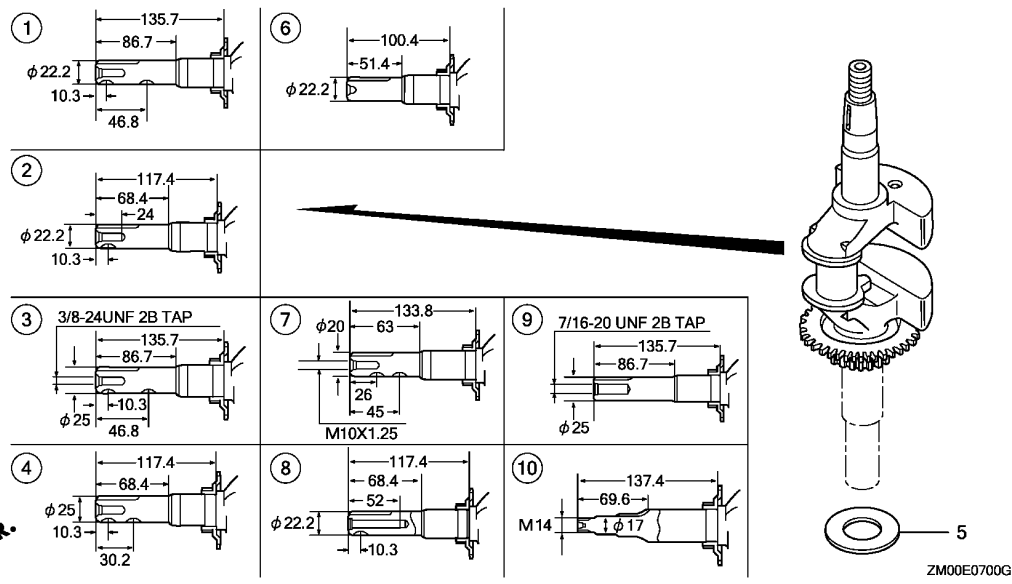




Ref. No.	Part No.	Description	Reqd. QTY								Serial No.	Parts catalogue code	
			GCV 160	GCV 160 A	GCV 160 A0	GCV 160 E	GCV 160 LE	GCV 160 LA	GCV 160 LA0				
7	15650-ZM0-003	GAUGE ASSY., OIL LEVEL .....	1	1	1	1	-	-	-	-	-	-	A1J,A1M,N1D,N1J1,N1L A1A,A1C,A2A,A2C,A2R,N1,N2,N2D 3724306 A1A,A1AF,A1AS,A1C,A2A,A2C,A2R,A3A,N1A,N1AF,N1C,N5A N5AF,N5C,S1A,S1A1,S3A2
	15650-Z0L-000	.....	-	1	1	-	-	1	1	-	-	-	A1AW,N5MF,N5R 3724307 A1A,A1AF,A1AS,A1C,A2A,A2C,A2R,A3A,N1A,N1AF,N1C,N5A N5AF,N5C,S1A,S1A1,S3A2
8	16508-ZM0-000	SHAFT COMP., GOVERNOR HOLDER	-	-	-	-	-	-	1	1	-	-	A1A,A1AF,A2R,N1A,N1AF,N5AF,S1A 1887052 A1A,A1C,A1E,A1J,A1P,A1U,A2A,A2C,A2E,A2R,A2U,A3E A4E,N1,N1D,N1E1,N1E2,N1U,N1W,N2,N2D,N2E,N2E1,N2E2 N2E3,N2U,N3V
	16508-ZM0-010	.....	1	-	-	-	-	-	-	-	-	-	A1E7,A1E8,A1G7,A1W2,A1W7,A2E4,A2E7,A2E8,A2E9,A2G7 A7E1,N1E7,N1J1,N1R,N1W1,N1W2,N1W7,N1W8,N1W9,N2E7 N2E8,N2E9,N3U,N7A1 1887053 A1A,A1C,A1E,A1J,A1P,A1U,A2A,A2C,A2E,A2R,A2U,A3E A4E,N1,N1D,N1E1,N1E2,N1U,N1W,N2,N2D,N2E,N2E1,N2E2 N2E3,N2U,N3V
	9	16510-ZM0-010	GOVERNOR ASSY. ....	1	1	1	1	1	1	1	1	1	
	10	16511-ZL8-000	WEIGHT, GOVERNOR .....	2	2	2	2	2	2	2	2	2	
	11	16512-ZM0-000	HOLDER, GOVERNOR WEIGHT .....	1	1	1	1	1	1	1	1	1	
	12	16513-ZE1-000	PIN, GOVERNOR WEIGHT .....	2	2	2	2	2	2	2	2	2	
	13	16531-ZE1-000	SLIDER, GOVERNOR .....	1	1	1	1	1	1	1	1	1	
	14	16541-ZM0-000	SHAFT, GOVERNOR ARM .....	1	1	1	1	1	1	1	1	1	
	15	90014-952-000	BOLT, FLANGE, 6X14(CT200) ...	1	1	1	1	1	1	1	1	1	
	16	90121-952-000	BOLT, FLANGE, 6X25(CT200) ...	8	8	8	8	8	8	8	8	8	
	17	90451-ZE1-000	WASHER, THRUST, 6MM .....	1	1	1	1	1	1	1	1	1	

Ref. No.	Part No.	Description	Reqd. QTY								Serial No.	Parts catalogue code
			GCV 160	GCV 160 A	GCV 160 A0	GCV 160 E	GCV 160 LE	GCV 160 LA	GCV 160 LA0			
18	90602-ZE1-000	CLIP, GOVERNOR HOLDER .....	1	1	1	1	1	1	1			
19	91202-ZL8-003	OIL SEAL, 28X41.25X6 .....	1	1	1	1	-	1	1	-----	-----	A1A,A1AE,A1AF,A1AS,A1AW,A1C,A1E,A1E7,A1E8,A1G7,A1G9,A1J,A1M,A1P,A1U,A1W2,A1W7,A2A,A2A9,A2C,A2E,A2E4,A2E7,A2E8,A2E9,A2G4,A2G7,A2G9,A2U,A3A,A3E,A3E7,A3E9,A3G9,A3T9,A3W7,A3W8,A4E,A4G4,A4G7,A4G9,A7E1,BHH,BHH1,C1E,C1E1,C2E,C2E1,C3E,C3E1,C4E,C4E1,EHBB,E1A2,E1G7,E2G7,NBL1,N1,N1D,N1E1,N1E2,N1E7,N1J1,N1R,N1T8,N1T9,N1U,N1W,N1W1,N1W2,N1W7,N1W8,N1W9,N2,N2D,N2E,N2E1,N2E2,N2E3,N2E7,N2E8,N2E9,N2U,N3T8,N3T9,N3U,N3V,N3W8,N3W9,N7A1,N7S1,RTL1,R1A,R3A,R3A1,STA1,STL1,S1A,S1A1,S1E1,S1G4,S1M,S2E,S2E1,S2E2,S2E3,S2G7,S3A,S3A2,S3E9,S3G9,S3H,S3H2,S4E4,S4E9,S4G4,S4G9
	91202-ZM0-V31	.....	-	-	-	-	1	-	-	-----	-----	A2R,E1A4,E5A4,N1A,N1AF,N1C,N1L,N5A,N5AF,N5C,N5MF,N5R
20	91303-KF0-003	O-RING, 14.8X2.4(ARAI) .....	1	1	1	-	-	1	1	-----	-----	A1AE,A1E,A1E7,A1E8,A1G7,A1P,A1U,A1W2,A1W7,A2E,A2E4,A2E7,A2E8,A2E9,A2G7,A2U,A3E,A4E,A7E1,BHH,BHH1,C1E,C1E1,C2E,C2E1,C3E,C3E1,C4E,C4E1,EHBB,E1A2,E1A4,E1G7,E2G7,E5A4,NBL1,N1E1,N1E2,N1E7,N1R,N1U,N1W,N1W1,N1W2,N1W7,N1W8,N1W9,N2E,N2E1,N2E2,N2E3,N2E7,N2E8,N2E9,N2U,N3U,N3V,N7A1,N7S1,RTL1,R3A,STA1,STL1,S1M,S2G7,S3A,S3H,S3H2
	91303-ZOM-003	O-RING, 14.8X2.4 .....	-	-	-	1	-	-	-	-----	-----	A1E7,A1E8,A1G7,A1G9,A1P,A1W7,A2A9,A2E7,A2E8,A2E9,A2G4,A2G7,A2G9,A3E7,A3E9,A3G9,A3T9,A3W7,A3W8,A4G4,A4G7,A4G9,A7E1,N1E1,N1E2,N1E7,N1R,N1T8,N1T9,N1W7,N1W8,N1W9,N2E7,N2E8,N2E9,N3T8,N3T9,N3W8,N3W9,N7A1,S1E1,S1G4,S2E,S2E1,S2E2,S2E3,S3E9,S3G9,S4E4,S4E9,S4G4,S4G9
			-	-	-	-	1	-	-			
21	94101-06800	WASHER, PLAIN, 6MM .....	1	1	1	1	1	1	1			
22	94251-08000	PIN, LOCK, 8MM .....	1	1	1	1	1	1	1			
23	94301-08200	DOWEL PIN, 8X20 .....	2	2	2	2	2	2	2			
24	90131-883-000	BOLT, DRAIN PLUG, 12X15 .....	-	1	1	-	-	1	1	-----	-----	E1A4,E5A4,N1A,N1AF,N1C,N1L,N5A,N5AF,N5C,N5MF
25	94109-12000	WASHER, DRAIN PLUG, 12MM .....	-	1	1	-	-	1	1	-----	-----	E1A4,E5A4,N1A,N1AF,N1C,N1L,N5A,N5AF,N5C,N5MF
26	91231-891-003	OIL SEAL, 6X11X4(ARAI) .....	1	1	-	1	1	1	1	-----	-----	A7E1,A7H1,N7A1,N7S1



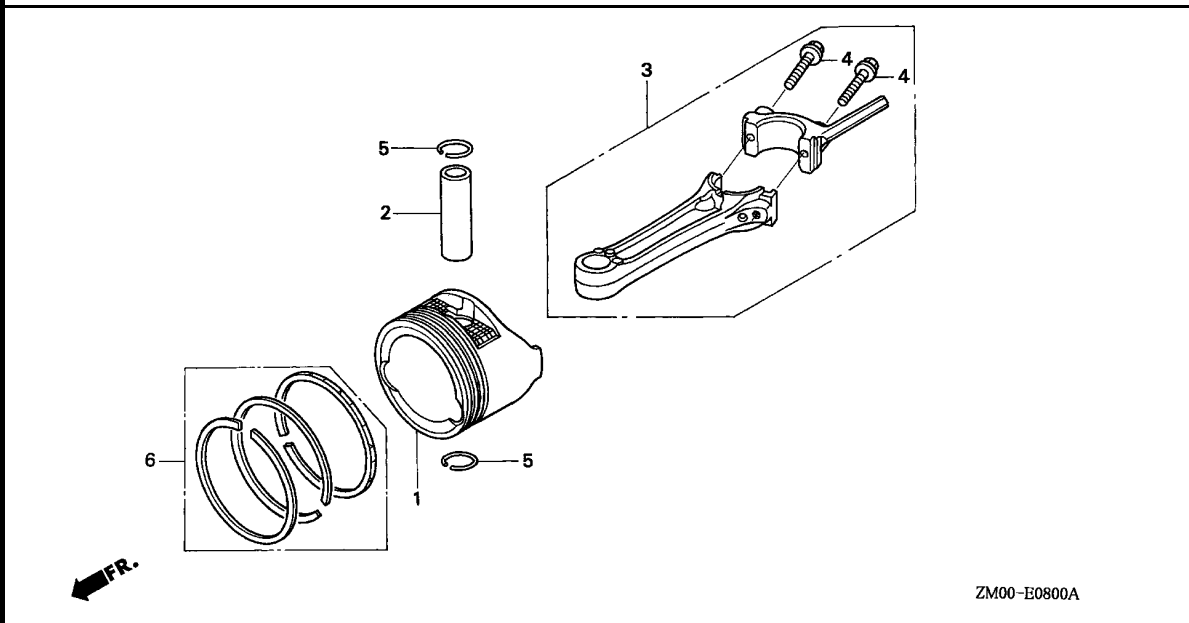


Ref. No.	L.O.N.	(Relative ref. Number) Description	F.R.T.
1	1101F0	(2,3,4,6,7,8,9,10) CRANKSHAFT .....	1.0

FR.

ZM00E0700G

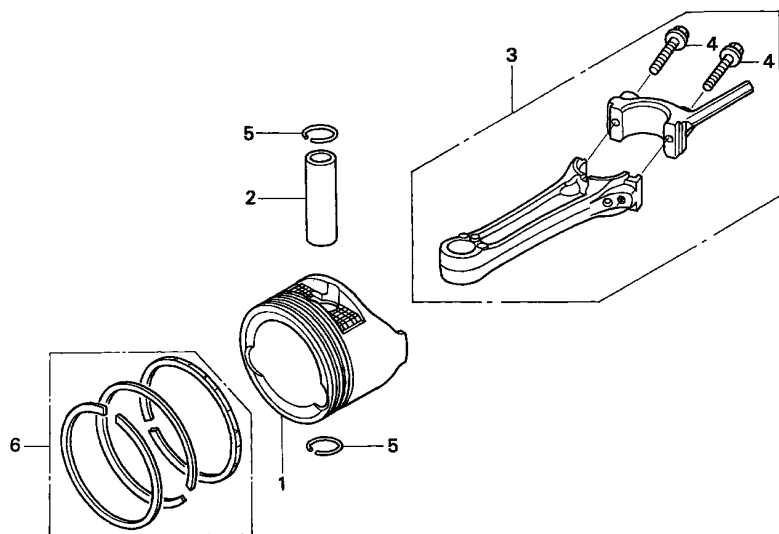
Ref. No.	Part No.	Description	Reqd. QTY								Serial No.	Parts catalogue code
			GCV 160	GCV 160 A	GCV 160 A0	GCV 160 E	GCV 160 LE	GCV 160 LA	GCV 160 LA0			
1	13310-ZM0-000	CRANKSHAFT COMP. ....	1	1	1	1	-	1	1	-----	A1A,A1AE,A1AF,A1AS,A1AW,A1C,A1E,A1E7,A1E8,A1G7,A1G9,A1J,A1M,A1P,A1U,A1W2,A1W7,C1E,C1E1,E1A2,E1A4,E1G7,N1,N1A,N1AF,N1C,N1D,N1E1,N1E2,N1E7,N1J1,N1L,N1R,N1T8,N1T9,N1U,N1W,N1W1,N1W2,N1W7,N1W8,N1W9,R1A,S1A,S1A1,S1E1,S1G4,S1M	
2	13310-ZM0-600	CRANKSHAFT COMP. ....	1	1	1	1	1	1	1	-----	A2A,A2A9,A2C,A2E,A2E4,A2E7,A2E8,A2E9,A2G4,A2G7,A2G9,A2R,A2U,C2E,C2E1,E2G7,N2,N2D,N2E,N2E1,N2E2,N2E3,N2E7,N2E8,N2E9,N2U,S2E,S2E1,S2E2,S2E3,S2G7	
3	13310-ZM0-610	CRANKSHAFT COMP. ....	1	1	1	1	-	1	1	-----	A3A,A3E,A3E7,A3E9,A3G9,A3T9,A3W7,A3W8,C3E,C3E1,N3T8,N3T9,N3U,N3V,N3W8,N3W9,R3A,S3A,S3A2,S3E9,S3G9,S3H,S3H2	
4	13310-ZM0-620	CRANKSHAFT COMP. ....	1	1	1	1	1	-	-	-----	A4A9,A4E,A4G4,A4G7,A4G9,C4E,C4E1,S4E4,S4E9,S4G4,S4G9	
5	90402-ZL8-000	WASHER, THRUST .....	1	1	1	1	1	1	1	-----		
6	13310-ZOL-650	CRANKSHAFT COMP. ....	-	1	-	-	-	1	1	-----	E5A4,N5A,N5AF,N5C,N5MF,N5R	
7	13310-ZM0-640	CRANKSHAFT COMP. ....	-	1	1	-	-	1	1	-----	BHH,BHH1,EHHB	
8	13310-ZOL-780	CRANKSHAFT COMP. ....	1	1	-	1	1	1	1	-----	A7E1,A7H1,N7A1,N7S1	
9	13310-ZOL-V70	CRANKSHAFT COMP. ....	-	1	-	-	-	-	-	-----	RTL1,R3A1,STA1,STL1	
10	13310-ZOL-S20	CRANKSHAFT COMP. ....	-	1	-	-	-	-	-	-----	NBL1	



Ref. No.	L.O.N.	(Relative ref. Number) Description	F.R.T.
1	1111R1	(2,3,6) PISTON AND/OR RING SET AND/OR BEARING AND/OR ROD ..... .INCLUDES: Inspection/ Measurement/Cleaning	1.1

Ref. No.	Part No.	Description	Reqd. QTY								Serial No.	Parts catalogue code
			GCV 160	GCV 160 A	GCV 160 AO	GCV 160 E	GCV 160 LE	GCV 160 LA	GCV 160 LAO			
1	13101-ZL8-000	PISTON .....	1	-	-	-	-	-	-	-	5383514	A1A,A1AE,A1AF,A1AS,A1C,A1E,A1E7,A1E8,A1W7,A2A,A2C,A2E7,A2E8,A2E9,A2G7,A2R,A3A,A3E,A7E1,BHH,NBL1,N1A,N1AF,N1C,N1E1,N1E7,N1R,N1U,N1W7,N1W8,N1W9,N2E7,N2E8,N2E9,N2U,N3U,N3V,N5A,N5AF,N5C,N7A1,RTL1,STA1,STL1,S1A,S1A1,S3A
			-	1	-	-	-	-	-	-	8024760	EHHB,E1A2,E1A4,E1G7,E2G7,E5A4,R1A,R3A,R3A1
			-	-	-	1	-	-	-	-	2033972	A1E7,A1E8,A1G7,A1G9,A1P,A1W7,A2A9,A2E7,A2E8,A2E9,A2G4,A2G7,A2G9,A2R,A3E7,A3W7,A3W8,A7E1,N1D,N1E1,N1E2,N1E7,N1J1,N1R,N1T8,N1T9,N1W7,N1W8,N1W9,N2E7,N2E8,N2E9,N3T8,N3T9,N3W8,N3W9,N7A1,S1E1,S2E,S2E1
	13101-Z2A-000	.....	-	1	-	-	-	-	-	-	5383514	A1M,BHH1,N1L,N5MF,N5R,N7S1,S1M,S2G7,S3A2,S3H,S3H2
			-	-	-	1	-	-	-	-	2033978	A3E9
			-	-	-	1	-	-	-	2033973	2033978	A1E7,A1E8,A1G7,A1G9,A1P,A1W7,A2A9,A2E7,A2E8,A2E9,A2G4,A2G7,A2G9,A2R,A3E7,A3W7,A3W8,A7E1,N1D,N1E1,N1E2,N1E7,N1J1,N1R,N1T8,N1T9,N1W7,N1W8,N1W9,N2E7,N2E8,N2E9,N3T8,N3T9,N3W8,N3W9,N7A1,S1E1,S2E,S2E1



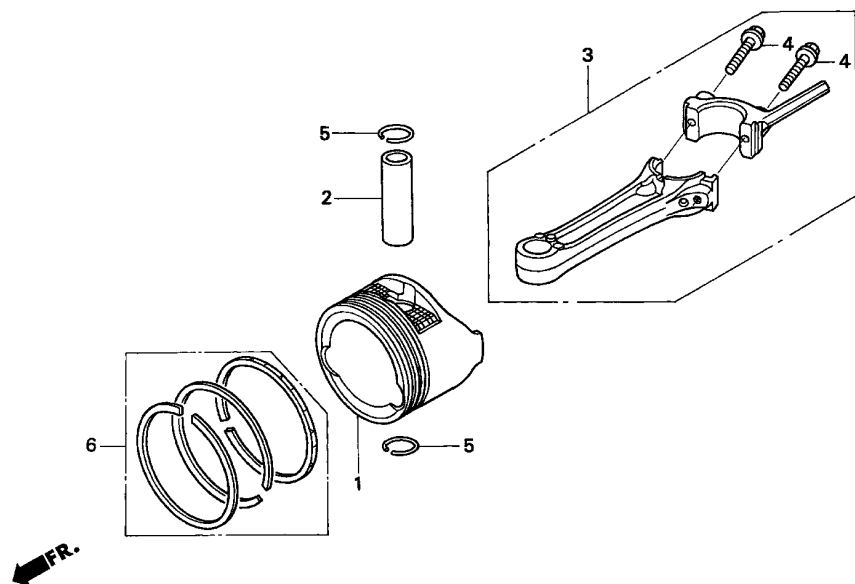


ZM00-E0800A

Ref. No.	Part No.	Description	Reqd. QTY								Serial No.	Parts catalogue code
			GCV 160	GCV 160 A	GCV 160 AO	GCV 160 E	GCV 160 LE	GCV 160 LA	GCV 160 LAO			
(1)	13101-Z2A-010	PISTON .....	-	1	-	1	-	-	-	-	-	A1AW,A3G9,A3T9,A4G4,A4G7,A4G9,C1E,C1E1,C2E,C2E1,C3E,C3E1,C4E,C4E1,S1G4,S2E2,S2E3,S3E9,S3G9,S4E4,S4E9,S4G4,S4G9
			-	1	-	-	-	-	-	5383515	-	A1A,A1AE,A1AF,A1AS,A1C,A1E,A1E7,A1E8,A1M,A1W7,A2A,A2C,A2E7,A2E8,A2E9,A2G7,A2R,A3A,A3E,A7E1,BHH,BHH1,NBL1,N1A,N1AF,N1C,N1E1,N1E7,N1L,N1R,N1U,N1W7,N1W8,N1W9,N2E7,N2E8,N2E9,N2U,N3U,N3V,N5A,N5AF,N5C,N5MF,N5R,N7A1,N7S1,RTL1,STA1,STL1,S1A,S1A1,S1M,S2G7,S3A,S3A2,S3H,S3H2
			-	1	-	-	-	-	-	8024761	-	EHHB,E1A2,E1A4,E1G7,E2G7,E5A4,R1A,R3A,R3A1
			-	-	-	1	-	-	-	2033979	-	A1E7,A1E8,A1G7,A1G9,A1P,A1W7,A2A9,A2E7,A2E8,A2E9,A2G4,A2G7,A2G9,A2R,A3E7,A3E9,A3W7,A3W8,A7E1,N1D,N1E1,N1E2,N1E7,N1J1,N1R,N1T8,N1T9,N1W7,N1W8,N1W9,N2E7,N2E8,N2E9,N3T8,N3T9,N3W8,N3W9,N7A1,S1E1,S2E,S2E1
2	13111-ZE0-000	PIN, PISTON .....	1	1	1	1	1	1	1			
3	13200-ZL9-000	ROD ASSY., CONNECTING .....	1	-	-	-	-	-	-			A1J
	13200-ZL8-000	.....	1	1	-	-	-	-	-			A1A,A1AE,A1AF,A1AS,A1C,A1E,A1E7,A1E8,A1G7,A1M,A1P,A1U,A1W2,A1W7,A2A,A2C,A2E,A2E4,A2E7,A2E8,A2E9,A2G7,A2R,A2U,A3A,A3E,A4E,A7E1,BHH,EHHB,E1A2,E1A4,E1G7,E2G7,E5A4,NBL1,N1,N1A,N1AF,N1C,N1D,N1E1,N1E2,N1E7,N1J1,N1L,N1R,N1U,N1W,N1W1,N1W2,N1W7,N1W8,N1W9,N2,N2D,N2E,N2E1,N2E2,N2E3,N2E7,N2E8,N2E9,N2U,N3U,N3V,N5A,N5AF,N5C,N7A1,N7S1,RTL1,R1A,R3A,R3A1,STA1,STL1,S1A,S1A1,S3A,S3A2,S3H,S3H2
			-	-	-	1	1	-	-			

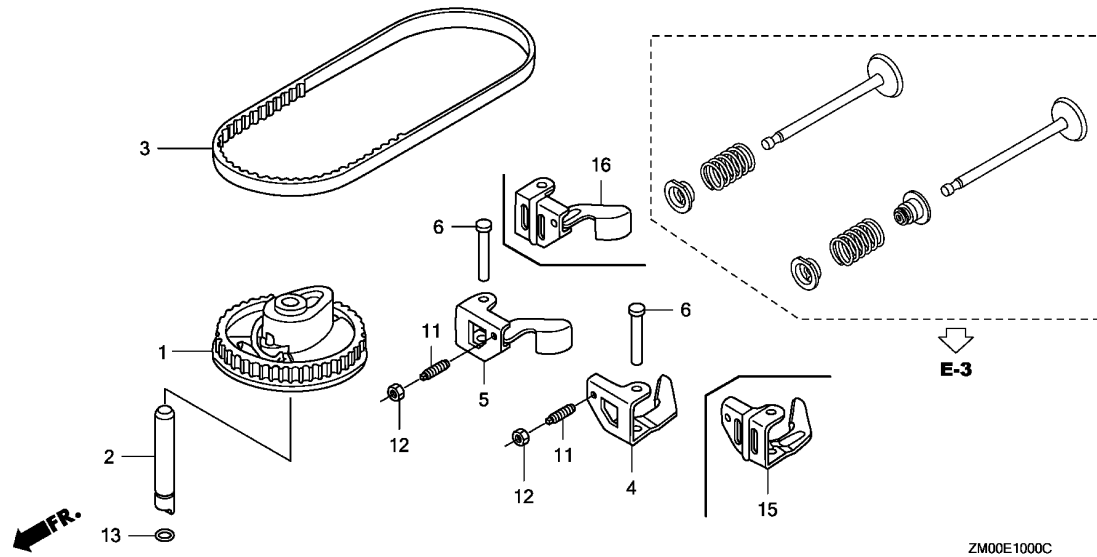
Ref. No.	Part No.	Description	Reqd. QTY								Serial No.	Parts catalogue code
			GCV 160	GCV 160 A	GCV 160 AO	GCV 160 E	GCV 160 LE	GCV 160 LA	GCV 160 LAO			
(3)	13200-Z0J-000	ROD ASSY., CONNECTING .....	-	1	-	-	-	-	-	-	-	A1AW,BHH1,C1E,C1E1,C2E,C2E1,C3E,C3E1,C4E,C4E1,N5MF,N5R,S1M,S2G7
4	90001-ZE1-000	BOLT, CONNECTING ROD .....	-	-	1	-	-	1	1			
5	90551-ZE0-000	CLIP, PISTON PIN, 13MM .....	2	2	2	2	2	2	2			
6	13010-ZL8-003	RING SET, PISTON (RIKEN) ....	1	-	-	-	-	-	-	-	-	
			-	1	-	-	-	-	-	-	-	5383514 A1A,A1AE,A1AF,A1AS,A1C,A1E,A1E7,A1E8,A1W7,A2A,A2C,A2E7,A2E8,A2E9,A2G7,A2R,A3A,A3E,A7E1,BHH,NBL1,N1A,N1AF,N1C,N1E1,N1E7,N1R,N1U,N1W7,N1W8,N1W9,N2E7,N2E8,N2E9,N2U,N3U,N3V,N5A,N5AF,N5C,N7A1,RTL1,STA1,STL1,S1A,S1A1,S3A
			-	1	-	-	-	-	-	-	-	8024760 EHBB,E1A2,E1A4,E1G7,E2G7,E5A4,R1A,R3A,R3A1
			-	-	-	1	-	-	-	-	-	2033972 A1E7,A1E8,A1G7,A1G9,A1P,A1W7,A2A9,A2E7,A2E8,A2E9,A2G4,A2G7,A2G9,A2R,A3E7,A3W7,A3W8,A7E1,N1D,N1E1,N1E2,N1E7,N1J1,N1R,N1T8,N1T9,N1W7,N1W8,N1W9,N2E7,N2E8,N2E9,N3T8,N3T9,N3W8,N3W9,N7A1,S1E1,S2E,S2E1
	13010-ZL8-004	RING SET, PISTON (TEIKOKU) ..	1	-	-	-	-	-	-	-	-	A1J,A1U,A2U,A4E,N2D,N2E2
	13010-ZL8-024	.....	1	-	-	-	-	-	-	-	-	A1A,A1C,A1E,A1E7,A1E8,A1G7,A1P,A1W2,A1W7,A2A,A2C,A2E,A2E4,A2E7,A2E8,A2E9,A2G7,A2R,A3E,A7E1,N1,N1D,N1E1,N1E2,N1E7,N1J1,N1R,N1U,N1W,N1W1,N1W2,N1W7,N1W8,N1W9,N2,N2E,N2E1,N2E3,N2E7,N2E8,N2E9,N2U,N3U,N3V,N7A1
			-	1	-	-	-	-	-	-	-	5383514 A1A,A1AE,A1AF,A1AS,A1C,A1E,A1E7,A1E8,A1W7,A2A,A2C,A2E7,A2E8,A2E9,A2G7,A2R,A3A,A3E,A7E1,BHH,NBL1,N1A,N1AF,N1C,N1E1,N1E7,N1R,N1U,N1W7,N1W8,N1W9,N2E7,N2E8,N2E9,N2U,N3U,N3V,N5A,N5AF,N5C,N7A1,RTL1,STA1,STL1,S1A,S1A1,S3A
			-	1	-	-	-	-	-	-	-	8024760 EHBB,E1A2,E1A4,E1G7,E2G7,E5A4,R1A,R3A,R3A1
			-	-	-	1	-	-	-	-	-	2033972 A1E7,A1E8,A1G7,A1G9,A1P,A1W7,A2A9,A2E7,A2E8,A2E9,A2G4,A2G7,A2G9,A2R,A3E7,A3W7,A3W8,A7E1,N1D,N1E1,N1E2,N1E7,N1J1,N1R,N1T8,N1T9,N1W7,N1W8,N1W9,N2E7,N2E8,N2E9,N3T8,N3T9,N3W8,N3W9,N7A1,S1E1,S2E,S2E1
	13010-Z0L-003	RING SET, PISTON (RIKEN) ....	-	1	-	1	-	-	-	-	-	5383514 A1M,BHH1,N1L,N5MF,N5R,N7S1,S1M,S2G7,S3A2,S3H,S3H2
			-	1	-	-	-	-	-	-	-	2033978 A3E9
			-	-	-	1	-	-	-	-	-	2033973 2033978 A1E7,A1E8,A1G7,A1G9,A1P,A1W7,A2A9,A2E7,A2E8,A2E9,A2G4,A2G7,A2G9,A2R,A3E7,A3W7,A3W8,A7E1,N1D,N1E1,N1E2,N1E7,N1J1,N1R,N1T8,N1T9,N1W7,N1W8,N1W9,N2E7,N2E8,N2E9,N3T8,N3T9,N3W8,N3W9,N7A1,S1E1,S2E,S2E1
	13010-Z0L-004	RING SET, PISTON (STD.) (TEIKOKU)	-	1	-	-	-	-	-	-	-	5383514 A1M,BHH1,N1L,N5MF,N5R,N7S1,S1M,S2G7,S3A2,S3H,S3H2
			-	-	-	1	-	-	-	-	-	2033978 A3E9
			-	-	-	1	-	-	-	-	-	2033973 2033978 A1E7,A1E8,A1G7,A1G9,A1P,A1W7,A2A9,A2E7,A2E8,A2E9,A2G4,A2G7,A2G9,A2R,A3E7,A3W7,A3W8,A7E1,N1D,N1E1,N1E2,N1E7,N1J1,N1R,N1T8,N1T9,N1W7,N1W8,N1W9,N2E7,N2E8,N2E9,N3T8,N3T9,N3W8,N3W9,N7A1,S1E1,S2E,S2E1





ZM00-E0800A

Ref. No.	Part No.	Description	Reqd. QTY								Serial No.	Parts catalogue code
			GCV 160	GCV 160 A	GCV 160 A0	GCV 160 E	GCV 160 LE	GCV 160 LA	GCV 160 LA0			
(6)	13010-ZOL-014	RING SET, PISTON (STD.) (TEIKOKU)	-	1	-	1	-	-	-	-	-	A1AW, A3G9, A3T9, A4G4, A4G7, A4G9, C1E, C1E1, C2E, C2E1, C3E, C3E1, C4E, C4E1, S1G4, S2E2, S2E3, S3E9, S3G9, S4E4, S4E9, S4G4, S4G9
			-	1	-	-	-	-	-	5383515	A1A, A1AE, A1AF, A1AS, A1C, A1E, A1E7, A1E8, A1M, A1W7, A2A, A2C, A2E7, A2E8, A2E9, A2G7, A2R, A3A, A3E, A7E1, BHH, BHH1, NBL1, N1A, N1AF, N1C, N1E1, N1E7, N1L, N1R, N1U, N1W7, N1W8, N1W9, N2E7, N2E8, N2E9, N2U, N3U, N3V, N5A, N5AF, N5C, N5MF, N5R, N7A1, N7S1, RTL1, STA1, STL1, S1A, S1A1, S1M, S2G7, S3A, S3A2, S3H, S3H2	
			-	1	-	-	-	-	-	8024761	EHHB, E1A2, E1A4, E1G7, E2G7, E5A4, R1A, R3A, R3A1	
			-	-	1	-	1	1	1	2033979	A1E7, A1E8, A1G7, A1G9, A1P, A1W7, A2A9, A2E7, A2E8, A2E9, A2G4, A2G7, A2G9, A2R, A3E7, A3E9, A3W7, A3W8, A7E1, N1D, N1E1, N1E2, N1E7, N1J1, N1R, N1T8, N1T9, N1W7, N1W8, N1W9, N2E7, N2E8, N2E9, N3T8, N3T9, N3W8, N3W9, N7A1, S1E1, S2E, S2E1	

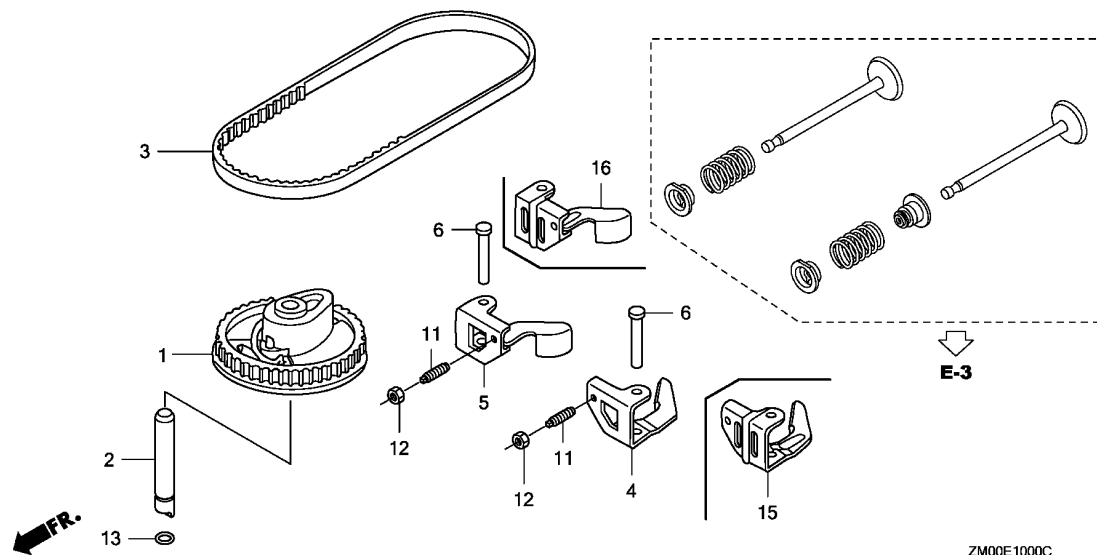


Ref. No.	L.O.N.	(Relative ref. Number) Description	F.R.T.
1	1111N5	PULLEY, CAMSHAFT ..... .INCLUDES: Valve clearance adjustment (13)	0.4
2	1111R8	SHAFT, CAM PULLEY ..... .INCLUDES: Valve clearance adjustment	0.4
3	1111N6	BELT, TIMING ..... .INCLUDES: Valve clearance adjustment	1.0
4	1111A2	ARM, ROCKER :INTAKE ..... .INCLUDES: Valve clearance adjustment	0.3
	1111A2A	.Replace exhaust rocker arm add	0.1
5	1111A1	ARM, ROCKER :EXHAUST ..... .INCLUDES: Valve clearance adjustment	0.3
	1111A1A	.Replace intake rocker arm add	0.1

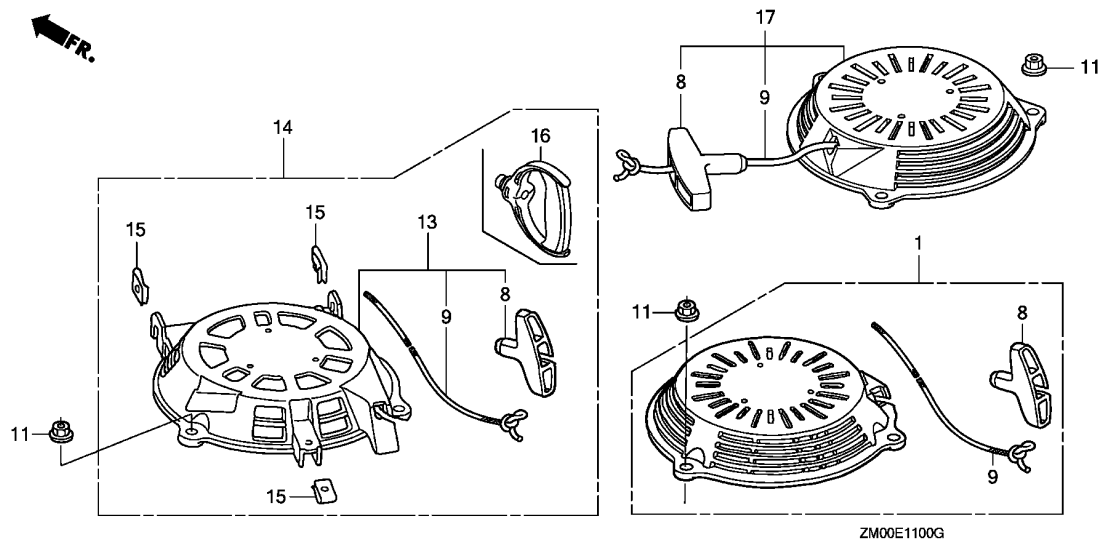
Ref. No.	Part No.	Description	Reqd. QTY								Serial No.	Parts catalogue code
			GCV 160	GCV 160 A	GCV 160 AO	GCV 160 E	GCV 160 LE	GCV 160 LA	GCV 160 LAO			
1	14320-ZL8-000	PULLEY COMP., CAMSHAFT .....	1	1	-	-	-	-	-	-	-	A1A,A1C,A1J,A1P,A1U,A1W2,A2A,A2C,A2E,A2E4,A2G7,A2R A2U,A4E,N1,N1A,N1C,N1D,N1E2,N1U,N1W,N1W1,N1W2,N2 N2D,N2E,N2E1,N2E2,N2E3,N2U,N3V,N5A,N5C A1E,A1W7,A3E,N1E1,N1W8,N1W9,N3U A1AE,A1AF,A1AS,A1AW,A1E7,A1E8,A1G7,A1M,A2E7,A2E8 A2E9,A3A,A7E1,BHH,BHH1,C1E,C1E1,C2E,C2E1,C3E,C3E1 C4E,C4E1,EHHB,E1A2,E1A4,E1G7,E2G7,E5A4,NBL1,N1AF N1E7,N1J1,N1L,N1R,N1W7,N2E7,N2E8,N2E9,N5AF,N5MF N5R,N7A1,N7S1,RTL1,R1A,R3A,R3A1,STA1,STL1,S1A,S1A1 S1M,S2G7,S3A,S3A2,S3H,S3H2 A1E,A1W7,A3E,N1E1,N1W8,N1W9,N3U
	14320-ZL8-010	.....	1	1	-	-	-	-	-	-	-	
2	14324-ZL8-000	SHAFT, CAM PULLEY .....	1	1	1	1	1	1	1	1	1	
3	14400-ZL8-003	BELT, TIMING (84HU7 G-200) ..	1	-	-	-	-	-	-	-	-	A1A,A1C,A1E,A1J,A1P,A1U,A1W2,A1W7,A2A,A2C,A2E,A2E4 A2G7,A2R,A2U,A3E,A4E,N1,N1D,N1E1,N1E2,N1U,N1W,N1W1 N1W2,N1W8,N1W9,N2,N2D,N2E,N2E1,N2E2,N2E3,N2U,N3U N3V A1E7,A1E8,A1G7,A2E7,A2E8,A2E9,A7E1,N1E7,N1J1,N1R N1W7,N2E7,N2E8,N2E9,N7A1
	14400-ZL8-013	.....	1	-	-	-	-	-	-	-	-	
	14400-Z0J-004	.....	-	1	-	-	1	1	-	-	-	A1A,A1C,A2A,A2C,A2G7,A2R,N1A,N1C,N1U,N2U,N3V,N5A N5C A1AE,A1AF,A1AS,A1AW,A1E,A1E7,A1E8,A1M,A1W7,A2E7 A2E8,A2E9,A3A,A3E,A7E1,BHH,BHH1,C1E,C1E1,C2E,C2E1 C3E,C3E1,C4E,C4E1,EHHB,E1A2,E1A4,E1G7,E2G7,E5A4 NBL1,N1AF,N1E1,N1E7,N1L,N1R,N1W7,N1W8,N1W9,N2E7 N2E8,N2E9,N3U,N5AF,N5MF,N5R,N7A1,N7S1,RTL1,R1A,R3A R3A1,STA1,STL1,S1A,S1A1,S1M,S2G7,S3A,S3A2,S3H,S3H2
	14400-Z0J-014	.....	-	1	-	-	-	-	-	-	-	
			-	-	1	-	-	1	1			







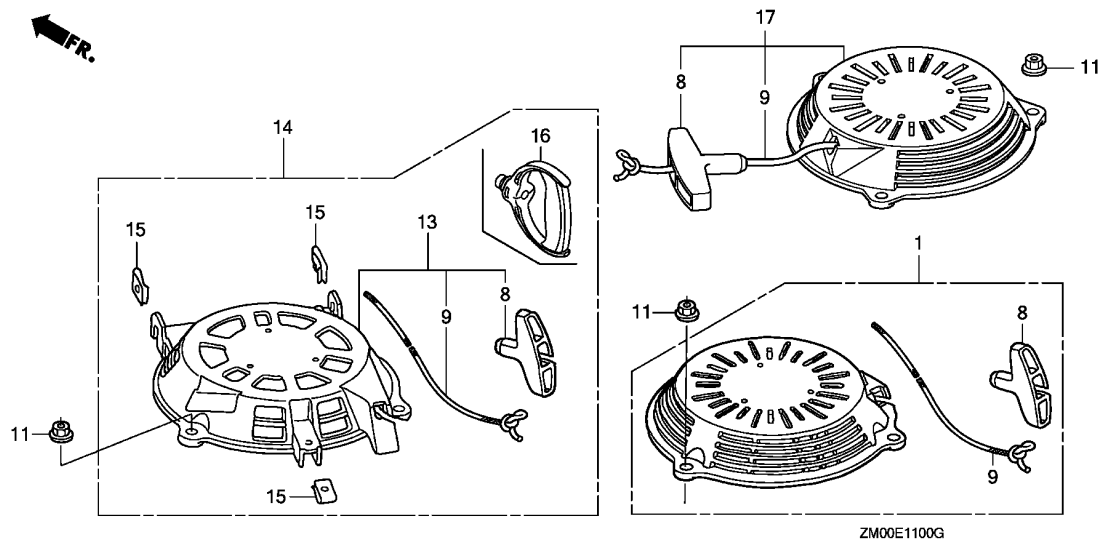
Ref. No.	Part No.	Description	Reqd. QTY								Serial No.	Parts catalogue code
			GCV 160	GCV 160 A	GCV 160 A0	GCV 160 E	GCV 160 LE	GCV 160 LA	GCV 160 LA0			
4	14431-ZL8-000	ARM, IN. VALVE ROCKER .....	1	-	-	-	-	-	-	-		
5	14441-ZL8-000	ARM, EX. VALVE ROCKER .....	1	-	-	-	-	-	-	-		
6	14461-ZL8-000	SHAFT, ROCKER ARM .....	2	2	2	2	2	2	2	2		
11	90012-333-000	SCREW, TAPPET ADJUSTING .....	2	2	2	2	2	2	2	2		
12	90206-001-000	NUT, TAPPET ADJUSTING .....	2	2	2	2	2	2	2	2		
13	91301-ZM0-V31	O-RING, 6.8X1.9(ARAI) .....	1	1	1	-	-	-	1	1		
	91301-Z0M-003	O-RING, 6.8X1.9 .....	-	-	-	1	1	1	-	-		
15	14431-Z0J-000	ARM, IN. VALVE ROCKER .....	-	1	1	1	1	1	1	1		
16	14441-Z0J-000	ARM, EX. VALVE ROCKER .....	-	1	1	1	1	1	1	1		



Ref. No.	L.O.N.	(Relative ref. Number) Description	F.R.T.
1		(13,14,17) STARTER, RECOIL	0.1
8	1121B9	(16) GRIP, RECOIL STARTER	0.1
9	1121A3	ROPE, RECOIL STARTER	0.3

Ref. No.	Part No.	Description	Reqd. QTY							Serial No.	Parts catalogue code	
			GCV 160	GCV 160 A	GCV 160 A0	GCV 160 E	GCV 160 LE	GCV 160 LA	GCV 160 LA0			
1	28400-ZM0-003ZA	STARTER ASSY., RECOIL	1	-	-	-	-	-	-	-	1297891	N1D,N1E1,N1E2,N1U,N2D,N2E,N2E1,N2E2,N2E3,N2U
	28400-ZM0-003ZB	*NH1*.....BLACK	1	-	-	-	-	-	-	-	1297891	N1E2,N1U,N2E,N2E3,N2U,N3V
	28400-ZM0-013ZA	*R8*.....BRIGHT RED	1	-	-	-	-	-	-	-		N1E7,N1J1,N2E7,N2E8,N2E9
	28400-ZM0-013ZB	*NH1*.....BLACK	1	-	-	-	-	-	-	-	1297892	N1D,N1E1,N1E2,N1U,N2D,N2E,N2E1,N2E2,N2E3,N2U
	28400-ZM0-013ZB	*R8*.....BRIGHT RED	1	-	-	-	-	-	-	-	2146956	A2R
	28400-ZM0-013ZC	*R280*.....POWER RED	1	-	-	-	-	-	-	-	2424487	N2E7,N2E9
	28400-ZM0-023ZA	*NH1*.....BLACK	1	-	-	-	-	-	-	-	1297892	N1E2,N1U,N2E,N2E3,N2U,N3V
	28400-ZM0-023ZC	*R280*.....POWER RED	1	-	-	-	-	-	-	-	2424488	N1E2,N1U,N2E,N2E3,N2E7,N2E9,N2U,N3V
	28400-ZM0-023ZC	*NH1*.....BLACK	-	1	1	1	-	-	-	-		N1D,N1E1,N1E2,N1E7,N1J1,N1U,N2E7,N2E8,N2E9,N2U
	28400-ZL8-013ZA	*NH1*.....BLACK	-	1	1	1	-	-	-	-		N1D,N1E1,N1E2,N1J1,N2E7,N2E9,N3V
	28400-ZL8-023ZA	*NH1*.....BLACK	1	-	-	-	-	-	-	-		N1E7,N2E8
	28400-ZL8-023ZC	*R280*.....POWER RED	1	-	-	-	-	-	-	-	2146957	A7E1,N3V,N7A1
	28400-ZM0-631ZA	STARTER ASSY., RECOIL (LONG ROPE)	1	-	-	-	-	-	-	-		A2R
	28400-ZM0-631ZB	*NH1*.....BLACK	1	-	-	-	-	-	-	-	1297891	A1A,A1C,A1E,A1J,A1U,A2A,A2C,A2E,A2U,A3E,A4E,N1,N2
	28400-ZM0-632ZA	*R8*.....BRIGHT RED	1	-	-	-	-	-	-	-	1297891	A1E,A1P,A2E
	28400-ZM0-632ZA	*NH1*.....BLACK	1	-	-	-	-	-	-	-		A1E7,A1E8,A1G7,A2E4,A2E7,A2E8,A2E9,A2G7,N1W,N1W7,N1W8,N1W9,N3U
			1	-	-	-	-	-	-	-	1297892	A1A,A1C,A1E,A1J,A1U,A2A,A2C,A2E,A2U,A3E,A4E,N1,N2



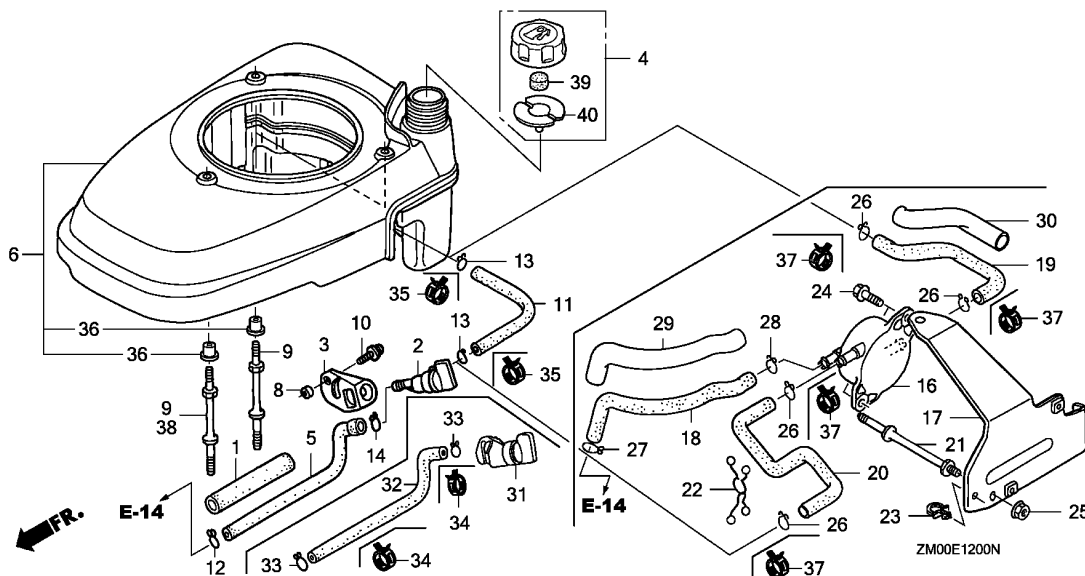


2

Ref. No.	Part No.	Description	Reqd. QTY								Serial No.	Parts catalogue code
			GCV 160	GCV 160 A	GCV 160 A0	GCV 160 E	GCV 160 LE	GCV 160 LA	GCV 160 LA0			
(1)	28400-ZM0-632ZB	STARTER ASSY., RECOIL (LONG ROPE)										
	*R8*	BRIGHT RED	1	-	-	-	-	-	-	-	2425099	A1E7, A1E8, A2E4, A2E7, A2E8, A2E9, A2G7, N1R
			1	-	-	-	-	-	-	-	1297892	2425099 A1E, A1P, A2E
	28400-ZM0-632ZC	*YR288R* CANOA ORANGE R	1	-	-	-	-	-	-	-	-	S2E
	28400-ZM0-632ZD	*R280* POWER RED	1	-	-	-	-	-	-	-	-	A1W2, A1W7, N1W1, N1W2, N1W8, N1W9
			1	-	-	-	-	-	-	-	-	N3U
	28400-ZM0-633ZA	*NH1* BLACK	-	1	1	1	1	1	1	1	2425100	A1E, A1E7, A1E8, A1P, A2E, A2E4, A2E7, A2E8, A2E9, A2G7, N1R
			-	1	1	1	1	1	1	1	-	A1A, A1AE, A1AF, A1AS, A1AW, A1C, A1E, A1E7, A1E8, A1G7, A1M
			-	1	1	1	1	1	1	1	-	A1P, A2A, A2C, A2E7, A2E8, A2E9, A2G7, A3A, A3E, A3E7, A3T9
			-	1	1	1	1	1	1	1	-	A3W8, A4A9, A4G7, C1E, C2E, C3E, C4E, EHHB, E1A2, E1G7, E2G7
			-	1	1	1	1	1	1	1	-	N1R, N1T8, N1T9, N1W7, N3T8, N3T9, N3U, N3W8, N3W9, R1A, R3A
			-	1	1	1	1	1	1	1	-	S1A, S1M, S2E, S2G7, S3A2, S3H
			-	1	1	1	1	1	1	1	3396966	BHH, S3A, S3H2
			-	1	1	1	1	1	1	1	-	A1W7, N1W8, N1W9
			-	1	1	1	1	1	1	1	-	A2A9
	28400-ZM0-633ZC	*YR288R* CANOA ORANGE R	-	1	1	1	-	1	1	1	-	A1W7, A3W7, A3W8, C1E, C2E, E1G7, E2G7, N1W8, N1W9, N3W8
			-	1	1	1	-	1	1	1	-	N3W9, R1A, R3A
	28400-ZM0-633ZD	*R280* POWER RED	-	1	1	1	-	1	1	1	-	N1W7
			-	1	1	1	-	1	1	1	-	A1E, A1E7, A1E8, A1P, A2E7, A2E8, A2E9, A2G7, A3E, C1E, C2E
			-	1	1	1	-	1	1	1	-	EHHB, E1A2, E1G7, E2G7, N1R, N3U, R1A, R3A
			-	1	1	1	-	1	1	1	-	N1W7
	28400-ZM0-633ZE	*T98* MTD RED	-	1	1	1	-	1	1	1	-	S3H
	28400-ZOL-V20ZA	*NH1* BLACK	-	1	1	1	-	1	1	1	-	BHH1
			-	1	1	1	-	1	1	1	3396967	BHH, S3A, S3H2
			-	1	1	1	-	1	1	1	-	BHH, S3A, S3H2
	28400-ZOL-V20ZB	*R280* POWER RED	-	1	1	1	-	1	1	1	-	BHH1
	28400-ZOL-V20ZC	*T98* MTD RED	-	1	1	1	-	1	1	1	-	S3A

Ref. No.	Part No.	Description	Reqd. QTY								Serial No.	Parts catalogue code		
			GCV 160	GCV 160 A	GCV 160 AO	GCV 160 E	GCV 160 LE	GCV 160 LA	GCV 160 LAO					
8	28461-ZL8-003	GRIP, STARTER .....	1	-	1	1	1	1	1	1	1	-----	-----	A1A,A1AE,A1AF,A1AS,A1AW,A1C,A1E,A1E7,A1E8,A1M,A1W7,A2A,A2C,A2E7,A2E8,A2E9,A2G7,A2R,A3A,A3E,A7E1,BHH,BHH1,C1E,C1E1,C2E,C2E1,C3E,C3E1,C4E,C4E1,EHBB,E1A2,E1A4,E1G7,E2G7,E5A4,N1A,N1AF,N1C,N1E1,N1E7,N1L,N1R,N1U,N1W7,N1W8,N1W9,N2E7,N2E8,N2E9,N2U,N3U,N3V,N5A,N5AF,N5C,N5MF,N5R,N7A1,N7S1,R1A,R3A,S1A,S1A1,S1M,S2G7,S3A,S3A2,S3H,S3H2
9	28462-ZL8-003	ROPE, RECOIL STARTER .....	1	1	1	1	1	1	1	1	-----	-----	A2R,A7E1,A7H1,E1A4,E5A4,N1A,N1AF,N1C,N1D,N1E1,N1E2,N1E7,N1J1,N1L,N1U,N2D,N2E,N2E1,N2E2,N2E3,N2E7,N2E8,N2E9,N2U,N3V,N5A,N5AF,N5C,N5MF,N5R,N7A1,N7S1	
	28462-ZOL-V71	ROPE, RECOIL STARTER (LONG TYPE)	-	1	-	-	-	-	-	-	-----	-----	NBL1,RTL1,R3A1,STA1,STL1	
	28462-ZL8-631	.....	1	1	1	1	1	1	1	1	-----	-----	A1A,A1AE,A1AF,A1AS,A1AW,A1C,A1E,A1E7,A1E8,A1G7,A1G9,A1J,A1M,A1P,A1U,A1W2,A1W7,A2A,A2A9,A2C,A2E,A2E4,A2E7,A2E8,A2E9,A2G4,A2G7,A2G9,A2U,A3A,A3E,A3E7,A3E9,A3G9,A3T9,A3W7,A3W8,A4A9,A4E,A4G4,A4G7,A4G9,C1E,C1E1,C2E,C2E1,C3E,C3E1,C4E,C4E1,EHBB,E1A2,E1G7,E2G7,N1,N1R,N1T8,N1T9,N1W,N1W1,N1W2,N1W7,N1W8,N1W9,N2,N3T8,N3T9,N3U,N3W8,N3W9,R1A,R3A,S1A,S1A1,S1E1,S1G4,S1M,S2E,S2E1,S2E2,S2E3,S2G7,S3A2,S3E9,S3G9,S3H,S4E4,S4E9,S4G4,S4G9	
	28462-ZOL-V20	ROPE, RECOIL STARTER (BLACK) (LONG TYPE)	-	1	-	-	-	-	-	-	-----	3396966	BHH,S3A,S3H2	
			-	1	1	-	-	-	-	-	-----	-----	BHH1	
			-	1	-	-	-	-	-	-	-----	3396967	BHH,S3A,S3H2	
			-	-	1	-	-	-	1	1	-----	-----	BHH,S3A,S3H2	
11	90201-ZM0-J20	NUT, FLANGE CAP, 6MM .....	3	-	-	3	-	-	-	-	-----	-----	A1P	
	90201-ZM0-000	NUT, FLANGE, 6MM .....	3	3	-	3	-	-	-	-	-----	-----	A1A,A1AE,A1AF,A1AS,A1AW,A1C,A1E,A1E7,A1E8,A1G7,A1G9,A1J,A1M,A1U,A1W2,A1W7,A2A,A2A9,A2C,A2E,A2E4,A2E7,A2E8,A2G4,A2G7,A2G9,A2R,A2U,A3A,A3E,A3E7,A3E9,A3G9,A3T9,A3W7,A3W8,A4E,A4G4,A4G7,A4G9,A7E1,BHH,BHH1,C1E,C1E1,C2E,C2E1,C3E,C3E1,C4E,C4E1,EHBB,E1A2,E1A4,E1G7,E2G7,E5A4,NBL1,N1,N1A,N1AF,N1C,N1D,N1E1,N1E2,N1E7,N1J1,N1L,N1R,N1T8,N1T9,N1U,N1W,N1W1,N1W2,N1W7,N1W8,N1W9,N2,N2D,N2E,N2E1,N2E2,N2E3,N2E7,N2E8,N2E9,N2U,N3T8,N3T9,N3U,N3V,N3W8,N3W9,N5A,N5AF,N5C,N5MF,N5R,N7A1,N7S1,RTL1,R1A,R3A,R3A1,STA1,STL1,S1A,S1A1,S1E1,S1G4,S1M,S2E,S2E1,S2E2,S2E3,S2G7,S3A,S3A2,S3E9,S3G9,S3H,S3H2,S4E4,S4E9,S4G4,S4G9	
	90303-MR1-000	.....	3	3	-	3	-	-	-	3	-----	-----	A2E4,A2E9	
13	28400-ZOL-802	STARTER ASSY., RECOIL .....	-	1	-	-	-	-	-	-	-----	-----	S1A1	
14	28400-ZOM-801	STARTER ASSY., RECOIL .....	-	1	1	1	-	-	-	-	-----	-----	A1G9,A2A9,A2G4,A2G9,A3E9,A3G9,A4G4,A4G9,C1E1,C2E1,C3E1,C4E1,S1E1,S1G4,S2E1,S2E2,S2E3,S3E9,S3G9,S4E4,S4E9,S4G4,S4G9	
	28400-ZOL-V72	STARTER ASSY., RECOIL (LONG ROPE)	-	1	-	-	-	-	-	-	-----	-----	NBL1,RTL1,R3A1,STA1,STL1	
15	66871-KY2-700	NUT, UPPER COWL .....	-	3	-	-	-	-	-	-	-----	-----	C1E1,C2E1,NBL1,RTL1,R3A1,STA1,STL1,S1A1	
	66871-611-000	NUT, CENTER PANEL .....	-	3	3	-	-	-	-	-	-----	-----	C3E1,C4E1	
			-	-	3	3	-	-	-	-	-----	-----	A1G9,A2A9,A2G4,A2G9,A3E9,A3G9,A4G4,A4G9,C1E1,C2E1,S1E1,S1G4,S2E1,S2E2,S2E3,S3E9,S3G9,S4E4,S4E9,S4G4,S4G9	
16	28461-ZOL-V71	KNOB, RECOIL STARTER .....	-	1	-	-	-	-	-	-	-----	-----	NBL1,RTL1,R3A1,STA1,STL1	
17	28400-ZL8-023ZA	STARTER ASSY., RECOIL *NH1*.....BLACK	-	-	-	-	-	1	1	-	-----	-----	A7H1,N1AF,N5AF,N5MF,N5R,N7A1,N7S1	
	28400-ZL8-023ZC	*R280*.....POWER RED	-	-	-	-	-	-	1	-	-----	-----	N5R	



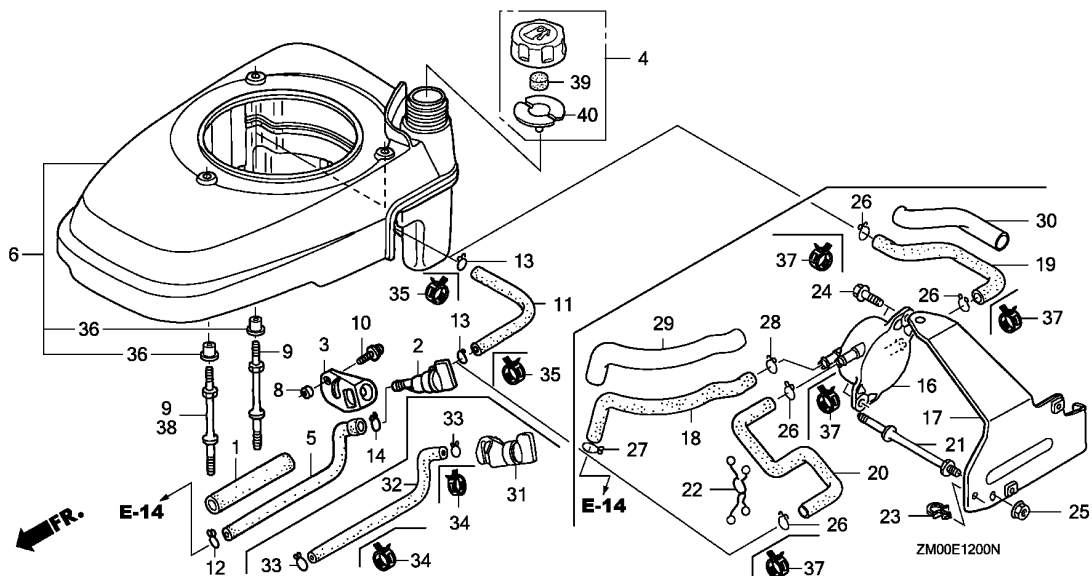


Ref. No.	L.O.N.	(Relative ref. Number) Description	F.R.T.
2		(31)	
3101A3		COCK, FUEL .....	0.1
3101J3		BRACKET, FUEL COCK .....	0.2
5		(32)	
3101V5		TUBE, FUEL (FUEL COCK-CARBURETOR) .....	0.2
6	1141G8	COVER, ENGINE COOLING FAN ....	0.2
11	3101F1	TUBE, FUEL TANK .....	0.1
16	3101H9	PUMP, FUEL .....	0.3
18	3101E5	TUBE, DIAPHRAGM .....	0.2
19	3101K5	TUBE, FUEL TANK(A) .....	0.2
20	3101V6	TUBE, FUEL (FUEL PUMP-FUEL COCK) .....	0.2

Ref. No.	Part No.	Description	Reqd. QTY								Serial No.	Parts catalogue code
			GCV 160	GCV 160 A	GCV 160 A0	GCV 160 E	GCV 160 LE	GCV 160 LA	GCV 160 LA0			
1	16854-ZH8-000	RUBBER, SUPPORTER (107MM) ...	1	1	1	1	-	-	-	-	-	
2	16950-ZG9-M02	COCK ASSY., FUEL .....	1	-	-	-	-	-	-	-	-	A1J, A1U, A2U, A4E, N2D, N2E2
	16950-ZG9-M03	.....	1	-	-	-	-	-	-	-	-	2439088
			-	1	-	-	-	-	-	-	-	2510374
			-	-	-	1	-	-	-	-	-	1197181
3	16956-ZM0-000	BRACKET, FUEL COCK .....	1	-	-	-	-	-	-	-	-	A1J, A1U, A2U, A4E, N2D, N2E2
			1	-	-	-	-	-	-	-	-	2439088
			-	1	-	-	-	-	-	-	-	2510374
			-	-	-	1	-	-	-	-	-	1197181
4	17620-ZL8-003	CAP ASSY., FUEL TANK .....	1	-	-	-	-	-	-	-	-	2226712
			-	1	-	-	-	-	-	-	-	A1A, A2A, A2R

Ref. No.	Part No.	Description	Reqd. QTY								Serial No.	Parts catalogue code	
			GCV 160	GCV 160 A	GCV 160	GCV 160 E	GCV 160 LE	GCV 160 LA	GCV 160	GCV 160 LAO			
(4)	17620-ZL8-013	CAP ASSY., FUEL TANK .....	1	1	-	-	-	-	-	-	-	A1AE,A1AF,A1AS,A1E7,A1E8,A1G7,A1M,A1W7,A2E7,A2E8,A2E9,A2G7,A3A,A7E1,BHH,BHH1,C1E,C1E1,C2E,C2E1,EHBB,E1A2,E1A4,E1G7,E2G7,E5A4,NBL1,N1A,N1AF,N1C,N1E7,N1J1,N1L,N1R,N1W7,N1W8,N1W9,N2E7,N2E8,N2E9,N3U,N5A,N5AF,N5C,N5MF,N5R,N7A1,N7S1,RTL1,R1A,R3A,R3A1,STA1,STL1,S1A,S1A1,S1M,S2G7,S3A,S3A2,S3H,S3H2	
			1	-	-	-	-	-	-	-	2226713	A1A,A1C,A1E,A1J,A1P,A1U,A1W2,A2A,A2C,A2E,A2E4,A2R,A2U,A3E,A4E,N1,N1D,N1E1,N1E2,N1U,N1W,N1W1,N1W2,N2,N2D,N2E,N2E1,N2E2,N2E3,N2U,N3V	
	17620-Z0M-000	.....	-	1	-	-	-	-	-	-	-	A1C,A1E,A2C,A3E,N1E1,N1U,N2U,N3V	
			-	-	1	1	-	-	-	-	-	A1AW,C3E,C3E1,C4E,C4E1	
5	17702-ZM0-000	TUBE, FUEL .....	1	-	-	-	-	-	-	-	-	A1J,A1U,A2U,A4E,N2D,N2E2	
			1	-	-	-	-	-	-	-	2439088	A1A,A1C,A1E,A1E7,A1E8,A1G7,A1P,A1W2,A1W7,A2A,A2C,A2E,A2E4,A2E7,A2E8,A2E9,A2G7,A2R,A3E,A7E1,N1,N1D,N1E1,N1E2,N1E7,N1R,N1U,N1W,N1W1,N1W2,N1W7,N1W8,N1W9,N2,N2E,N2E1,N2E3,N2E7,N2E8,N2E9,N2U,N3U,N3V,N7A1	
			-	1	-	-	-	-	-	-	2510374	A1A,A1AE,A1AF,A1AS,A1C,A1E7,A1E8,A1W7,A2A,A2C,A2E7,A2E8,A2E9,A2G7,A2R,A3A,A7E1,BHH,N1A,N1AF,N1C,N1E7,N1U,N1W7,N1W8,N1W9,N2E7,N2E8,N2E9,N2U,N3V,N5A,N5AF,N5C,N7A1,STA1,S1A,S1A1,S3A	
			-	-	-	1	-	-	-	-	1197181	A1E7,A1E8,A1G7,A1W7,A2E7,A2E8,A2E9,A2G7,A2G9,A7E1,N1E7,N1W7,N1W8,N1W9,N2E7,N2E8,N2E9,N7A1,S2E,S2E1	
6	19610-ZM0-J10ZA	COVER COMP., FAN											
		*R8*.....BRIGHT RED	1	-	-	-	-	-	-	-	1417474	A1P	
	19610-ZM0-J11ZA	*R8*.....BRIGHT RED	1	-	-	-	-	-	-	-	1417475	A1P	
	19610-ZM0-J11ZC	*R280*.....POWER RED	1	-	-	-	-	-	-	-	2428342	A1P	
	19610-ZM0-000ZA	*NH1*.....BLACK	1	-	-	-	-	-	-	-	1417474	A1A,A1C,A1E,A1J,A1U,A2A,A2C,A2E,A2U,A3E,A4E,N1,N1D,N1E1,N1E2,N1U,N1W,N2,N2D,N2E,N2E1,N2E2,N2E3,N2U	
	19610-ZM0-000ZB	*R8*.....BRIGHT RED	1	-	-	-	-	-	-	-	1417474	A1E,A2E,N1E2,N1U,N2E,N2E3,N2U,N3V	
	19610-ZM0-010ZA	*NH1*.....BLACK	1	1	-	-	-	-	-	-	-	A1G7,A2E4,A2R,N1A,N1C,N1J1,N5A,N5C	
			1	-	-	-	-	-	-	-	-	A1E7,A1E8,A2E7,A2E8,A2E9,A2G7,A7E1,N1E7,N1W7,N1W8,N1W9,N2E7,N2E8,N2E9,N3U,N3V,N7A1	
			1	-	-	-	-	-	-	-	1417475	A1A,A1C,A1E,A1J,A1U,A2A,A2C,A2E,A2U,A3E,A4E,N1,N1D,N1E1,N1E2,N1U,N1W,N2,N2D,N2E,N2E1,N2E2,N2E3,N2U	
			-	1	-	-	-	-	-	-	-	A1A,A1C,A2A,A2C	
			-	-	-	1	-	-	-	-	-	1215355	A1E7,A1E8,A1G7,A1W7,A2E7,A2E8,A2E9,A2G7,A2G9,A3E7,A7E1,N1E7,N1W7,N1W8,N1W9,N2E7,N2E8,N2E9,N7A1
	19610-ZM0-010ZB	*R8*.....BRIGHT RED	1	-	-	-	-	-	-	-	2424487	A1E7,A1E8,A2E4,A2E7,A2E8,A2E9,A2G7,N1R,N2E7,N2E9	
			1	-	-	-	-	-	-	-	1417475	A1E,A2E,N1E2,N1U,N2E,N2E3,N2U,N3V	
			-	-	-	1	-	-	-	-	-	A2G9	
	19610-ZM0-010ZC	*Y166R*.....WOLF YELLOW	1	1	-	-	-	-	-	-	-	A1W2,A1W7,N1W1,N1W2,N1W8,N1W9	
			-	-	-	1	-	-	-	-	-	1215355	A1W7,N1W7,N1W8,N1W9
	19610-ZM0-010ZD	*R280*.....POWER RED	1	-	-	-	-	-	-	-	-	N3U	
			1	-	-	-	-	-	-	-	2424488	A1E,A1E7,A1E8,A2E,A2E4,A2E7,A2E8,A2E9,A2G7,N1E2,N1R,N1U,N2E,N2E3,N2E7,N2E9,N2U,N3V	
			-	-	-	1	-	-	-	-	-	1215355	A1E7,A1E8,A2E7,A2E8,A2E9,A2G7,N1E7,N1W7,N2E7,N2E8,N2E9
	19610-Z0L-000ZA	*NH1*.....BLACK	-	1	-	-	-	-	-	-	-	A1AE,A1AF,A1AS,A1C,A1E,A1E8,A2C,A2E8,A2E9,A2G7,A3E,A7E1,NBL1,N1AF,N1C,N1E1,N1E7,N1W7,N2E7,N2E8,N2E9,N5AF,N5C,N5MF,N7A1,N7S1,S3A2,S3H	
			-	1	-	-	-	-	-	-	-	7081943	A1AW,A1E7,A1M,A2E7,BHH1,N1L,N1R,N1U,N2U,N3U,N3V,S2G7
	19610-Z0L-000ZC	*T89*.....CRAFTSMAN RED	-	1	-	-	-	-	-	-	-	A1AE,BHH	
	19610-Z0L-000ZE	*T90*.....EHP ORANGE	-	1	-	-	-	-	-	-	-	A3A	
	19610-Z0L-000ZF	*T93*.....HUSQVARNA GRAY	-	1	-	-	-	-	-	-	-	BHH	





Ref. No.	Part No.	Description	Reqd. QTY								Serial No.	Parts catalogue code	
			GCV 160	GCV 160 A	GCV 160 AO	GCV 160 E	GCV 160 LE	GCV 160 LA	GCV 160 LA0	GCV 160			
(6)	19610-ZOL-800ZA	COVER COMP., FAN	-	-	-	-	-	-	-	-	-	-	-
		*NH1*.....BLACK	-	1	-	-	-	-	-	-	-	-	STA1,STL1,S1A,S1A1,S3A
			-	1	-	-	-	-	-	-	-	7158461	S3H2
	19610-ZOL-800ZB	*R280*.....POWER RED	-	1	-	-	-	-	-	-	-	-	S3A
	19610-ZOL-800ZC	*T89*.....CRAFTSMAN RED	-	1	-	-	-	-	-	-	-	-	S3A
	19610-ZOL-800ZD	*T93*.....HUSQVARNA GRAY	-	1	-	-	-	-	-	-	-	-	S3A
	19610-ZOL-820ZA	*NH1*.....BLACK	-	1	-	-	-	-	-	-	-	-	EHHB,E1A2,E1A4,E1G7,E2G7,E5A4
			-	1	-	-	-	-	-	-	-	7158461	C1E,C1E1,C2E,C2E1,C3E,C3E1,C4E,C4E1
	19610-ZOL-820ZB	*R280*.....POWER RED	-	1	-	-	-	-	-	-	-	-	EHHB,E1A2,E1A4,E1G7,E2G7,E5A4
			-	1	-	-	-	-	-	-	-	7158461	C1E,C2E
	19610-ZOL-820ZC	*T89*.....CRAFTSMAN RED	-	1	-	-	-	-	-	-	-	-	E1G7,E2G7
			-	1	-	-	-	-	-	-	-	7158461	C1E,C2E
	19610-ZOL-820ZD	*T90*.....EHP ORANGE	-	1	-	-	-	-	-	-	-	-	E1G7,E2G7
			-	1	-	-	-	-	-	-	-	7158461	C1E,C2E
	19610-ZOL-820ZE	*Y166R*.....WOLF YELLOW	-	1	-	-	-	-	-	-	-	-	E1G7,E2G7
			-	1	-	-	-	-	-	-	-	7158461	C1E,C2E
	19610-ZOL-830ZA	*NH1*.....BLACK	-	1	-	-	-	-	-	-	-	-	RTL1,R1A,R3A,R3A1
	19610-ZOL-830ZB	*R280*.....POWER RED	-	1	-	-	-	-	-	-	-	-	R1A,R3A
	19610-ZOL-830ZC	*T89*.....CRAFTSMAN RED	-	1	-	-	-	-	-	-	-	-	R1A,R3A
	19610-ZOL-830ZD	*T90*.....EHP ORANGE	-	1	-	-	-	-	-	-	-	-	R1A,R3A
	19610-ZOL-830ZE	*Y166R*.....WOLF YELLOW	-	1	-	-	-	-	-	-	-	-	R1A,R3A
	19610-ZOM-J10ZC	*NH1*.....BLACK	-	-	-	1	-	-	-	-	-	-	A1P
	19610-ZOM-J10ZD	*R280 1*.....POWER RED	-	-	-	1	-	-	-	-	-	-	A1P
	19610-ZOL-000ZD	*R280*.....POWER RED	-	1	-	-	-	-	-	-	-	-	A1E,A1E8,A2E8,A2E9,A2G7,A3E,N1E1,N2E7,N2E9,N5R,S1M
			-	1	-	-	-	-	-	-	-	-	S3H
			-	1	-	-	-	-	-	-	-	-	7081943 A1E7,A2E7,BHH1,N1R,N3U,N3V

Ref. No.	Part No.	Description	Reqd. QTY								Serial No.	Parts catalogue code
			GCV 160	GCV 160 A	GCV 160 AO	GCV 160 E	GCV 160 LE	GCV 160 LA	GCV 160 LAO			
(6)	19610-Z0L-010ZA	COVER COMP., FAN *NH1*.....BLACK	-	1	-	-	-	-	-	-	7081944	----- A1AW,A1E7,A1M,A2E7,BHH1,N1L,N1R,N1U,N2U,N3U,N3V S2G7
	19610-Z0L-010ZD	*R280*.....POWER RED	-	1	-	-	-	-	-	-	7081944	----- A1AW,A1E7,A1M,A2E7,BHH1,N1L,N1R,N1U,N2U,N3U,S2G7 A1E7,A2E7,BHH1,N1R,N3U,N3V
	19610-Z0L-801ZA	*NH1*.....BLACK	-	1	-	-	-	-	-	-	7158462	----- A1E7,A2E7,BHH1,N1R,N3U,N3V S3H2
	19610-Z0L-821ZA	*NH1*.....BLACK	-	1	-	-	-	-	-	-	7158462	----- S3H2 C1E,C1E1,C2E,C2E1,C3E,C3E1,C4E,C4E1
	19610-Z0L-821ZB	*R280*.....POWER RED	-	1	-	-	-	-	-	-	7158462	----- C1E,C1E1,C2E,C2E1,C3E,C3E1,C4E,C4E1,E2G7
	19610-Z0L-821ZC	*T89*.....CRAFTSMAN RED	-	1	-	-	-	-	-	-	7158462	----- C1E,C2E
	19610-Z0L-821ZD	*T90*.....EHP ORANGE	-	1	-	-	-	-	-	-	7158462	----- C1E,C2E,E2G7
	19610-Z0L-821ZE	*Y166R*.....WOLF YELLOW	-	1	-	-	-	-	-	-	7158462	----- C1E,C2E
	19610-Z1L-000ZA	*NH1*.....BLACK	-	-	-	1	-	-	-	-		----- A1G9,A2A9,A2G4,A2R,A3E9,A3G9,A3T9,A3W8,A4G4,A4G7 A4G9,N1D,N1E1,N1E2,N1J1,N1R,N1T8,N1T9,N3T8,N3T9 N3W8,N3W9,S1G4,S2E2,S2E3,S3E9,S3G9,S4E4,S4E9,S4G4 S4G9
	19610-Z1L-000ZB	*R280*.....POWER RED	-	-	-	1	-	-	-	-	1215356	----- A1E7,A1E8,A1G7,A1W7,A2E7,A2E8,A2E9,A2G7,A2G9,A3E7 A7E1,N1E7,N1W7,N1W8,N1W9,N2E7,N2E8,N2E9,N7A1
	19610-Z1L-000ZC	*Y166R*.....WOLF YELLOW	-	-	-	1	-	-	-	-	1215356	----- A1G9,A2G4,A2R,A4G9,N1D,N1E1,N1E2,N1J1,N1R,S2E2 S2E3,S3E9,S3G9,S4E4,S4E9,S4G4,S4G9
	19610-Z1L-800ZA	*NH1*.....BLACK	-	-	-	1	-	-	-	-	1215356	----- A1E7,A1E8,A2E7,A2E8,A2E9,A2G7,N1E7,N1W7,N2E7,N2E8 N2E9
	19610-Z1L-800ZB	*R8*.....BRIGHT RED	-	-	-	1	-	-	-	-	1215356	----- A3W7,A3W8,N3W8,N3W9 A1W7,N1W7,N1W8,N1W9
8	33609-GK4-620	COLLAR, FR. WINKER	1	-	1	-	-	-	-	-		----- S1E1,S2E,S2E1 S2E,S2E1
	91501-Z0L-800	COLLAR, FUEL COCK	-	1	-	-	-	-	-	-		----- A1A,A1AS,A1C,A1E,A1E7,A1E8,A1W7,A2A,A2C,A2E7,A2E8 A2E9,A2G7,A2R,A3E,A7E1,BHH,BHH1,EHHB,E1G7,E2G7 NBL1,N1A,N1C,N1E1,N1E7,N1L,N1R,N1W7,N1W8,N1W9,N2E7 N2E8,N2E9,N5A,N5C,N7A1,N7S1,S2G7
	90043-ZL8-000	BOLT, STUD (H=42.5MM)	3	-	1	-	-	-	-	-		----- A1AW,A1M,N1U,N2U,N3U,N3V A1AE,A1AF,A3A,C1E,C1E1,C2E,C2E1,C3E,C3E1,C4E,C4E1 E1A2,E1A4,E5A4,N1AF,N5AF,N5MF,N5R,RTL1,R1A,R3A R3A1,STA1,STL1,S1A,S1A1,S1M,S3A,S3A2,S3H,S3H2
10	93891-05010-08	SCREW-WASHER, 5X10	1	1	1	1	-	-	-	-		----- A1AW,A1M,N1U,N2U,N3U,N3V
11	17701-Z0L-000	TUBE, FUEL TANK	-	1	-	-	-	-	-	-	2510374	----- C1E,C1E1,C2E,C2E1,C3E,C3E1,C4E,C4E1 BHH1,N1L A1A,A1AE,A1AF,A1AS,A1AW,A1C,A1E,A1E7,A1E8,A1M,A1W7 A2A,A2C,A2E7,A2E8,A2E9,A2G7,A2R,A3A,A3E,A7E1,BHH EHHB,E1A2,E1A4,E1G7,E2G7,E5A4,NBL1,N1A,N1AF,N1C N1E1,N1E7,N1R,N1U,N1W7,N1W8,N1W9,N2E7,N2E8,N2E9 N2U,N3U,N3V,N5A,N5AF,N5C,N5MF,N5R,N7A1,N7S1,RTL1 R1A,R3A,R3A1,STA1,STL1,S1A,S1A1,S1M,S2G7,S3A,S3A2 S3H,S3H2
			-	1	-	-	-	-	-	-		----- A1A,A1AE,A1AF,A1AS,A1C,A1E7,A1E8,A1W7,A2A,A2C,A2E7 A2E8,A2E9,A2G7,A2R,A3A,BHH,N1A,N1AF,N1C,N1E7,N1U N1W7,N1W8,N1W9,N2E7,N2E8,N2E9,N2U,N3U,N5A,N5AF,N5C STA1,S1A,S1A1,S3A

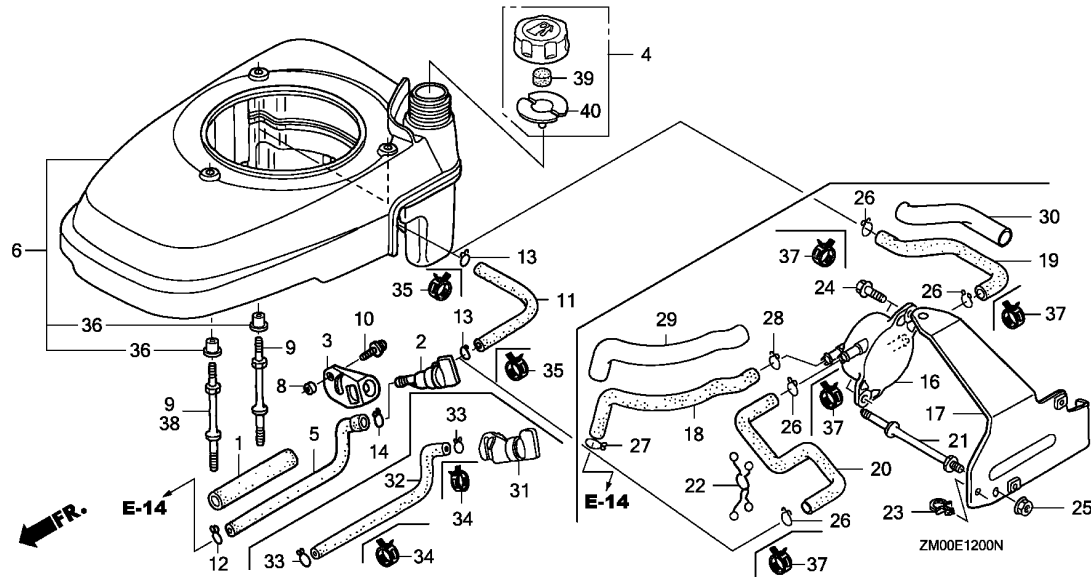




E-12

FAN COVER(1)

F 7

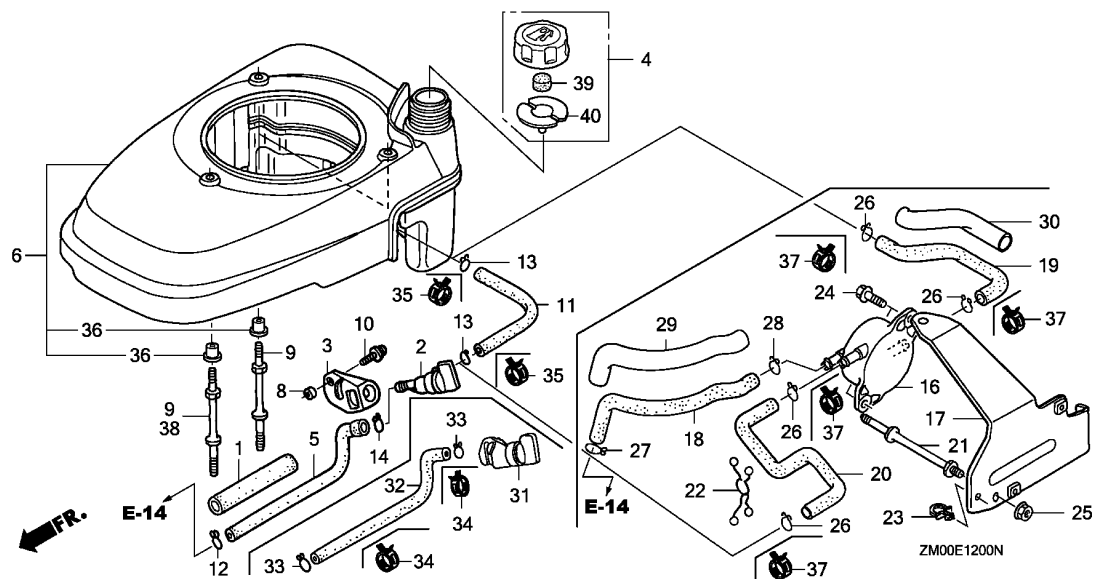


Ref. No.	Part No.	Description	Reqd. QTY								Serial No.	Parts catalogue code	
			GCV 160	GCV 160 A	GCV 160 AO	GCV 160 E	GCV 160 LE	GCV 160 LA	GCV 160 LA0				
11)	95001-55150-40	TUBE, FUEL, 5.3X150 (95001-55001-60M)	1	1	1	1	-	-	-	-	-		A1E,A1M,A3E,C1E,C1E1,C2E,C2E1,C3E,C3E1,C4E,C4E1 EHHB,E1A2,E1A4,E1G7,E2G7,E5A4,N1E1,N1L,N1R,N3U S2G7,S3H2
			1	-	1	1	-	-	-	-	-		A1A,A1C,A1E7,A1E8,A1G7,A1G9,A1J,A1P,A1U,A1W2,A1W7 A2A,A2A9,A2C,A2E,A2E4,A2E7,A2E8,A2E9,A2G4,A2G7 A2G9,A2U,A3E7,A3E9,A3G9,A3T9,A3W7,A3W8,A4E,A4G4 A4G7,A4G9,N1,N1D,N1E2,N1E7,N1J1,N1T8,N1T9,N1U,N1W N1W1,N1W2,N1W7,N1W8,N1W9,N2,N2D,N2E,N2E1,N2E2,N2E3 N2E7,N2E8,N2E9,N2U,N3T8,N3T9,N3V,N3W8,N3W9,S1E1 S1G4,S2E,S2E1,S2E2,S2E3,S3E9,S3G9,S4E4,S4E9,S4G4 S4G9
			1	-	-	-	-	-	-	-	-		A2R
			-	1	-	-	-	-	-	-	2510375		A1E7,A1E8,A1W7,A2E7,A2E8,A2E9,A2G7,N1E7,N1U,N1W7 N1W8,N1W9,N2E7,N2E8,N2E9,N2U,N3V
			-	1	-	-	-	-	-	-		3698326	NBL1
			-	1	-	-	-	-	-	-		4030139	RTL1,STL1
			-	1	-	-	-	-	-	-		4803407	S3A2,S3H
			-	1	-	-	-	-	-	-		8020871	R1A,R3A,R3A1
			-	1	-	-	-	-	-	-	2510375	3698326	A1A,A1AS,A1C,A2A,A2C,A2R,BHH,N1A,N1C,N5A,N5C
			-	1	-	-	-	-	-	-	2510375	4030139	STA1,S1A,S1A1,S3A
			-	1	-	-	-	-	-	-	2510375	4062255	A1AE,A1AF,A3A,N1AF,N5AF
			-	-	-	1	-	-	-	-	-	2075802	A2R

2

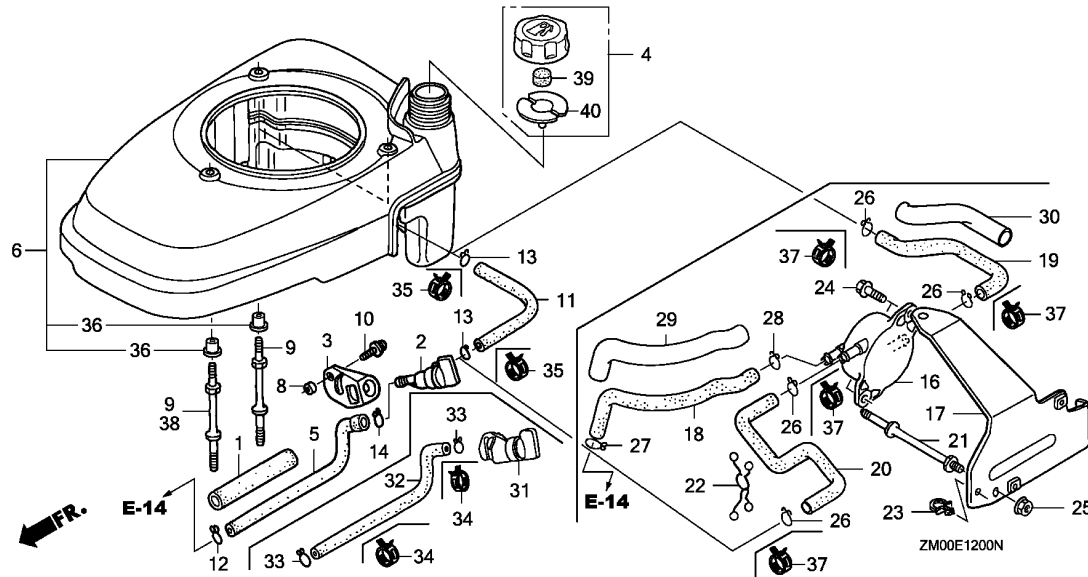
Ref. No.	Part No.	Description	Reqd. QTY								Serial No.	Parts catalogue code
			GCV 160	GCV 160 A	GCV 160 A0	GCV 160 E	GCV 160 LE	GCV 160 LA	GCV 160 LA0			
11)	91425-ZOL-801	TUBE, FUEL, 5.3X150(FKM) .....	-	1	-	-	-	-	-	-	-----	A1AW,BHH1,N5MF,N5R,S1M
			-	1	-	-	-	-	-	-	3698327	A1A,A1AS,A1C,A2A,A2C,A2R,BHH,NBL1,N1A,N1C,N5A,N5C
			-	1	-	-	-	-	-	-	4030140	RTL1,STA1,STL1,S1A,S1A1,S3A
			-	1	-	-	-	-	-	-	4062256	A1AE,A1AF,A3A,N1AF,N5AF
			-	1	-	-	-	-	-	-	4803408	S3A2,S3H
			-	1	-	-	-	-	-	-	8020872	R1A,R3A,R3A1
			-	-	-	1	-	-	-	-	2075803	A2R
	91425-ZOL-802	.....	-	1	-	-	-	-	-	-	-----	A1AW,BHH1
12	95002-02080	CLIP, TUBE (B8) .....	1	-	-	-	-	-	-	-	-----	A1J,A1U,A2U,A4E,N2D,N2E2
			1	-	-	-	-	-	-	-	2439088	A1A,A1C,A1E,A1E7,A1E8,A1G7,A1P,A1W2,A1W7,A2A,A2C
												A2E,A2E4,A2E7,A2E8,A2E9,A2G7,A2R,A3E,A7E1,N1,N1D
												N1E1,N1E2,N1E7,N1R,N1U,N1W,N1W1,N1W2,N1W7,N1W8
												N1W9,N2,N2E,N2E1,N2E3,N2E7,N2E8,N2E9,N2U,N3U,N3V
												N7A1
			-	1	-	-	-	-	-	-	2510374	A1A,A1AE,A1AF,A1AS,A1C,A1E7,A1E8,A1W7,A2A,A2C,A2E7
												A2E8,A2E9,A2G7,A2R,A3A,A7E1,BHH,N1A,N1AF,N1C,N1E7
												N1U,N1W7,N1W8,N1W9,N2E7,N2E8,N2E9,N2U,N3V,N5A,N5AF
												N5C,N7A1,STA1,S1A,S1A1,S3A
			-	-	-	1	-	-	-	-	1197181	A1E7,A1E8,A1G7,A1W7,A2E7,A2E8,A2E9,A2G7,A2G9,A7E1
												N1E7,N1W7,N1W8,N1W9,N2E7,N2E8,N2E9,N7A1,S2E,S2E1
												A1E,A1E7,A1E8,A1M,A1P,A1W7,A2E7,A2E8,A2E9,A2G7,A3E
												C1E,C1E1,C2E,C2E1,C3E,C3E1,C4E,C4E1,EHHB,E1A2,E1A4
												E1G7,E2G7,E5A4,N1D,N1E1,N1E2,N1E7,N1J1,N1L,N1R,N1U
												N1W7,N1W8,N1W9,N2E7,N2E8,N2E9,N2U,N3U,N3V,S2G7
												S3H2
			2	-	-	2	-	-	-	-	-----	A1A,A1C,A1G7,A1G9,A1J,A1U,A1W2,A2A,A2A9,A2C,A2E
												A2E4,A2G4,A2G9,A2U,A3E7,A3E9,A3G9,A3T9,A3W7,A3W8
												A4E,A4G4,A4G7,A4G9,N1,N1T8,N1T9,N1W,N1W1,N1W2,N2
												N2D,N2E,N2E1,N2E2,N2E3,N3T8,N3T9,N3W8,N3W9,S1E1
												S1G4,S2E,S2E1,S2E2,S2E3,S3E9,S3G9,S4E4,S4E9,S4G4
												S4G9
			2	-	-	-	-	-	-	-	-----	A2R
			-	2	-	-	-	-	-	-	3698326	A1A,A1AS,A1C,A2A,A2C,A2R,BHH,NBL1,N1A,N1C,N5A,N5C
			-	2	-	-	-	-	-	-	4030139	RTL1,STA1,STL1,S1A,S1A1,S3A
			-	2	-	-	-	-	-	-	4062255	A1AE,A1AF,A3A,N1AF,N5AF
			-	2	-	-	-	-	-	-	4803407	S3A2,S3H
			-	2	-	-	-	-	-	-	8020871	R1A,R3A,R3A1
			-	-	-	2	-	-	-	-	2075802	A2R
14	95002-50000	CLIP, TUBE (C9) .....	1	-	-	-	-	-	-	-	-----	A1J,A1U,A2U,A4E,N2D,N2E2
			1	-	-	-	-	-	-	-	2439088	A1A,A1C,A1E,A1E7,A1E8,A1G7,A1P,A1W2,A1W7,A2A,A2C
												A2E,A2E4,A2E7,A2E8,A2E9,A2G7,A2R,A3E,A7E1,N1,N1D
												N1E1,N1E2,N1E7,N1R,N1U,N1W,N1W1,N1W2,N1W7,N1W8
												N1W9,N2,N2E,N2E1,N2E3,N2E7,N2E8,N2E9,N2U,N3U,N3V
												N7A1
			-	1	-	-	-	-	-	-	2510374	A1A,A1AE,A1AF,A1AS,A1C,A1E7,A1E8,A1W7,A2A,A2C,A2E7
												A2E8,A2E9,A2G7,A2R,A3A,A7E1,BHH,N1A,N1AF,N1C,N1E7
												N1U,N1W7,N1W8,N1W9,N2E7,N2E8,N2E9,N2U,N3V,N5A,N5AF
												N5C,N7A1,STA1,S1A,S1A1,S3A
			-	-	-	1	-	-	-	-	1197181	A1E7,A1E8,A1G7,A1W7,A2E7,A2E8,A2E9,A2G7,A2G9,A7E1
												N1E7,N1W7,N1W8,N1W9,N2E7,N2E8,N2E9,N7A1,S2E,S2E1
16	16700-ZOM-782	PUMP ASSY., FUEL .....	1	1	-	1	-	-	-	-	-----	A7E1,N7A1,N7S1
17	16711-ZOL-780	STAY, FUEL PUMP .....	1	1	-	-	-	-	-	-	-----	A7E1,N7A1,N7S1
	16711-ZOL-781	.....	-	-	-	1	-	-	-	-	2062254	A7E1,N7A1
18	16882-ZOL-780	TUBE, DIAPHRAGM .....	1	1	-	1	-	-	-	-	-----	A7E1,N7A1,N7S1





Ref. No.	Part No.	Description	Reqd. QTY							Serial No.	Parts catalogue code
			GCV 160	GCV 160 A	GCV 160 AO	GCV 160 E	GCV 160 LE	GCV 160 LA	GCV 160 LA0		
19	17701-Z0M-780	TUBE, FUEL TANK .....	1	1	-	1	-	-	-	-	----- A7E1,N7S1 ----- N7A1 ----- 4029852 N7A1 ----- 2075802 N7A1
	17701-Z0L-771	TUBE, FUEL TANK (FKM) .....	-	1	-	-	-	-	-	4029853 2075803	----- N7A1 ----- N7A1
20	17703-Z0L-780	TUBE B, FUEL .....	1	-	-	1	-	-	-	-	----- N7A1 ----- A7E1 ----- 2642930 A7E1,N7A1 ----- 2075802 A7E1
	17703-Z0L-790	.....	-	1	-	-	-	-	-	-	----- N7S1 ----- 2642931 A7E1 ----- 2642931 4029852 N7A1
	17703-Z0L-771	TUBE B, FUEL (FKM) .....	-	1	-	-	-	-	-	4029853 2075803	----- N7A1 ----- N7A1
21	90041-Z0M-780	BOLT, STUD .....	1	1	-	1	-	-	-	-	----- A7E1,N7A1,N7S1
22	90601-Z0M-003	CLIP, PURSE LOCK .....	1	1	-	1	-	-	-	-	----- A7E1,N7A1,N7S1
23	90659-680-013	CLIP, WIRE HARNESS .....	1	1	-	1	-	-	-	-	----- A7E1,N7A1,N7S1
24	93894-05014-00	SCREW-WASHER, 5X14 .....	2	2	-	2	-	-	-	-	----- A7E1,N7A1,N7S1
25	94050-06000	NUT, FLANGE, 6MM .....	1	1	-	1	-	-	-	-	----- A7E1,N7A1,N7S1
26	95002-02100	CLIP, TUBE (B10) .....	4	4	-	4	-	-	-	-	----- A7E1,N7S1 ----- N7A1 ----- 4029852 N7A1 ----- 2075802 N7A1
27	95002-45000	CLIP, TUBE (C8) .....	1	1	-	1	-	-	-	-	----- A7E1,N7A1,N7S1
28	95002-50000	CLIP, TUBE (C9) .....	1	1	-	1	-	-	-	-	----- A7E1,N7A1,N7S1

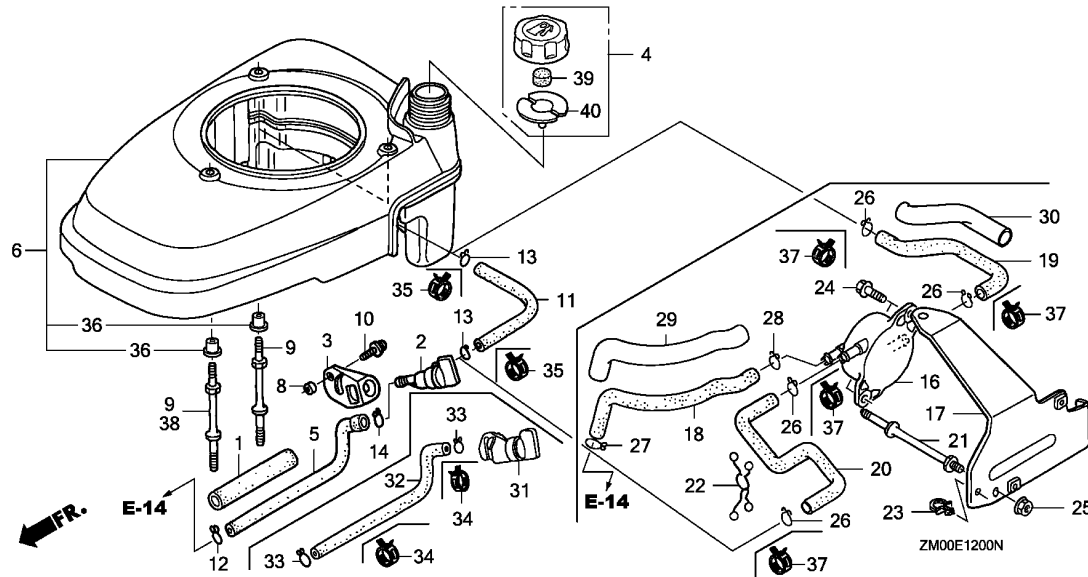
Ref. No.	Part No.	Description	Reqd. QTY								Serial No.	Parts catalogue code
			GCV 160	GCV 160 A	GCV 160 AO	GCV 160 E	GCV 160 LE	GCV 160 LA	GCV 160 LAO			
29	95003-25021-20	TUBE, VINYL, 9X11X210 (95003-25001-10M)	1	1	-	1	-	-	-	-----	-----	A7E1,N7A1,N7S1
30	95003-36010-20	TUBE, VINYL, 11X13X100 (95003-36001-10M)	1	1	-	1	-	-	-	-----	-----	A7E1,N7A1,N7S1
31	16950-ZM0-003	COCK ASSY., FUEL .....	1	1	-	1	-	-	-	-----	-----	A1M,N1J1
			1	-	-	-	-	-	-	2439089	-----	A1A,A1C,A1E,A1E7,A1E8,A1G7,A1P,A1W2,A1W7,A2A,A2C A2E,A2E4,A2E7,A2E8,A2E9,A2G7,A2R,A3E,A7E1,N1,N1D N1E1,N1E2,N1E7,N1R,N1U,N1W,N1W1,N1W2,N1W7,N1W8 N1W9,N2,N2E,N2E1,N2E3,N2E7,N2E8,N2E9,N2U,N3U,N3V N7A1
			-	1	-	1	-	-	-	-----	-----	A1AW,A1E,A1G9,A1P,A2A9,A2G4,A3E,A3E7,A3E9,A3G9 A3T9,A3W7,A3W8,A4G4,A4G7,A4G9,BHH1,C1E,C1E1,C2E C2E1,C3E,C3E1,C4E,C4E1,EHHB,E1A2,E1A4,E1G7,E2G7 E5A4,NBL1,N1D,N1E1,N1E2,N1L,N1R,N1T8,N1T9,N3T8 N3T9,N3U,N3W8,N3W9,N5MF,N5R,N7S1,RTL1,R1A,R3A,R3A1 STL1,S1E1,S1G4,S1M,S2E2,S2E3,S2G7,S3A2,S3E9,S3G9 S3H,S3H2,S4E4,S4E9,S4G4,S4G9
			-	1	-	-	-	-	-	2510375	-----	A1A,A1AE,A1AF,A1AS,A1C,A1E7,A1E8,A1W7,A2A,A2C,A2E7 A2E8,A2E9,A2G7,A2R,A3A,A7E1,BHH,N1A,N1AF,N1C,N1E7 N1U,N1W7,N1W8,N1W9,N2E7,N2E8,N2E9,N2U,N3V,N5A,N5AF N5C,N7A1,STA1,S1A,S1A1,S3A
			-	-	1	-	-	-	-	-----	-----	A2R
			-	-	-	1	-	-	-	1197182	-----	A1E7,A1E8,A1G7,A1W7,A2E7,A2E8,A2E9,A2G7,A2G9,A7E1 N1E7,N1W7,N1W8,N1W9,N2E7,N2E8,N2E9,N7A1,S2E,S2E1 N1J1
32	17702-ZM0-800	TUBE, FUEL .....	1	-	-	1	-	-	-	-----	-----	A1A,A1C,A1E,A1E7,A1E8,A1G7,A1P,A1W2,A1W7,A2A,A2C A2E,A2E4,A2E7,A2E8,A2E9,A2G7,A2R,A3E,A7E1,N1,N1D N1E1,N1E2,N1E7,N1R,N1U,N1W,N1W1,N1W2,N1W7,N1W8 N1W9,N2,N2E,N2E1,N2E3,N2E7,N2E8,N2E9,N2U,N3U,N3V N7A1
			1	-	-	-	-	-	-	2439089	-----	A1E,A1G9,A1M,A1P,A2G4,A3E,A3E7,A3E9,A3G9,A3T9,A3W7 A3W8,A4G4,A4G7,A4G9,C1E,C1E1,C2E,C2E1,C3E,C3E1,C4E C4E1,EHHB,E1A2,E1A4,E1G7,E2G7,E5A4,N1D,N1E1,N1E2 N1L,N1R,N1T8,N1T9,N3T8,N3T9,N3U,N3W8,N3W9,N7S1 S1E1,S1G4,S2E2,S2E3,S2G7,S3E9,S3G9,S3H2,S4E4,S4E9 S4G4,S4G9
			-	1	1	1	-	-	-	-----	-----	A1E7,A1E8,A1W7,A2E7,A2E8,A2E9,A2G7,A7E1,N1E7,N1U N1W7,N1W8,N1W9,N2E7,N2E8,N2E9,N2U,N3V
			-	1	-	-	-	-	-	-----	-----	3698326 NBL1
			-	1	-	-	-	-	-	-----	-----	4030139 RTL1,STL1
			-	1	-	-	-	-	-	-----	-----	4803407 S3A2,S3H
			-	1	-	-	-	-	-	-----	-----	8020871 R1A,R3A,R3A1
			-	1	-	-	-	-	-	2510375	-----	3698326 A1A,A1AS,A1C,A2A,A2C,A2R,BHH,N1A,N1C,N5A,N5C
			-	1	-	-	-	-	-	2510375	-----	4029852 N7A1
			-	1	-	-	-	-	-	2510375	-----	4030139 STA1,S1A,S1A1,S3A
			-	1	-	-	-	-	-	2510375	-----	4062255 A1AE,A1AF,A3A,N1AF,N5AF
			-	-	1	-	-	-	-	-----	-----	A1E7,A2E7,N1U,N2U,N3V
			-	-	-	1	-	-	-	1197182	-----	A1E7,A1E8,A1G7,A1W7,A2E7,A2E8,A2E9,A2G7,A2G9,A7E1 N1E7,N1W7,N1W8,N1W9,N2E7,N2E8,N2E9,S2E,S2E1
			-	-	-	1	-	-	-	-----	-----	1762462 A2A9,A2R
			-	-	-	1	-	-	-	1197182	-----	1762462 N7A1



Ref. No.	Part No.	Description	Reqd. QTY							Serial No.	Parts catalogue code		
			GCV 160	GCV 160 A	GCV 160 A0	GCV 160 E	GCV 160 LE	GCV 160 LA	GCV 160 LA0				
32)	17702-Z0L-801	TUBE, FUEL (FKM) .....	-	1	-	-	-	-	-	-	-----	A1AW,BHH1,N5MF,N5R,S1M	
			-	1	-	-	-	-	-	-	3698327	-----	A1A,A1AS,A1C,A2A,A2C,A2R,BHH,NBL1,N1A,N1C,N5A,N5C
			-	1	-	-	-	-	-	-	4029853	-----	N7A1
			-	1	-	-	-	-	-	-	4030140	-----	RTL1,STA1,STL1,S1A,S1A1,S3A
			-	1	-	-	-	-	-	-	4062256	-----	A1AE,A1AF,A3A,N1AF,N5AF
			-	1	-	-	-	-	-	-	4803408	-----	S3A2,S3H
			-	1	-	-	-	-	-	-	8020872	-----	R1A,R3A,R3A1
			-	-	-	1	-	-	-	-	1762463	-----	A2A9,A2R,N7A1
	17702-Z0L-802	.....	-	-	1	-	-	-	-	-	-----	A1AW,BHH1	

Ref. No.	Part No.	Description	Reqd. QTY						Serial No.	Parts catalogue code			
			GCV 160	GCV 160 A	GCV 160 AO	GCV 160 E	GCV 160 LE	GCV 160 LA			GCV 160 LAO		
33	95002-02080	CLIP, TUBE (B8) .....	2	-	-	2	-	-	-	-----	N1J1		
			2	-	-	-	-	-	-	2439089	-----	A1A,A1C,A1E,A1E7,A1E8,A1G7,A1P,A1W2,A1W7,A2A,A2C,A2E,A2E4,A2E7,A2E8,A2E9,A2G7,A2R,A3E,A7E1,N1,N1D,N1E1,N1E2,N1E7,N1R,N1U,N1W,N1W1,N1W2,N1W7,N1W8,N1W9,N2,N2E,N2E1,N2E3,N2E7,N2E8,N2E9,N2U,N3U,N3V,N7A1	
			-	2	2	2	-	-	-	-----	-----	A1E,A1G9,A1M,A1P,A2G4,A3E,A3E7,A3E9,A3G9,A3T9,A3W7,A3W8,A4G4,A4G7,A4G9,C1E,C1E1,C2E,C2E1,C3E,C3E1,C4E,C4E1,EHBB,E1A2,E1A4,E1G7,E2G7,E5A4,N1D,N1E1,N1E2,N1L,N1R,N1T8,N1T9,N3T8,N3T9,N3U,N3W8,N3W9,N7S1,S1E1,S1G4,S2E2,S2E3,S2G7,S3E9,S3G9,S3H2,S4E4,S4E9,S4G4,S4G9	
			-	2	-	-	-	-	-	2510375	-----	A1E7,A1E8,A1W7,A2E7,A2E8,A2E9,A2G7,A7E1,N1E7,N1U,N1W7,N1W8,N1W9,N2E7,N2E8,N2E9,N2U,N3V	
			-	2	-	-	-	-	-	-----	3698326	NBL1	
			-	2	-	-	-	-	-	-----	4030139	RTL1,STL1	
			-	2	-	-	-	-	-	-----	4803407	S3A2,S3H	
			-	2	-	-	-	-	-	-----	8020871	R1A,R3A,R3A1	
			-	2	-	-	-	-	-	2510375	-----	3698326	A1A,A1AS,A1C,A2A,A2C,A2R,BHH,N1A,N1C,N5A,N5C
			-	2	-	-	-	-	-	2510375	-----	4029852	N7A1
			-	2	-	-	-	-	-	2510375	-----	4030139	STA1,S1A,S1A1,S3A
			-	2	-	-	-	-	-	2510375	-----	4062255	A1AE,A1AF,A3A,N1AF,N5AF
			-	-	2	-	-	-	-	-----	-----	A1E7,A2E7,N1U,N2U,N3V	
			-	-	-	2	-	-	-	1197182	-----	A1E7,A1E8,A1G7,A1W7,A2E7,A2E8,A2E9,A2G7,A2G9,A7E1,N1E7,N1W7,N1W8,N1W9,N2E7,N2E8,N2E9,S2E,S2E1	
			34	95002-40800-08	CLAMP, TUBE (D8) .....	-	-	-	2	-	-	-----	1762462
-	-	-				2	-	-	-	1197182	-----	1762462	N7A1
-	2	2				-	-	-	-	-----	-----	A1AW,BHH1,N5MF,N5R,S1M	
-	2	-				-	-	-	-	3698327	-----	A1A,A1AS,A1C,A2A,A2C,A2R,BHH,NBL1,N1A,N1C,N5A,N5C	
-	2	-				-	-	-	-	4029853	-----	N7A1	
-	2	-				-	-	-	-	4030140	-----	RTL1,STA1,STL1,S1A,S1A1,S3A	
-	2	-				-	-	-	-	4062256	-----	A1AE,A1AF,A3A,N1AF,N5AF	
-	2	-				-	-	-	-	4803408	-----	S3A2,S3H	
-	2	-				-	-	-	-	8020872	-----	R1A,R3A,R3A1	
-	-	-				2	-	-	-	1762463	-----	A2A9,A2R,N7A1	
35	95002-41000-08	CLAMP, TUBE (D10) .....	-	2	2	-	-	-	-----	-----	A1AW,BHH1,N5MF,N5R,S1M		
			-	2	-	-	-	-	-	3698327	-----	A1A,A1AS,A1C,A2A,A2C,A2R,BHH,NBL1,N1A,N1C,N5A,N5C	
			-	2	-	-	-	-	-	4030140	-----	RTL1,STA1,STL1,S1A,S1A1,S3A	
			-	2	-	-	-	-	-	4062256	-----	A1AE,A1AF,A3A,N1AF,N5AF	
			-	2	-	-	-	-	-	4803408	-----	S3A2,S3H	
			-	2	-	-	-	-	-	8020872	-----	R1A,R3A,R3A1	
			-	-	-	2	-	-	-	2075803	-----	A2R	
36	19619-ZL8-300	COLLAR, FAN COVER .....	3	3	3	3	-	-	-	-			
37	95002-41000-08	CLAMP, TUBE (D10) .....	-	4	-	-	-	-	4029853	-----	N7A1		
-	-	-	-	-	4	-	-	-	2075803	-----	N7A1		
38	90043-Z0L-820	BOLT, STUD (H=37.5MM) .....	-	1	1	-	-	-	-----	-----	C1E,C1E1,C2E,C2E1,C3E,C3E1,C4E,C4E1		
-	90043-Z0J-900	BOLT, STUD (H=39.5MM) .....	-	-	1	-	-	-	-----	-----	BHH1,N1L		
39	17622-ZL8-003	SPONGE, FUEL CAP BREATHER ...	1	-	-	-	-	-	-----	-----	A1A,A1AE,A1AF,A1AS,A1C,A1E,A1E7,A1E8,A1M,A1W7,A2A,A2C,A2E7,A2E8,A2E9,A2G7,A2R,A3A,A3E,A7E1,BHH,BHH1,C1E,C1E1,C2E,C2E1,EHBB,E1A2,E1A4,E1G7,E2G7,E5A4,NBL1,N1A,N1AF,N1C,N1E1,N1E7,N1L,N1R,N1U,N1W7,N1W8,N1W9,N2E7,N2E8,N2E9,N2U,N3U,N3V,N5A,N5AF,N5C,N5MF,N5R,N7A1,N7S1,RTL1,R1A,R3A,R3A1,STA1,STL1,S1A,S1A1,S1M,S2G7,S3A,S3A2,S3H,S3H2		
-	17622-888-010	.....	-	1	-	-	-	-	-----	-----	A1AW,C3E,C3E1,C4E,C4E1		
-	-	-	-	-	1	1	-	-	-----	-----			



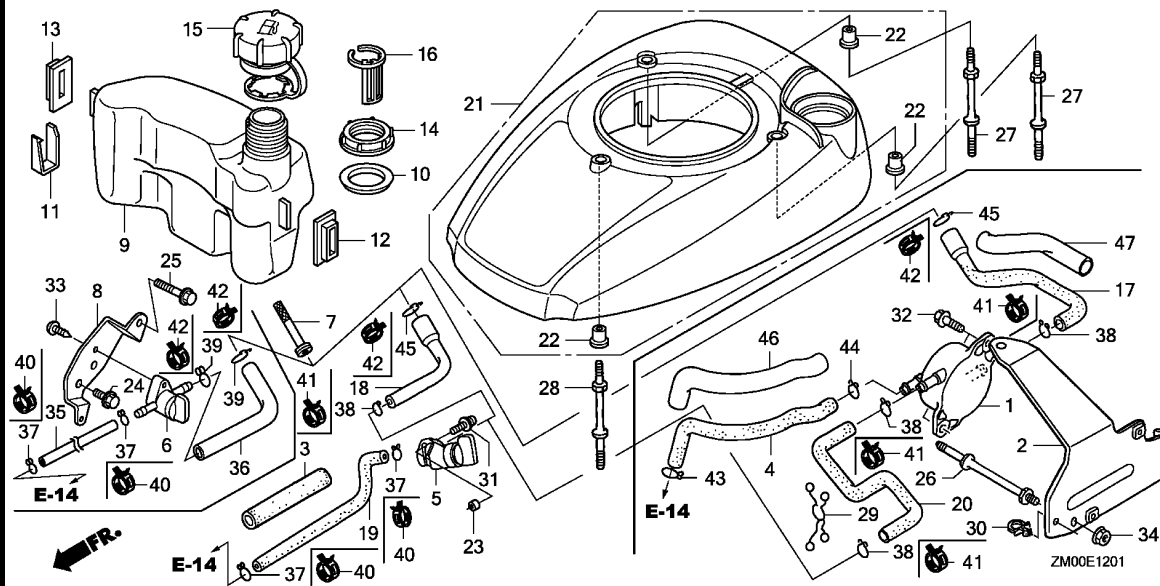


Ref. No.	Part No.	Description	Reqd. QTY								Serial No.	Parts catalogue code
			GCV 160	GCV 160 A	GCV 160 A0	GCV 160 E	GCV 160 LE	GCV 160 LA	GCV 160 LA0			
40	17624-ZL8-003	PACKING, FUEL CAP .....	1	-	-	-	-	-	-	-	-----	A1A,A1AE,A1AF,A1AS,A1C,A1E,A1E7,A1E8,A1M,A1W7,A2A,A2C,A2E7,A2E8,A2E9,A2G7,A2R,A3A,A3E,A7E1,BHH,BHH1,C1E,C1E1,C2E,C2E1,EHHB,E1A2,E1A4,E1G7,E2G7,E5A4,NBL1,N1A,N1AF,N1C,N1E1,N1E7,N1L,N1R,N1U,N1W7,N1W8,N1W9,N2E7,N2E8,N2E9,N2U,N3U,N3V,N5A,N5AF,N5C,N5MF,N5R,N7A1,N7S1,RTL1,R1A,R3A,R3A1,STA1,STL1,S1A,S1A1,S1M,S2G7,S3A,S3A2,S3H,S3H2
	17624-ZE7-000	.....	-	1	-	-	-	-	-	-	-----	A1AW,C3E,C3E1,C4E,C4E1

# E-12-1

# FAN COVER(2)

F14



Ref. No.	L.O.N.	(Relative ref. Number) Description	F.R.T.
1	3101H9	PUMP, FUEL	0.2
4	3101E5	TUBE, DIAPHRAGM	0.2
5	3101A3	COCK, FUEL	0.1
7	3101H8	STRAINER, FUEL	0.2
9	3101H7	TANK, FUEL	0.2
18		(17)	
	3101F1	TUBE, FUEL TANK	0.2
19	3101V5	TUBE, FUEL (FUEL COCK-CARBURETOR)	0.2
20	3101V6	TUBE, FUEL (FUEL PUMP-FUEL COCK)	0.2
21	1141G8	COVER, ENGINE COOLING FAN	0.2

Ref. No.	Part No.	Description	Reqd. QTY								Serial No.	Parts catalogue code
			GCV 160	GCV 160 A	GCV 160 AO	GCV 160 E	GCV 160 LE	GCV 160 LA	GCV 160 LA0			
1	16700-ZOM-782	PUMP ASSY., FUEL	-	-	-	-	1	1	1	-----	A7H1,N7A1,N7S1	
2	16711-ZOL-781	STAY, FUEL PUMP	-	-	-	-	1	1	1	-----	A7H1,N7A1,N7S1	
3	16854-ZH8-000	RUBBER, SUPPORTER (107MM)	-	-	-	-	1	-	-	-----	A1A,A1AF,A2R,BHH,E1A2,N1A,N1AF,N5AF,N5MF,N5R,N7A1,N7S1	
			-	-	-	-	-	1	-	-----	R3A	
4	16882-ZOL-780	TUBE, DIAPHRAGM	-	-	-	-	1	1	1	-----	6901760 S1A,S1M,S3A,S3H	
5	16950-ZMO-003	COCK ASSY., FUEL	-	-	-	-	1	-	-	-----	A7H1,N7A1,N7S1	
			-	-	-	-	-	1	1	-----	A1A,A1AF,A2R,BHH,E1A2,N1A,N1AF,N5AF,N5MF,N5R,N7A1,N7S1	
			-	-	-	-	-	1	-	-----	R3A	
			-	-	-	-	-	1	-	-----	6901760 S1A,S1M,S3A,S3H	
6	16950-ZOY-003	COCK ASSY., FUEL	-	-	-	-	-	1	-	6901761	S1A,S1M,S3A,S3H	
			-	-	-	-	-	-	1	-----	R3A,S1A,S1M,S3A,S3H	
7	16952-ZA8-800	STRAINER, FUEL	-	-	-	-	1	1	1	-----	S1A,S1M,S3A,S3H	
8	16961-ZOL-900	STAY, FUEL COCK	-	-	-	-	-	1	-	6901761	S1A,S1M,S3A,S3H	
9	17511-ZOL-000	TANK, FUEL	-	-	-	-	-	-	1	-----	R3A,S1A,S1M,S3A,S3H	
	17511-ZOL-010		-	-	-	-	1	1	-	-----	6183839 A1A,A1AF,A2R,BHH,N1A,N1AF,N5AF,N5MF,N5R,N7A1,N7S1	
			-	-	-	-	1	-	-	-----	S1A,S1M,S3A,S3H	
			-	-	-	-	-	1	-	-----	A2A9,A4A9,E1A2,R3A	
			-	-	-	-	-	1	-	-----	N7A1	
			-	-	-	-	-	1	-	6183840	A1A,A1AF,A2R,BHH,N1A,N1AF,N5AF,N5MF,N5R,N7A1,N7S1	
			-	-	-	-	-	-	1	-----	S1A,S1M,S3A,S3H	
	17511-ZOL-020		-	-	-	-	-	1	-	-----	A7H1	
	17511-ZOL-030		-	-	-	-	-	-	1	-----		
10	17514-ZOL-000	SEAL, FUEL FILLER NECK	-	-	-	-	1	1	1	-----		

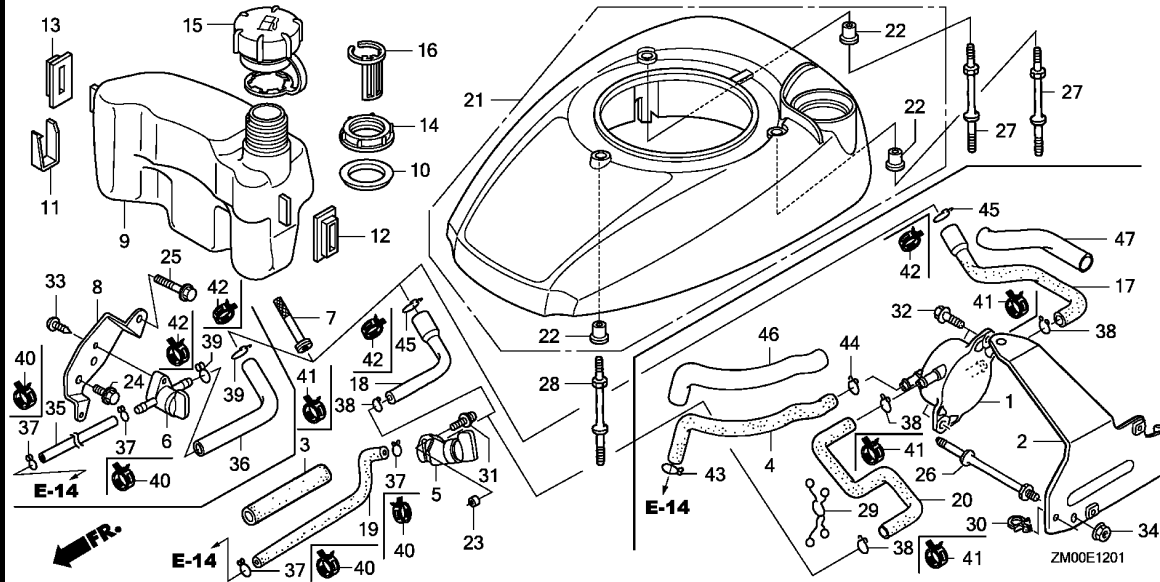




E-12-1

FAN COVER(2)

F15



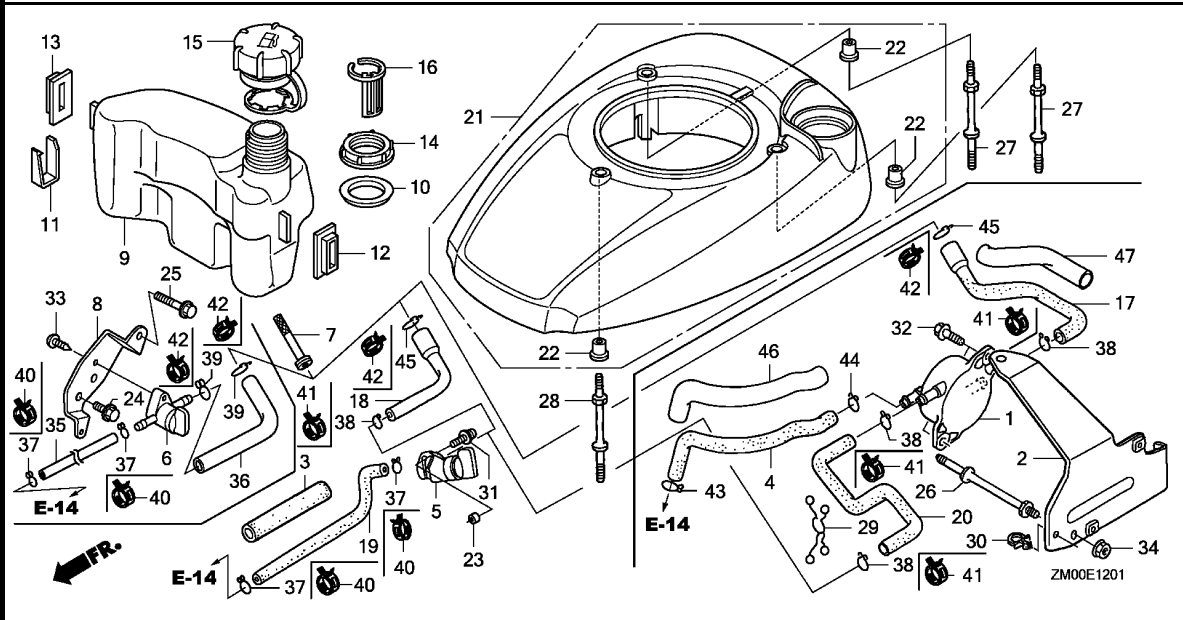
Ref. No.	Part No.	Description	Reqd. QTY								Serial No.	Parts catalogue code
			GCV 160	GCV 160 A	GCV 160 AO	GCV 160 E	GCV 160 LE	GCV 160 LA	GCV 160 LA0			
11	17516-ZOL-000	CLIP, TANK MOUNTING .....	-	-	-	-	1	1	1			
12	17532-ZOL-000	RUBBER A, TANK MOUNTING .....	-	-	-	-	1	1	1			
13	17533-ZOL-000	RUBBER B, TANK MOUNTING .....	-	-	-	-	1	1	1			
14	17534-ZOL-000	NUT, TANK MOUNTING .....	-	-	-	-	1	1	1			
15	17620-ZOJ-800	CAP ASSY., FUEL TANK .....	-	-	-	-	1	1	1			
16	17636-ZOL-000	GAUGE, FUEL LEVEL .....	-	-	-	-	1	1	-			
	17636-ZOL-010	.....	-	-	-	-	-	-	1			
17	17701-ZOL-780	TUBE, FUEL TANK .....	-	-	-	-	1	1	-	-----	A7H1,N7A1,N7S1	
	17701-Z8B-801	TUBE, FUEL TANK (FKM) .....	-	-	-	-	-	-	1	-----	N7A1,N7S1	
18	17701-ZOL-810	TUBE, FUEL TANK .....	-	-	-	-	1	1	-	-----	A1A,A1AF,A2A9,A2R,A4A9,BHH,E1A2,N1A,N1AF,N5AF,N5MF,N5R,R3A	
	17701-Z8B-811	TUBE, FUEL TANK (FKM) .....	-	-	-	-	-	-	1	-----	6901760 S1A,S1M,S3A,S3H	
19	17702-ZM0-800	TUBE, FUEL .....	-	-	-	-	1	-	-	-----	A1A,A1AF,A2R,BHH,E1A2,N1A,N1AF,N5AF,N5MF,N5R	
			-	-	-	-	-	-	1	-----	A1A,A1AF,A2R,BHH,E1A2,N1A,N1AF,N5AF,N5MF,N5R,N7A1,N7S1,R3A	
	17702-Z8B-801	TUBE, FUEL (FKM) .....	-	-	-	-	-	-	1	-----	6901760 S1A,S1M,S3A,S3H	
			-	-	-	-	-	-	1	-----	A1A,A1AF,A2R,BHH,E1A2,N1A,N1AF,N5AF,N5MF,N5R,N7A1,N7S1	
20	17703-ZOL-790	TUBE B, FUEL .....	-	-	-	-	1	1	-	-----	A7H1,N7A1,N7S1	
	17703-Z8B-801	TUBE B, FUEL (FKM) .....	-	-	-	-	-	-	1	-----	N7A1,N7S1	
21	19610-ZOL-850ZA	COVER COMP., FAN										
	*NH1*	.....BLACK	-	-	-	-	-	1	-	-----	6702082 A1A,A1AF,A2R,BHH,N1A,N1AF,N5AF,N5MF,N7A1,N7S1,S3H	
	19610-ZOL-850ZB	*T89*.....CRAFTSMAN RED	-	-	-	-	-	1	-	-----	6702082 BHH	
	19610-ZOL-850ZC	*T93*.....HUSQVARNA GRAY	-	-	-	-	-	1	-	-----	6702082 BHH	
	19610-ZOL-850ZD	*T98*.....MTD RED	-	-	-	-	-	1	-	-----	6702082 S1M,S3H	
	19610-ZOL-850ZE	*R280*.....POWER RED	-	-	-	-	-	1	-	-----	6702082 N5R	

Ref. No.	Part No.	Description	Reqd. QTY								Serial No.	Parts catalogue code	
			GCV 160	GCV 160 A	GCV 160 AO	GCV 160 E	GCV 160 LE	GCV 160 LA	GCV 160 LAO				
21)	19610-ZOL-860ZA	COVER COMP., FAN	-	-	-	-	-	-	1	-	-----	6702082 S1A,S3A	
		*NH1*.....BLACK	-	-	-	-	-	-	1	-	-----	6702082 S3A	
	19610-ZOL-860ZC	*T89*.....CRAFTSMAN RED	-	-	-	-	-	-	1	-	-----	6702082 S3A	
	19610-ZOL-860ZD	*T93*.....HUSQVARNA GRAY	-	-	-	-	-	-	1	-	-----	6702082 S3A	
	19610-ZOL-860ZE	*T98*.....MTD RED	-	-	-	-	-	-	1	-	-----	6702082 S3A	
	19610-ZOL-870ZA	*NH1*.....BLACK	-	-	-	-	-	-	1	-	-----	E1A2	
	19610-ZOL-870ZB	*R280*.....POWER RED	-	-	-	-	-	-	1	-	-----	E1A2	
	19610-ZOL-880ZA	*NH1*.....BLACK	-	-	-	-	-	-	1	-	-----	R3A	
	19610-ZOL-880ZB	*R280*.....POWER RED	-	-	-	-	-	-	1	-	-----	R3A	
	19610-ZOL-880ZC	*T89*.....CRAFTSMAN RED	-	-	-	-	-	-	1	-	-----	R3A	
	19610-ZOL-880ZD	*T90*.....EHP ORANGE	-	-	-	-	-	-	1	-	-----	R3A	
	19610-ZOL-880ZE	*Y166R*.....WOLF YELLOW	-	-	-	-	-	-	1	-	-----	R3A	
	19610-ZOL-851ZA	*NH1*.....BLACK	-	-	-	-	-	-	1	-	-----	N5R	
			-	-	-	-	-	-	1	-	6702083	-----	A1A,A1AF,A2R,BHH,N1A,N1AF,N5AF,N5MF,N7A1,N7S1,S3H
			-	-	-	-	-	-	1	-	-----	A1A,A1AF,A2R,BHH,N1A,N1AF,N5AF,N5MF,N7A1,N7S1,S3H	
	19610-ZOL-851ZB	*T89*.....CRAFTSMAN RED	-	-	-	-	-	-	1	-	6702083	-----	BHH
			-	-	-	-	-	-	1	-	-----	BHH	
	19610-ZOL-851ZC	*T93*.....HUSQVARNA GRAY	-	-	-	-	-	-	1	-	6702083	-----	BHH
			-	-	-	-	-	-	1	-	-----	BHH	
	19610-ZOL-851ZD	*T98*.....MTD RED	-	-	-	-	-	-	1	-	6702083	-----	S1M,S3H
			-	-	-	-	-	-	1	-	-----	S1M,S3H	
	19610-ZOL-851ZE	*R280*.....POWER RED	-	-	-	-	-	-	1	-	6702083	-----	N5R
			-	-	-	-	-	-	1	-	-----	N5R	
	19610-ZOL-861ZA	*NH1*.....BLACK	-	-	-	-	-	-	1	-	6702083	-----	S1A,S3A
			-	-	-	-	-	-	1	-	-----	S1A,S3A	
	19610-ZOL-861ZC	*T89*.....CRAFTSMAN RED	-	-	-	-	-	-	1	-	6702083	-----	S3A
			-	-	-	-	-	-	1	-	-----	S3A	
	19610-ZOL-861ZD	*T93*.....HUSQVARNA GRAY	-	-	-	-	-	-	1	-	6702083	-----	S3A
			-	-	-	-	-	-	1	-	-----	S3A	
	19610-ZOL-861ZE	*T98*.....MTD RED	-	-	-	-	-	-	1	-	6702083	-----	S3A
			-	-	-	-	-	-	1	-	-----	S3A	
	19610-ZOL-871ZA	*NH1*.....BLACK	-	-	-	-	-	-	1	-	-----	E1A2	
	19610-ZOL-871ZB	*R280*.....POWER RED	-	-	-	-	-	-	1	-	-----	E1A2	
	19610-ZOL-881ZA	*NH1*.....BLACK	-	-	-	-	-	-	1	-	-----	R3A	
	19610-ZOL-881ZB	*R280*.....POWER RED	-	-	-	-	-	-	1	-	-----	R3A	
	19610-ZOL-881ZC	*T89*.....CRAFTSMAN RED	-	-	-	-	-	-	1	-	-----	R3A	
	19610-ZOL-881ZD	*T90*.....EHP ORANGE	-	-	-	-	-	-	1	-	-----	R3A	
	19610-ZOL-881ZE	*Y166R*.....WOLF YELLOW	-	-	-	-	-	-	1	-	-----	R3A	
22	19619-ZL8-300	COLLAR, FAN COVER	-	-	-	-	-	3	3	3	-----		
23	33609-GK4-620	COLLAR, FR. WINKER	-	-	-	-	-	1	-	-	-----		
			-	-	-	-	-	1	1	-----	A2R,N1A,N7A1,N7S1		
			-	-	-	-	-	1	1	-----	A1A,BHH		
	91501-ZOL-800	COLLAR, FUEL COCK	-	-	-	-	-	1	1	-----	A1AF,E1A2,N1AF,N5AF,N5MF,N5R		
			-	-	-	-	-	1	1	-----	R3A		
			-	-	-	-	-	1	-	6901760	-----	S1A,S1M,S3A,S3H	
			-	-	-	-	-	1	1	-----	A1A,BHH		
24	90013-883-000	BOLT, FLANGE, 6X12(CT200)	-	-	-	-	-	1	-	6901761	-----	S1A,S1M,S3A,S3H	
			-	-	-	-	-	1	-	-----	R3A,S1A,S1M,S3A,S3H		
25	90015-883-000	BOLT, FLANGE, 6X28(CT200)	-	-	-	-	-	1	-	6901761	-----	S1A,S1M,S3A,S3H	
			-	-	-	-	-	1	-	-----	R3A,S1A,S1M,S3A,S3H		
26	90041-ZOM-780	BOLT, STUD	-	-	-	-	1	1	1	-----	A7H1,N7A1,N7S1		
27	90043-ZL8-000	BOLT, STUD (H=42.5MM)	-	-	-	-	2	2	2	-----			
28	90043-ZL8-000	BOLT, STUD (H=42.5MM)	-	-	-	-	1	-	-	-----			
			-	-	-	-	1	1	-----	A1A,A1AF,E1A2,N7A1,N7S1,R3A,S1A,S1M,S3A,S3H			
			-	-	-	-	1	-	-----	6702082 A2R,BHH,N1A,N1AF,N5AF,N5MF,N5R			



# E-12-1

# FAN COVER(2)



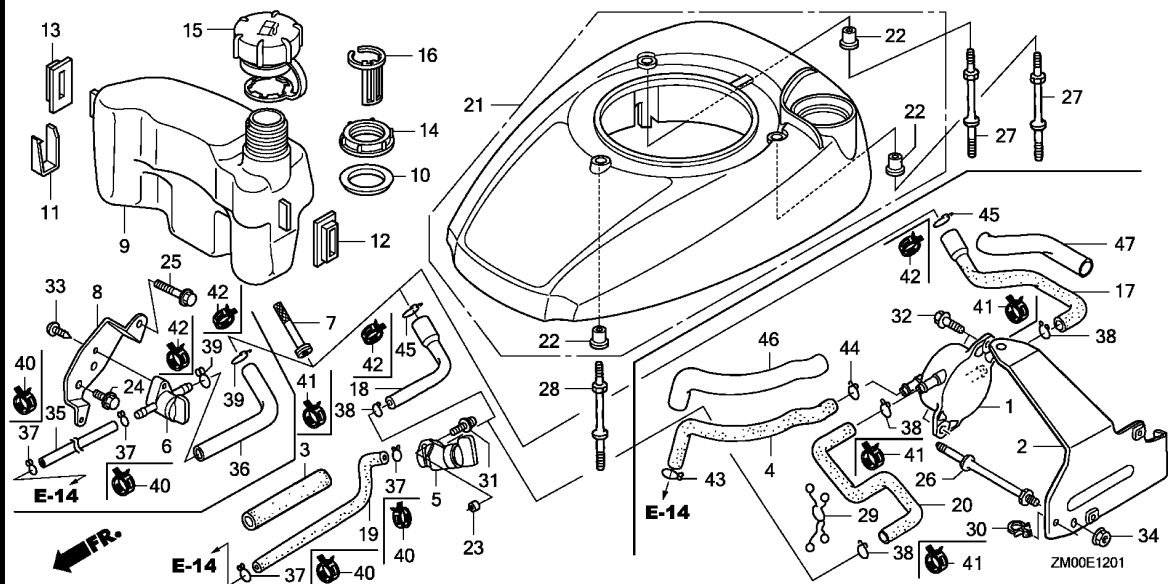
Ref. No.	Part No.	Description	Reqd. QTY								Serial No.	Parts catalogue code
			GCV 160	GCV 160 A	GCV 160 AO	GCV 160 E	GCV 160 LE	GCV 160 LA	GCV 160 LAO			
28)	90043-Z0J-900	BOLT, STUD (H=39.5MM) .....	-	-	-	-	-	1	-	6702083	----- A2R,BHH,N1A,N1AF,N5AF,N5MF,N5R ----- A2R,BHH,N1A,N1AF,N5AF,N5MF,N5R	
29	90601-Z0M-003	CLIP, PURSE LOCK .....	-	-	-	-	1	1	1	----- A7H1,N7A1,N7S1		
30	90659-680-013	CLIP, WIRE HARNESS .....	-	-	-	-	1	1	1	----- A7H1,N7A1,N7S1		
31	93891-05010-08	SCREW-WASHER, 5X10 .....	-	-	-	-	1	-	-	----- A1A,A1AF,A2R,BHH,E1A2,N1A,N1AF,N5AF,N5MF,N5R,N7A1 ----- N7S1 ----- R3A ----- 6901760 S1A,S1M,S3A,S3H		
32	93894-05014-00	SCREW-WASHER, 5X14 .....	-	-	-	-	2	2	2	----- A7H1,N7A1,N7S1		
33	93913-25220	SCREW, TAPPING, 5X12(PO) ....	-	-	-	-	-	1	-	6901761 ----- S1A,S1M,S3A,S3H ----- R3A,S1A,S1M,S3A,S3H		
34	94050-06000	NUT, FLANGE, 6MM .....	-	-	-	-	1	1	1	----- A7H1,N7A1,N7S1		
35	95001-45110-40	TUBE, FUEL, 4.5X110 (95001-45001-60M)	-	-	-	-	-	1	-	6901761 ----- S1A,S1M,S3A,S3H		
	91424-Z8B-821	TUBE, FUEL, 4.5X110(FKM) ....	-	-	-	-	-	-	1	----- R3A,S1A,S1M,S3A,S3H		
36	95001-75160-40	TUBE, FUEL, 7.3X160 (95001-75001-60M)	-	-	-	-	-	1	-	6901761 ----- S1A,S1M,S3A,S3H		
	91427-Z8B-821	TUBE, FUEL, 7.3X160(FKM) ....	-	-	-	-	-	-	1	----- R3A,S1A,S1M,S3A,S3H		
37	95002-02080	CLIP, TUBE (B8) .....	-	-	-	-	-	2	2	-		
38	95002-02100	CLIP, TUBE (B10) .....	-	-	-	-	-	1	1	-		
			-	-	-	-	-	3	3	----- A1A,A1AF,A2A9,A2R,A4A9,BHH,E1A2,N1A,N1AF,N5AF,N5MF ----- N5R,R3A ----- A7H1,N7A1,N7S1		
39	95002-02120	CLIP, TUBE (B12) .....	-	-	-	-	-	-	1	6901760 ----- S1A,S1M,S3A,S3H		
40	95002-40800-08	CLAMP, TUBE (D8) .....	-	-	-	-	-	-	2	----- S1A,S1M,S3A,S3H		



E-12-1

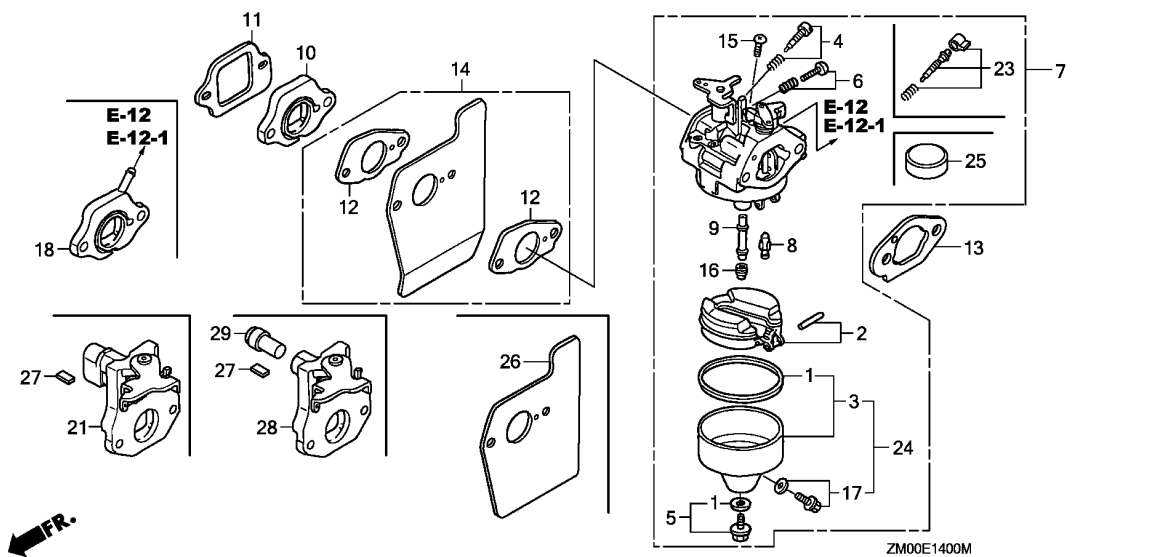
FAN COVER(2)

G 2



Ref. No.	Part No.	Description	Reqd. QTY								Serial No.	Parts catalogue code
			GCV 160	GCV 160 A	GCV 160 A0	GCV 160 E	GCV 160 LE	GCV 160 LA	GCV 160 LA0			
41	95002-41000-08	CLAMP, TUBE (D10)	-	-	-	-	-	-	-	1	-----	A1A,A1AF,A2R,BHH,E1A2,N1A,N1AF,N5AF,N5MF,N5R,N7A1,N7S1
42	95002-41200-08	CLAMP, TUBE (D12)	-	-	-	-	-	-	-	3	-----	A1A,A1AF,A2R,BHH,E1A2,N1A,N1AF,N5AF,N5MF,N5R,N7A1,N7S1
43	95002-45000	CLIP, TUBE (C8)	-	-	-	-	-	-	-	2	-----	R3A,S1A,S1M,S3A,S3H
44	95002-50000	CLIP, TUBE (C9)	-	-	-	-	-	-	-	1	-----	A7H1,N7A1,N7S1
45	95002-70000	CLIP, TUBE (C11)	-	-	-	-	-	-	-	1	-----	A7H1,N7A1,N7S1
			-	-	-	-	-	-	-	1	-----	A1A,A1AF,A2R,BHH,E1A2,N1A,N1AF,N5AF,N5MF,N5R,N7A1,N7S1,R3A
			-	-	-	-	-	-	-	1	-----	6901760 S1A,S1M,S3A,S3H
46	95003-25021-20	TUBE, VINYL, 9X11X210 (95003-25001-10M)	-	-	-	-	-	1	1	1	-----	A7H1,N7A1,N7S1
47	95003-43009-20	TUBE, VINYL, 13X15X90 (95003-43001-10M)	-	-	-	-	-	1	1	1	-----	A7H1,N7A1,N7S1

2

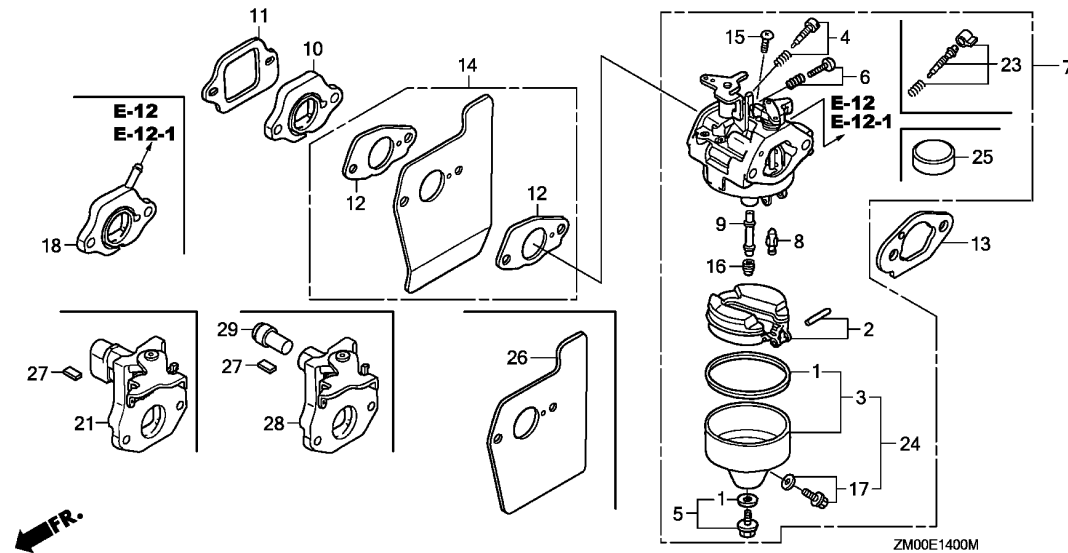


Ref. No.	L.O.N.	(Relative ref. Number) Description	F.R.T.
1	3111B1	GASKET SET, CARBURETOR (23)	0.4
4	3111D7	SCREW SET, PILOT	0.2
7	3111F3	CARBURETOR (2)	0.3
8	3111E1	VALVE SET, FLOAT AND/OR FLOAT SET (11,18)	0.4
10	3111C0	INSULATOR, CARBURETOR AND/OR PACKING, INSULATOR	0.3
12	3111C8	PACKING, CARBURETOR .NOTE: Same time for two units	0.3
13	3111G5	PACKING, CARBURETOR(A) .NOTE: Air cleaner side (26)	0.2
14	3111G8	GUIDE, CARBURETOR AIR	0.3
16	3111C3	JET, MAIN (28)	0.4
21	3111A5	CONTROL, CARBURETOR CHOKE	0.2
24	3111A3	CHAMBER SET, FLOAT AND/OR GASKET, FLOAT CHAMBER	0.3

Ref. No.	Part No.	Description	Reqd. QTY								Serial No.	Parts catalogue code
			GCV 160	GCV 160 A	GCV 160 A0	GCV 160 E	GCV 160 LE	GCV 160 LA	GCV 160 LA0			
1	16010-883-015	PACKING SET	1	1	1	1	1	1	1			
2	16013-ZL1-003	FLOAT SET	1	1	1	1	1	1	1			
3	16015-892-015	CHAMBER SET, FLOAT (CARBURETOR NO.)	1	-	-	-	-	-	-	-	BB62A C	A1E,A1J,A1P,A1U,A2E,A2U,A3E,A4E,N1,N1D,N1E1,N1E2,N1U,N1W,N2,N2D,N2E,N2E1,N2E2,N2E3,N2U,N3V
	16015-887-782	/// (CARBURETOR NO.)	1	-	-	-	-	-	-	-	BB62B C	A1A,A1C,A2A,A2C
	///	///	-	-	-	-	1	1	-	-	BB62W A	A1A,A2A9,A2R,A4A9,BHH,E1A2,N1A
	///	///	-	-	-	-	1	1	-	-	BB62Y A	N7A1,N7S1
	///	///	-	-	-	-	-	1	-	-	BB62Z A	R3A,S1A,S3A
	///	///	-	-	-	-	-	1	-	-	BB65A A	A1AF,N1AF,N5AF,N5MF,N5R
	///	///	-	-	-	-	-	1	-	-	BB65E A	S1M,S3H
	16015-Z0L-881	/// (CARBURETOR NO.)	-	1	-	-	1	-	-	-	BB62W B	A1AW,A1E7,A1M,A2A9,A2E7,BHH1,C1E,C1E1,C2E,C2E1,C3E,C3E1,C4E,C4E1,E2G7,N1L,N1R,N1U,N2U,N3U,N3V
	///	///	-	1	-	-	-	-	-	-	BB62Z B	S3H2
	///	///	-	1	-	-	-	-	-	-	BB65E B	S2G7
	///	(CARBURETOR NO.)	-	-	-	1	1	1	-	-	BB62W B	A1A,A1G9,A1P,A2G4,A2G7,A2G9,A3E7,A3E9,A3G9,A3T9,A3W7,A3W8,A4A9,A4G4,A4G7,A4G9,BHH,N1A,N1J1,N1T9,N1W7,N2E7,N2E8,N3T8,N3W8,N3W9
	///	(CARBURETOR NO.)	-	-	-	1	1	-	-	-	///	A7H1,S1G4
	///	///	-	-	-	1	-	1	-	-	BB62Y B	A7E1,N7S1
	///	///	-	-	-	1	-	1	-	-	BB62Z B	R3A,S1A,S1E1,S2E1,S3A
	///	///	-	-	-	-	1	1	-	-	BB65E B	S1M,S2E2,S3E9,S3H,S4E4,S4E9
	///	///	-	-	-	-	-	1	1	-	BB62Y B	N7A1
	///	///	-	-	-	-	-	-	1	-	BB62W B	A2R
	///	///	-	-	-	-	-	-	1	-	BB65A B	A1AF,N1AF,N5AF,N5MF,N5R
	///	///	-	-	-	-	-	-	1	-	BB65L A	E1A2

Ref. No.	Part No.	Description	Reqd. QTY								Serial No.	Parts catalogue code
			GCV 160	GCV 160 A	GCV 160 AO	GCV 160 E	GCV 160 LE	GCV 160 LA	GCV 160 LAO			
4	16016-892-005	SCREW SET A ..... (CARBURETOR NO.)	1	-	-	-	-	-	-	-	-----	A1C,A2C
			1	-	-	-	-	-	-	-	-----	BB62A D A1E,A1J,A1P,A1U,A2E,A2U,A3E,A4E,N1,N1D,N1E1,N1E2,N1U,N1W,N2,N2D,N2E,N2E1,N2E2,N2E3,N2U,N3V
5	16028-ZE0-005	SCREW SET .....	1	1	1	1	1	1	1	1		
6	16029-ZG0-901	SCREW SET (THROTTLE STOP) ...	1	-	-	-	1	-	-	-	-----	A1A,A1AS,A1AW,A1C,A1E,A1E7,A1E8,A1G7,A1G9,A1M,A1P,A1W7,A2A,A2A9,A2C,A2E7,A2E8,A2E9,A2G4,A2G7,A2G9,A2R,A3E,A3E7,A3E9,A3G9,A3T9,A3W7,A3W8,A4G4,A4G7,A4G9,A7E1,BHH,BHH1,C1E,C1E1,C2E,C2E1,C3E,C3E1,C4E,C4E1,EHBB,E1A4,E1G7,E2G7,E5A4,NBL1,N1A,N1C,N1D,N1E1,N1E2,N1E7,N1J1,N1L,N1R,N1T8,N1T9,N1U,N1W7,N1W8,N1W9,N2E7,N2E8,N2E9,N2U,N3T8,N3T9,N3U,N3V,N3W8,N3W9,N5A,N5C,N7A1,N7S1,S1G4,S2E3,S3G9,S4G4,S4G9
		(CARBURETOR NO.)	-	1	-	-	-	-	-	1	-----	E1A2
		(CARBURETOR NO.)	-	1	-	-	-	-	-	1	-----	BB62H A A1AE,A1AF,A3A,N1AF,N5AF
		(CARBURETOR NO.)	-	-	1	-	-	-	-	1	-----	S1M,S2G7,S3H
			-	-	-	-	-	-	1	-	-----	BB62W A E1A2
			-	-	-	-	-	-	-	-	-----	BB62W B E1A2
7	16100-ZM0-013	CARBURETOR ASSY. (BB62A C) ..	1	-	-	-	-	-	-	-	-----	1676295 A1E,A1J,A1P,A1U,A2E,A2U,A3E,A4E,N1,N1D,N1E1,N1E2,N1U,N1W,N2,N2D,N2E,N2E1,N2E2,N2E3,N2U,N3V
	16100-ZM0-023	CARBURETOR ASSY. (BB62A D) ..	1	-	-	-	-	-	-	-	-----	1676296 1733302 A1E,A1J,A1P,A1U,A2E,A2U,A3E,A4E,N1,N1D,N1E1,N1E2,N1U,N1W,N2,N2D,N2E,N2E1,N2E2,N2E3,N2U,N3V
	16100-ZM0-802	CARBURETOR ASSY. (BB62B C) ..	1	-	-	-	-	-	-	-	-----	1676295 A1A,A1C,A2A,A2C
	16100-ZM0-803	CARBURETOR ASSY. (BB62B D) ..	1	-	-	-	-	-	-	-	-----	A1E7,A1E8,A1G7,A1W2,A1W7,A2E4,A2E7,A2E8,A2E9,A2G7,A2R,N1E7,N1J1,N1R,N1W1,N1W2,N1W7,N1W8,N1W9,N2E7,N2E8,N2E9,N3U
			1	-	-	-	-	-	-	-	-----	1676296 A1A,A1C,A2A,A2C
			1	-	-	-	-	-	-	-	-----	1733303 A1E,A1J,A1P,A1U,A2E,A2U,A3E,A4E,N1,N1D,N1E1,N1E2,N1U,N1W,N2,N2D,N2E,N2E1,N2E2,N2E3,N2U,N3V
			-	1	-	-	-	-	-	-	-----	2225727 A1AE,A1AF,A3A,N1AF,N5AF
			-	1	-	-	-	-	-	-	-----	3201357 A1A,A1AS,A1C,A1E,A1E7,A1E8,A1W7,A2A,A2C,A2E7,A2E8,A2E9,A2G7,A2R,A3E,BHH,EHBB,E1A2,E1A4,E1G7,E2G7,E5A4,N1A,N1C,N1E1,N1E7,N1R,N1U,N1W7,N1W8,N1W9,N2E7,N2E8,N2E9,N2U,N3U,N3V,N5A,N5C
			-	-	-	1	-	-	-	-	-----	1524971 A1E7,A1E8,A1G7,A1G9,A1P,A1W7,A2A9,A2E7,A2E8,A2E9,A2G4,A2G7,A2G9,A2R,A3E7,N1D,N1E1,N1E2,N1E7,N1J1,N1R,N1T8,N1T9,N1W7,N1W8,N1W9,N2E7,N2E8,N2E9
	16100-Z0L-781	CARBURETOR ASSY. (BB62F A) ..	1	-	-	-	-	-	-	-	-----	A7E1,N7A1
			-	1	-	-	-	-	-	-	-----	1456295 A7E1,N7A1
			-	-	-	1	-	-	-	-	-----	1527131 A7E1,N7A1
	16100-Z0L-801	CARBURETOR ASSY. (BB62G A) ..	-	1	-	-	-	-	-	-	-----	3172195 R1A,R3A,R3A1,STA1,S1A,S1A1,S3A
			-	-	-	1	-	-	-	-	-----	1452363 S1E1,S2E,S2E1
	16100-ZM0-804	CARBURETOR ASSY. (BB62B E) ..	-	1	-	-	-	-	-	-	-----	3201358 A1E,A1E8,A1W7,A2E8,A2E9,A2G7,A3E,EHBB,E1A2,E1A4,E1G7,E2G7,E5A4,N1E1,N1E7,N1W7,N1W8,N1W9,N2E7,N2E8,N2E9
			-	1	-	-	-	-	-	-	-----	3698326 NBL1
			-	1	-	-	-	-	-	-	-----	6758509 A1M,C1E,C1E1,C2E,C2E1,N1L
			-	1	-	-	-	-	-	-	-----	3201358 3698326 A1A,A1AS,A1C,A2A,A2C,A2R,BHH,N1A,N1C,N5A,N5C
			-	1	-	-	-	-	-	-	-----	3201358 6758509 A1E7,A2E7,N1R,N1U,N2U,N3U,N3V
			-	-	-	1	-	-	-	-	-----	1524972 A2A9
			-	-	-	1	-	-	-	-	-----	2198732 A3E9,A3T9,A3W7,A3W8,N3T8,N3T9,N3W8,N3W9
			-	-	-	1	-	-	-	-	-----	1524972 2075802 A2R
			-	-	-	1	-	-	-	-	-----	1524972 2198732 A1E7,A1E8,A1G7,A1G9,A1P,A1W7,A2E7,A2E8,A2E9,A2G4,A2G7,A2G9,A3E7,N1D,N1E1,N1E2,N1E7,N1J1,N1R,N1T8,N1T9,N1W7,N1W8,N1W9,N2E7,N2E8,N2E9



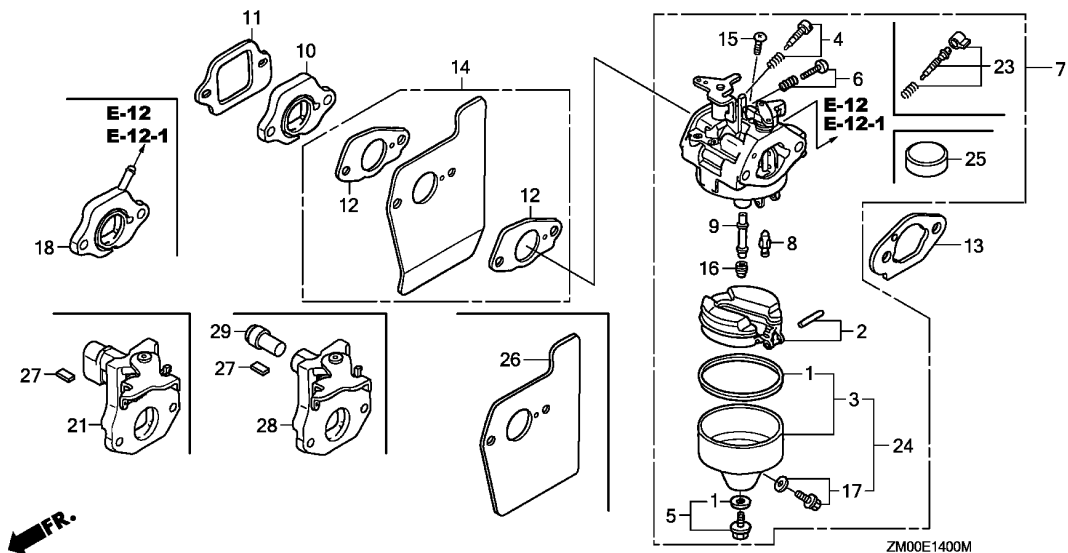


Ref. No.	Part No.	Description	Reqd. QTY						Serial No.	Parts catalogue code		
			GCV 160	GCV 160 A	GCV 160 AO	GCV 160 E	GCV 160 LE	GCV 160 LA			GCV 160 LA0	
(7)	16100-ZOL-782	CARBURETOR ASSY. (BB62F B) ..	-	1	-	-	-	-	-	-----	N7S1	
			-	1	-	-	-	-	-	1456296	A7E1	
			-	1	-	-	-	-	-	1456296	4029852 N7A1	
			-	-	-	1	-	-	-	1527132	1809862 N7A1	
			-	-	-	1	-	-	-	1527132	2704005 A7E1	
	16100-ZOL-802	CARBURETOR ASSY. (BB62G B) ..	-	1	-	-	-	-	-	-----	4030139 RTL1,STL1	
			-	1	-	-	-	-	-	-----	7161134 S3H2	
			-	1	-	-	-	-	-	3172196	4030139 STA1,S1A,S1A1,S3A	
			-	1	-	-	-	-	-	3172196	8020871 R1A,R3A,R3A1	
			-	-	-	1	-	-	-	1452364	S2E	
			-	-	-	1	-	-	-	1452364	2441275 S1E1,S2E1	
	16100-ZOL-811	CARBURETOR ASSY. (BB62H A) ..	-	1	-	-	-	-	-	2225728	3036309 A1AE,A1AF,A3A,N1AF,N5AF	
	16100-ZOL-003	CARBURETOR ASSY. (BB62W A) ..	-	1	-	-	-	-	-	3698327	A1A,A1AS,A1C,A2A,A2C,A2R,BHH,NBL1,N1A,N1C,N5A,N5C	
			-	1	-	-	-	-	-	6758510	7055344 A1E7,A1M,A2E7,C1E,C1E1,C2E,C2E1,N1L,N1R,N1U,N2U,N3U,N3V	
			-	1	-	-	-	-	-	-----	7055344 A1AW,BHH1,C3E,C3E1,C4E,C4E1	
			-	-	-	1	1	-	-	-----	A3G9,A4A9,A4G4,A4G7,A4G9	
			-	-	-	1	-	-	-	2075803	A2R	
			-	-	-	1	-	-	-	2198733	A1E7,A1E8,A1G7,A1G9,A1P,A1W7,A2E7,A2E8,A2E9,A2G4,A2G7,A2G9,A3E7,A3E9,A3T9,A3W7,A3W8,N1D,N1E1,N1E2,N1E7,N1J1,N1R,N1T8,N1T9,N1W7,N1W8,N1W9,N2E7,N2E8,N2E9,N3T8,N3T9,N3W8,N3W9	
			-	-	-	-	1	1	-	-----	A2A9,E1A2	
			-	-	-	-	-	1	-	-----	7055344 A1A,A2R,BHH,N1A	
	16100-ZOL-812	CARBURETOR ASSY. (BB62H B) ..	-	1	-	-	-	-	-	3036310	4062255 A1AE,A1AF,A3A,N1AF,N5AF	
	16100-ZOL-851	CARBURETOR ASSY. (BB62Z A) ..	-	1	-	-	-	-	-	4030140	-----	RTL1,STA1,STL1,S1A,S1A1,S3A
			-	1	-	-	-	-	-	8020872	R1A,R3A,R3A1	
			-	-	-	-	-	1	-	-----	R3A	
			-	-	-	-	-	1	-	-----	7161134 S1A,S3A	

Ref. No.	Part No.	Description	Reqd. QTY								Serial No.	Parts catalogue code	
			GCV 160	GCV 160 A	GCV 160 AO	GCV 160 E	GCV 160 LE	GCV 160 LA	GCV 160 LAO				
(7)	16100-Z1L-003	CARBURETOR ASSY. (BB62Y A)	..	-	1	-	-	-	-	-	-	4029853	----- N7A1
				-	-	-	1	-	-	-	-	1809863	----- N7A1
				-	-	-	1	-	-	-	-	2704006	----- A7E1
				-	-	-	-	1	1	-	-	-----	----- N7A1,N7S1
	16100-Z0L-013	CARBURETOR ASSY. (BB62W B)	..	-	1	-	-	-	-	-	-	7055345	----- A1AW,A1E7,A1M,A2E7,BHH1,C1E,C1E1,C2E,C2E1,C3E,C3E1
				-	-	1	-	-	-	-	1	-----	----- C4E,C4E1,N1L,N1R,N1U,N2U,N3U,N3V
				-	-	-	-	-	-	-	-	-----	----- A1A,A1AW,A1E7,A1M,A2E7,A2R,BHH1,C1E,C1E1,C2E
				-	-	-	-	-	-	-	-	-----	----- C2E1,C3E,C3E1,C4E,C4E1,E1A2,E2G7,N1A,N1L,N1R,N1U
				-	-	-	-	-	-	1	-	7055345	----- A1A,A2R,BHH,N1A
	16100-Z0L-841	CARBURETOR ASSY. (BB62S A)	..	-	1	-	-	-	-	-	-	-----	----- 4803407 S3A2,S3H
	16100-Z0L-852	CARBURETOR ASSY. (BB62Z B)	..	-	1	-	-	-	-	-	-	-----	----- 7161135 S3H2
				-	-	1	-	-	-	-	-	-----	----- R3A,S1A,S3A,S3H2
				-	-	-	1	-	-	-	-	-----	----- 2441276 S1E1,S2E1
				-	-	-	-	1	-	-	-	-----	----- 7161135 S1A,S3A
	16100-Z0L-861	CARBURETOR ASSY. (BB65A A)	..	-	1	-	-	-	-	-	-	-----	----- N5MF,N5R
				-	1	-	-	-	-	-	-	-----	----- 4062256 A1AE,A1AF,A3A,N1AF,N5AF
				-	-	-	-	-	1	-	-	-----	----- 7065311 A1AF,N1AF,N5AF,N5MF,N5R
	16100-Z1L-013	CARBURETOR ASSY. (BB62Y B)	..	-	-	-	-	1	-	1	-	-----	----- A7H1,N7S1
				-	-	-	-	-	-	1	-	-----	----- N7A1
	16100-Z0L-871	CARBURETOR ASSY. (BB65E A)	..	-	1	-	1	-	-	-	-	-----	----- S1M,S2E2,S3E9,S4E4,S4E9
				-	1	-	-	-	-	-	-	-----	----- 4803408 S3A2,S3H
				-	1	-	-	-	-	-	-	-----	----- 7037043 S2G7
				-	-	-	-	-	1	-	-	-----	----- 7037043 S1M,S3H
	16100-Z0L-872	CARBURETOR ASSY. (BB65E B)	..	-	1	-	-	-	-	-	-	-----	----- 7037044 S2G7
				-	-	-	-	-	1	-	-	-----	----- 7037044 S1M,S3H
	16100-Z0L-874	CARBURETOR ASSY. (BB75E A)	..	-	-	1	-	-	-	1	-	-----	----- S1M,S2G7,S3H
	16100-Z1L-851	CARBURETOR ASSY. (BB65K A)	..	-	-	-	1	-	-	-	-	-----	----- S2E3,S3G9,S4G4,S4G9
	16100-Z1L-853	CARBURETOR ASSY. (BB75D A)	..	-	-	-	1	-	-	-	-	-----	----- S1G4
	16100-Z0L-862	CARBURETOR ASSY. (BB65A B)	..	-	-	-	-	-	1	-	-	-----	----- 7065312 A1AF,N1AF,N5AF,N5MF,N5R
				-	-	-	-	-	-	1	-	-----	----- A1AF,N1AF,N5AF,N5MF,N5R
8	16155-ZM0-003	VALVE, FLOAT (CARBURETOR NO.)		1	-	-	-	-	-	-	-	-----	----- BB62B D A1A,A1AS,A1C,A1E,A1E7,A1E8,A1G7,A1G9,A1P,A1W7,A2A
				-	1	-	1	-	-	-	-	-----	----- A2A9,A2C,A2E7,A2E8,A2E9,A2G4,A2G7,A2G9,A2R,A3E
				-	-	-	-	-	-	-	-	-----	----- A3E7,BHH,EHBB,E1A2,E1A4,E1G7,E2G7,E5A4,N1A,N1C,N1D
				-	-	-	-	-	-	-	-	-----	----- N1E1,N1E2,N1E7,N1J1,N1R,N1T8,N1T9,N1U,N1W7,N1W8
				-	-	-	-	-	-	-	-	-----	----- N1W9,N2E7,N2E8,N2E9,N2U,N3U,N3V,N5A,N5C
		//		-	1	-	1	-	-	-	-	-----	----- BB62F A A7E1,N7A1
		//		-	1	-	1	-	-	-	-	-----	----- BB62G A R1A,R3A,R3A1,STA1,S1A,S1A1,S1E1,S2E,S2E1,S3A
		//		-	1	-	-	-	-	-	-	-----	----- BB62H A A1AE,A1AF,A3A,N1AF,N5AF
	16155-ZM0-013	.....		-	1	-	1	-	-	-	-	-----	----- A1AW,A1M,A3E9,A3G9,A3T9,A3W7,A3W8,A4G4,A4G7,A4G9
				-	-	-	-	-	-	-	-	-----	----- BHH1,C1E,C1E1,C2E,C2E1,C3E,C3E1,C4E,C4E1,NBL1,N1L
				-	-	-	-	-	-	-	-	-----	----- N3T8,N3T9,N3W8,N3W9,N5MF,N5R,N7S1,RTL1,STL1,S1G4
				-	-	-	-	-	-	-	-	-----	----- S1M,S2E2,S2E3,S2G7,S3A2,S3E9,S3G9,S3H,S3H2,S4E4
				-	-	-	-	-	-	-	-	-----	----- S4E9,S4G4,S4G9
		(CARBURETOR NO.)		-	1	-	1	-	-	-	-	-----	----- BB62B E A1A,A1AS,A1C,A1E,A1E7,A1E8,A1G7,A1G9,A1P,A1W7,A2A
				-	-	-	-	-	-	-	-	-----	----- A2A9,A2C,A2E7,A2E8,A2E9,A2G4,A2G7,A2G9,A2R,A3E
				-	-	-	-	-	-	-	-	-----	----- A3E7,BHH,EHBB,E1A2,E1A4,E1G7,E2G7,E5A4,N1A,N1C,N1D
				-	-	-	-	-	-	-	-	-----	----- N1E1,N1E2,N1E7,N1J1,N1R,N1T8,N1T9,N1U,N1W7,N1W8
				-	-	-	-	-	-	-	-	-----	----- N1W9,N2E7,N2E8,N2E9,N2U,N3U,N3V,N5A,N5C
		//		-	1	-	1	-	-	-	-	-----	----- BB62F B A7E1,N7A1
		//		-	1	-	1	-	-	-	-	-----	----- BB62G B R1A,R3A,R3A1,STA1,S1A,S1A1,S1E1,S2E,S2E1,S3A
		//		-	1	-	-	-	-	-	-	-----	----- BB62H B A1AE,A1AF,A3A,N1AF,N5AF
		//		-	-	1	-	1	1	1	-	-----	-----



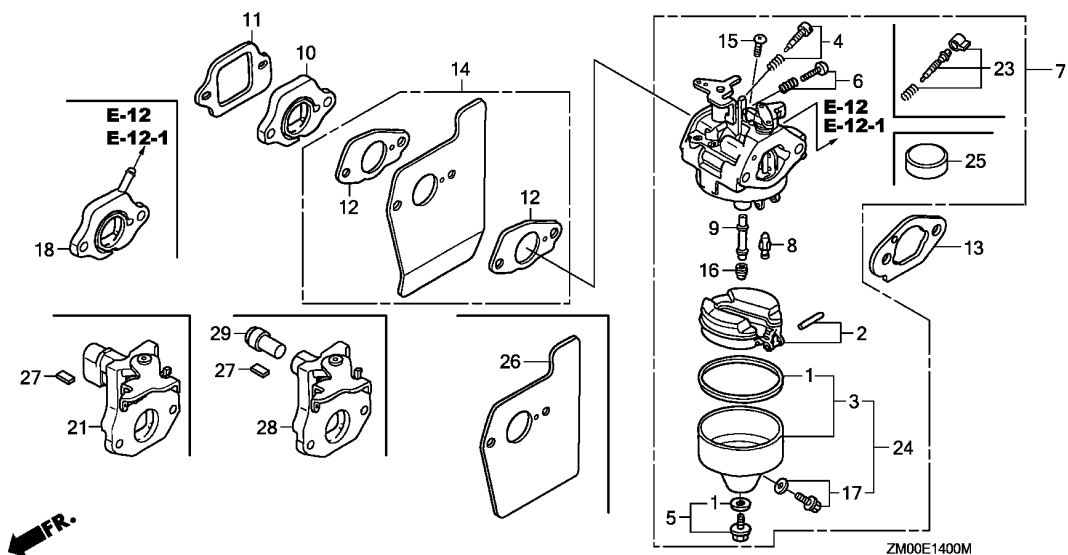




Ref. No.	Part No.	Description	Reqd. QTY							Serial No.	Parts catalogue code	
			GCV 160	GCV 160 A	GCV 160 A0	GCV 160 E	GCV 160 LE	GCV 160 LA	GCV 160 LA0			
9	16166-ZM0-003	NOZZLE, MAIN	1	-	-	-	1	-	-	-----	-----	A1A, A1AE, A1AF, A1AS, A1AW, A1C, A1E, A1E7, A1E8, A1G7, A1G9, A1M, A1P, A1W7, A2A, A2A9, A2C, A2E7, A2E8, A2E9, A2G4, A2G7, A2G9, A2R, A3A, A3E, A3E7, A3E9, A3G9, A3T9, A3W7, A3W8, A4G4, A4G7, A4G9, A7E1, BHH, BHH1, C1E, C1E1, C2E, C2E1, C3E, C3E1, C4E, C4E1, EHHB, E1A2, E1A4, E1G7, E2G7, E5A4, NBL1, N1A, N1AF, N1C, N1D, N1E1, N1E2, N1E7, N1J1, N1L, N1R, N1T8, N1T9, N1U, N1W7, N1W8, N1W9, N2E7, N2E8, N2E9, N2U, N3T8, N3T9, N3U, N3V, N3W8, N3W9, N5A, N5AF, N5C, N5MF, N5R, N7A1, N7S1, RTL1, R1A, R3A, R3A1, STA1, STL1, S1A, S1A1, S1E1, S2E, S2E1, S3A, S3H2
	16166-Z0L-841	.....	-	1	-	1	-	1	-	-----	-----	S1M, S2E2, S2G7, S3A2, S3E9, S3H, S4E4, S4E9
	16166-Z1L-851	.....	-	-	-	1	-	-	-	-----	-----	S2E3, S3G9, S4G4, S4G9
	16166-Z2C-003	.....	-	-	1	1	-	-	1	-----	-----	S1G4, S1M, S2G7, S3H
10	16211-ZL8-000	INSULATOR, CARBURETOR	1	1	1	1	1	1	1	-----	-----	A1A, A1AE, A1AF, A1AS, A1AW, A1C, A1E, A1E7, A1E8, A1G7, A1G9, A1J, A1M, A1P, A1U, A1W2, A1W7, A2A, A2A9, A2C, A2E, A2E4, A2E7, A2E8, A2E9, A2G4, A2G7, A2G9, A2R, A2U, A3A, A3E, A3E7, A3E9, A3G9, A3T9, A3W7, A3W8, A4A9, A4E, A4G4, A4G7, A4G9, BHH, BHH1, C1E, C1E1, C2E, C2E1, C3E, C3E1, C4E, C4E1, EHHB, E1A2, E1A4, E1G7, E2G7, E5A4, NBL1, N1, N1A, N1AF, N1C, N1D, N1E1, N1E2, N1E7, N1J1, N1L, N1R, N1T8, N1T9, N1U, N1W, N1W1, N1W2, N1W7, N1W8, N1W9, N2, N2D, N2E, N2E1, N2E2, N2E3, N2E7, N2E8, N2E9, N2U, N3T8, N3T9, N3U, N3V, N3W8, N3W9, N5A, N5AF, N5C, N5MF, N5R, RTL1, R1A, R3A, R3A1, STA1, STL1, S1A, S1A1, S1E1, S2E, S2E1, S3A, S3H2
11	16212-ZL8-000	PACKING, INSULATOR	1	1	1	1	1	1	1	-----	-----	

Ref. No.	Part No.	Description	Reqd. QTY								Serial No.	Parts catalogue code			
			GCV 160	GCV 160 A	GCV 160 AO	GCV 160 E	GCV 160 LE	GCV 160 LA	GCV 160 LAO	GCV 160 LAO					
12	16221-883-800	PACKING, CARBURETOR .....	2	-	-	-	-	-	-	-	-	-	A1AW,A1C,A1E,A1E8,A1W7,A2A,A2C,A2E8,A2E9,A2G7,A3A,A3E,A7E1,EHBB,E1A2,E1A4,E1G7,E2G7,E5A4,N1C,N1E1,N1E7,N1W7,N1W8,N1W9,N2E7,N2E8,N2E9,N5C,R1A,R3A,R3A1,STA1,S1A1		
			-	2	-	-	-	-	-	-	-	-	-	A1A,A1AF,A2R,BHH,N1A,N1AF,N5AF,N5MF,N5R,N7A1,N7S1,S1A,S1M,S3A,S3H	
			-	2	-	-	-	-	-	-	-	-	6349022	A1AE,A1AS,A1E7,A1M,A2E7,BHH1,C1E,C1E1,C2E,C2E1,C3E,C3E1,C4E,C4E1,NBL1,N1L,N1R,N1U,N2U,N3U,N3V,N5A,RTL1,STL1,S2G7,S3A2,S3H2	
			-	-	-	2	2	-	-	-	-	-	2441644	A1E7,A1E8,A1G7,A1G9,A1P,A1W7,A2A9,A2E7,A2E8,A2E9,A2G4,A2G7,A2G9,A2R,A3E7,A3E9,A3G9,A3T9,A3W7,A3W8,A4A9,A4G4,A4G7,A4G9,A7E1,N1D,N1E1,N1E2,N1E7,N1J1,N1R,N1T8,N1T9,N1W7,N1W8,N1W9,N2E7,N2E8,N2E9,N3T8,N3T9,N3W8,N3W9,N7A1,S1E1,S2E,S2E1,S2E2,S2E3,S3E9,S3G9,S4E4,S4E9,S4G4,S4G9	
13	16228-ZL8-000	PACKING, CARBURETOR .....	-	-	-	-	-	-	2	-	-	6349022	A1A,A1AF,A2R,BHH,N1A,N1AF,N5AF,N5MF,N5R,N7A1,N7S1,S1A,S1M,S3A,S3H		
			-	1	1	1	-	1	1	-	-	-	-	A1A,A1AE,A1AF,A1AS,A1AW,A1C,A1E,A1E7,A1E8,A1G7,A1G9,A1M,A1P,A1W7,A2A,A2A9,A2C,A2E7,A2E8,A2E9,A2G4,A2G7,A2G9,A2R,A3A,A3E,A3E7,A3E9,A3G9,A3T9,A3W7,A3W8,A4G4,A4G7,A4G9,A7E1,BHH,BHH1,C1E,C1E1,C2E,C2E1,C3E,C3E1,C4E,C4E1,EHBB,E1A2,E1A4,E1G7,E2G7,E5A4,NBL1,N1A,N1AF,N1C,N1D,N1E1,N1E2,N1E7,N1J1,N1L,N1R,N1T8,N1T9,N1U,N1W7,N1W8,N1W9,N2E7,N2E8,N2E9,N2U,N3T8,N3T9,N3U,N3V,N3W8,N3W9,N5A,N5AF,N5C,N5MF,N5R,N7A1,N7S1,RTL1,R1A,R3A,R3A1,STA1,STL1,S1A,S1A1,S1E1,S2E,S2E1,S3A,S3H2	
14	16228-ZOL-840	PACKING, CARBURETOR (CHOKE SIDE)	-	-	-	1	-	-	-	-	-	2441275	S2E2,S2E3,S3E9,S3G9,S4E4,S4E9,S4G4,S4G9		
			-	1	1	1	-	1	1	-	-	2441276	S1G4,S1M,S2G7,S3A2,S3H		
14	19650-ZM0-000	GUIDE COMP., AIR .....	1	-	-	-	-	-	-	-	-	-	-	A1AW,A1C,A1E,A1E8,A1W7,A2A,A2C,A2E8,A2E9,A2G7,A3A,A3E,A7E1,EHBB,E1A2,E1A4,E1G7,E2G7,E5A4,N1C,N1E1,N1E7,N1W7,N1W8,N1W9,N2E7,N2E8,N2E9,N5C,R1A,R3A,R3A1,STA1,S1A1	
			-	1	-	-	-	-	-	-	-	-	-	-	A1A,A1AF,A2R,BHH,N1A,N1AF,N5AF,N5MF,N5R,N7A1,N7S1,S1A,S1M,S3A,S3H
			-	1	-	-	-	-	-	-	-	-	6349022	A1AE,A1AS,A1E7,A1M,A2E7,BHH1,C1E,C1E1,C2E,C2E1,C3E,C3E1,C4E,C4E1,NBL1,N1L,N1R,N1U,N2U,N3U,N3V,N5A,RTL1,STL1,S2G7,S3A2,S3H2	
			-	-	-	1	1	-	-	-	-	-	2441644	A1E7,A1E8,A1G7,A1G9,A1P,A1W7,A2A9,A2E7,A2E8,A2E9,A2G4,A2G7,A2G9,A2R,A3E7,A3E9,A3G9,A3T9,A3W7,A3W8,A4A9,A4G4,A4G7,A4G9,A7E1,N1D,N1E1,N1E2,N1E7,N1J1,N1R,N1T8,N1T9,N1W7,N1W8,N1W9,N2E7,N2E8,N2E9,N3T8,N3T9,N3W8,N3W9,N7A1,S1E1,S2E,S2E1,S2E2,S2E3,S3E9,S3G9,S4E4,S4E9,S4G4,S4G9	
15	93500-05006-1H	SCREW, PAN, 5X6 .....	-	-	-	-	-	-	1	-	-	6349022	A1A,A1AF,A2R,BHH,N1A,N1AF,N5AF,N5MF,N5R,N7A1,N7S1,S1A,S1M,S3A,S3H		
			1	1	1	1	1	1	1	1	-	-	-	-	

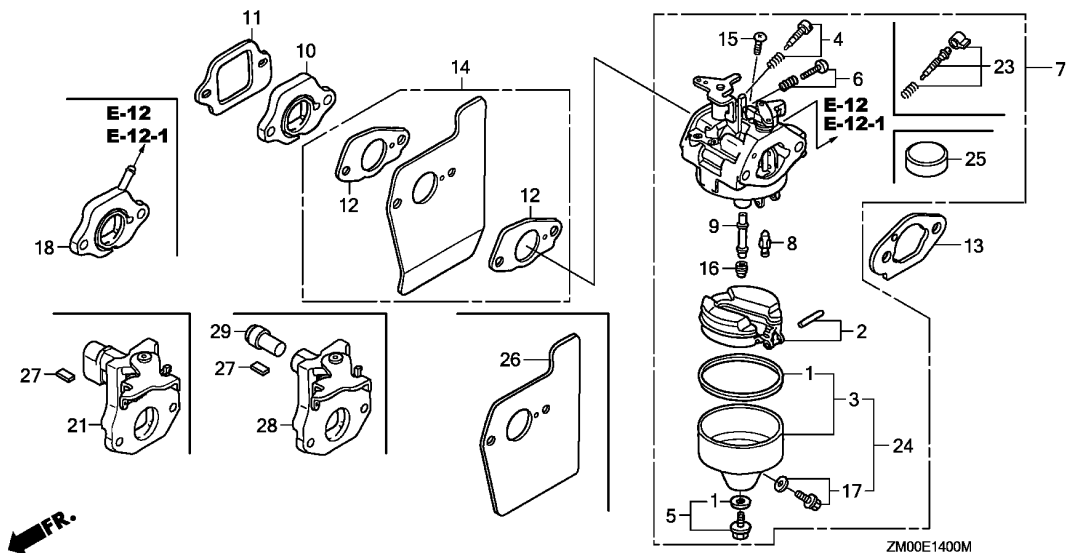




Ref. No.	Part No.	Description	Reqd. QTY							Serial No.	Parts catalogue code
			GCV 160 A	GCV 160 A0	GCV 160 E	GCV 160 LE	GCV 160 LA	GCV 160 LA0			
16	99101-124-0600	JET, MAIN, #60 .....	-	(1)	-	(1)	-	-	-	-	A3G9,A3T9,A4G4,A4G7,A4G9,C3E,C3E1,C4E,C4E1,S2E3,S3G9,S4G4,S4G9
			(1)	-	-	-	(1)	-	-	-	A1A,A1AE,A1AF,A1AS,A1AW,A1C,A1E,A1E7,A1E8,A1G7,A1G9,A1M,A1P,A1W7,A2A,A2A9,A2C,A2E7,A2E8,A2E9,A2G4,A2G7,A2G9,A2R,A3A,A3E,A3E7,A3E9,A3W7,A3W8,A7E1,BHH,BHH1,C1E,C1E1,C2E,C2E1,EHHB,E1A2,E1A4,E1G7,E2G7,E5A4,NBL1,N1A,N1AF,N1C,N1D,N1E1,N1E2,N1E7,N1J1,N1L,N1R,N1T8,N1T9,N1U,N1W7,N1W8,N1W9,N2E7,N2E8,N2E9,N2U,N3T8,N3T9,N3U,N3V,N3W8,N3W9,N5A,N5AF,N5C,N5MF,N5R,N7A1,N7S1,RTL1,R1A,R3A,R3A1,STA1,STL1,S1A,S1A1,S1E1,S2E,S2E1,S2E3,S3A,S3G9,S3H2,S4G4,S4G9
	99101-124-0620	JET, MAIN, #62 .....	(1)	-	(1)	-	(1)	-	(1)	-	C3E,C3E1,C4E,C4E1
			-	(1)	-	-	-	-	-	-	A1A,A1AE,A1AF,A1AS,A1AW,A1C,A1E,A1E7,A1E8,A1G7,A1G9,A1M,A1P,A1W7,A2A,A2A9,A2C,A2E7,A2E8,A2E9,A2G4,A2G7,A2G9,A2R,A3A,A3E,A3E7,A3E9,A3G9,A3T9,A3W7,A3W8,A4G4,A4G7,A4G9,A7E1,BHH,BHH1,C1E,C1E1,C2E,C2E1,C3E,C3E1,C4E,C4E1,EHHB,E1A2,E1A4,E1G7,E2G7,E5A4,NBL1,N1A,N1AF,N1C,N1D,N1E1,N1E2,N1E7,N1J1,N1L,N1R,N1T8,N1T9,N1U,N1W7,N1W8,N1W9,N2E7,N2E8,N2E9,N2U,N3T8,N3T9,N3U,N3V,N3W8,N3W9,N5A,N5AF,N5C,N5MF,N5R,N7A1,N7S1,RTL1,R1A,R3A,R3A1,STA1,STL1,S1A,S1A1,S1E1,S1G4,S2E,S2E1,S2E3,S3A,S3G9,S3H2,S4G4,S4G9

Ref. No.	Part No.	Description	Reqd. QTY							Serial No.	Parts catalogue code	
			GCV 160	GCV 160 A	GCV 160 AO	GCV 160 E	GCV 160 LE	GCV 160 LA	GCV 160 LAO			
16)	99101-124-0650	JET, MAIN, #65	1	-	-	-	1	-	-	-----	-----	A1A, A1AE, A1AF, A1AS, A1AW, A1C, A1E, A1E7, A1E8, A1G7, A1G9, A1M, A1P, A1W7, A2A, A2A9, A2C, A2E7, A2E8, A2E9, A2G4, A2G7, A2G9, A2R, A3A, A3E, A3E7, A3E9, A3G9, A3T9, A3W7, A3W8, A4G4, A4G7, A4G9, A7E1, BHH, BHH1, C1E, C1E1, C2E, C2E1, C3E, C3E1, C4E, C4E1, EHHB, E1A2, E1A4, E1G7, E2G7, E5A4, NBL1, N1A, N1AF, N1C, N1D, N1E1, N1E2, N1E7, N1J1, N1L, N1R, N1T8, N1T9, N1U, N1W7, N1W8, N1W9, N2E7, N2E8, N2E9, N2U, N3T8, N3T9, N3U, N3V, N3W8, N3W9, N5A, N5AF, N5C, N5MF, N5R, N7A1, N7S1, RTL1, R1A, R3A, R3A1, STA1, STL1, S1A, S1A1, S1E1, S2E, S2E1, S2E3, S3A, S3G9, S3H2, S4G4, S4G9
	99101-124-0680	JET, MAIN, #68	-	(1)	(1)	(1)	-	(1)	(1)	-----	-----	S1G4, S1M, S2E2, S2G7, S3A2, S3E9, S3H, S4E4, S4E9
	99101-124-0700	JET, MAIN, #70	-	-	-	(1)	-	-	-	-----	-----	S1G4, S1M, S2G7, S3A2, S3H
17	16024-ZE1-811	SCREW SET, DRAIN	1	1	-	1	-	1	-	-----	-----	S2E2, S3E9, S4E4, S4E9
		(CARBURETOR NO.)	1	1	-	-	-	-	-	-----	-----	S1M, S2E2, S2G7, S3A2, S3E9, S3H, S4E4, S4E9
		//	1	-	-	-	-	-	-	-----	-----	A1AE, A1AF, A1AS, A1E8, A1G7, A1W2, A1W7, A2E4, A2E8, A2E9
		//	1	-	-	-	-	-	-	-----	-----	A2R, N1E7, N1W1, N1W2, N1W8, N1W9, N2E9, N7A1
			1	1	-	-	-	-	-	-----	-----	A2G7, A7E1, N1J1, N1W7, N2E7, N2E8
			1	-	-	-	-	-	-	-----	-----	A1E7, A2E7, N1R, N3U
			1	-	-	-	-	-	-	-----	-----	BB62A D A1E, A1J, A1P, A1U, A2E, A2U, A3E, A4E, N1, N1D, N1E1, N1E2
			1	-	-	-	-	-	-	-----	-----	N1U, N1W, N2, N2D, N2E, N2E1, N2E2, N2E3, N2U, N3V
			1	-	-	-	-	-	-	-----	-----	A1A, A2A
			1	-	-	-	-	-	-	-----	-----	BB64B C A1C, A2C
			-	1	-	1	-	-	-	-----	-----	A1A, A1C, A1E, A2A, A2A9, A2C, A3A, A3E, BHH, EHHB, E1A2, E1A4, E1G7, E5A4, NBL1, N1A, N1AF, N1C, N1D, N1E1, N1E2, N1T8, N3T9, N5A, N5AF, N5C, N5MF, N5R, N7S1, RTL1, R1A, R3A, R3A1, STA1, STL1, S1A, S1A1, S1M, S2E, S2E3, S3A, S3A2, S3G9, S3H, S4G4, S4G9
		(CARBURETOR NO.)	-	1	-	-	1	-	-	-----	-----	BB62W A A1AW, A1E7, A1M, A2A9, A2E7, BHH1, C1E, C1E1, C2E, C2E1, C3E, C3E1, C4E, C4E1, E2G7, N1L, N1R, N1U, N2U, N3U, N3V
		//	-	1	-	-	-	-	-	-----	-----	BB62Z A S3H2
		//	-	1	-	-	-	-	-	-----	-----	BB65E A S2G7
		//	-	-	-	1	1	1	-	-----	-----	BB62W A A1A, A1G9, A1P, A2G4, A2G7, A2G9, A3E7, A3E9, A3G9, A3T9, A3W7, A3W8, A4A9, A4G4, A4G7, A4G9, BHH, E1A2, N1A, N1J1, N1T9, N1W7, N2E7, N2E8, N3T8, N3W8, N3W9
		//	-	-	-	1	-	1	-	-----	-----	BB62Y A A7E1, N7S1
		//	-	-	-	1	-	1	-	-----	-----	BB62Z A R3A, S1A, S1E1, S2E1, S3A
		//	-	-	-	1	-	1	-	-----	-----	BB65E A S1M, S2E2, S3E9, S3H, S4E4, S4E9
		//	-	-	-	-	1	1	-	-----	-----	BB62Y A N7A1
		//	-	-	-	-	-	1	-	-----	-----	BB62W A A2R
		//	-	-	-	-	-	1	-	-----	-----	BB65A A A1AF, N1AF, N5AF, N5MF, N5R
18	16210-ZOM-780	INSULATOR COMP., CARBURETOR	1	1	-	1	1	1	1	-----	-----	A7E1, A7H1, N7A1, N7S1
21	16600-ZOL-840	CONTROL ASSY., CHOKE	-	1	1	1	-	1	1	-----	-----	S1M, S2E2, S2E3, S2G7, S3A2, S3E9, S3G9, S3H, S4E4, S4E9, S4G4, S4G9





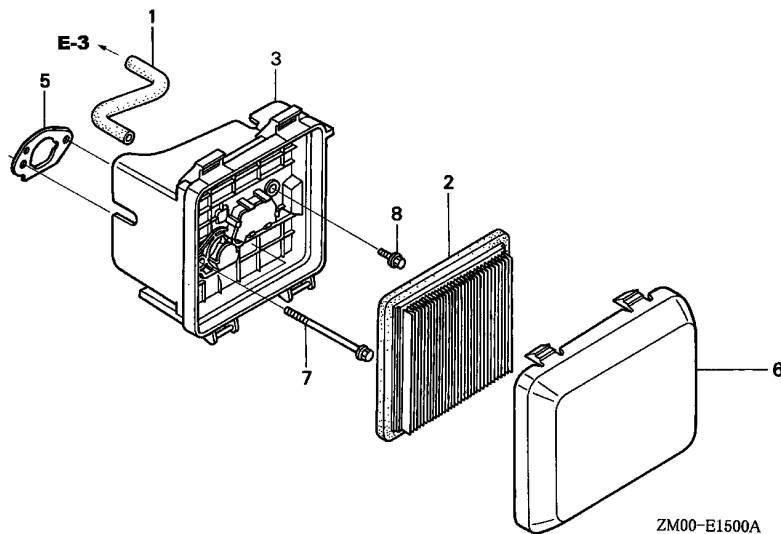
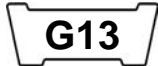
Ref. No.	Part No.	Description	Reqd. QTY							Serial No.	Parts catalogue code	
			GCV 160	GCV 160 A	GCV 160 A0	GCV 160 E	GCV 160 LE	GCV 160 LA	GCV 160 LA0			
23	16016-ZG0-W00	SCREW SET .....	1	1	1	1	-	1	1	-----	A1A,A1AS,A1AW,A1E7,A1E8,A1G7,A1G9,A1M,A1W2,A1W7 A2A,A2A9,A2E4,A2E7,A2E8,A2E9,A2G4,A2G7,A2G9,A2R A3E7,A3E9,A3G9,A3T9,A3W7,A3W8,A4G4,A4G7,A4G9,A7E1 BHH,BHH1,C1E,C1E1,C2E,C2E1,C3E,C3E1,C4E,C4E1,EHHB E1A4,E1G7,E2G7,E5A4,NBL1,N1A,N1C,N1E7,N1J1,N1L,N1R N1T8,N1T9,N1W1,N1W2,N1W7,N1W8,N1W9,N2E7,N2E8,N2E9 N3T8,N3T9,N3U,N3W8,N3W9,N5A,N5C,N7A1,N7S1,S1G4 S2E3,S3G9,S4G4,S4G9	
	(CARBURETOR NO.)		1	-	-	-	-	-	-	BB62B D	-----	A1E,A1J,A1P,A1U,A2E,A2U,A3E,A4E,N1,N1D,N1E1,N1E2 N1U,N1W,N2,N2D,N2E,N2E1,N2E2,N2E3,N2U,N3V
	(CARBURETOR NO.)		-	1	1	1	-	-	1	-----	-----	A1C,A1E,A1P,A2C,A3E,E1A2,N1D,N1E1,N1E2,N1U,N2U,N3V A1AE,A1AF,A3A,N1AF,N5AF
	//		-	-	-	-	-	1	-	-----	-----	BB62W A E1A2 BB62W B E1A2

Ref. No.	Part No.	Description	Reqd. QTY								Serial No.	Parts catalogue code		
			GCV 160	GCV 160 A	GCV 160 A0	GCV 160 E	GCV 160 LE	GCV 160 LA	GCV 160 LA0					
24	16015-887-782	CHAMBER SET, FLOAT .....	1	1	-	1	-	-	-	-	-	-----	A1AE,A1AF,A1AS,A1E8,A1G7,A1W2,A1W7,A2E4,A2E8,A2E9 A2R,N1E7,N1W1,N1W2,N1W8,N1W9,N2E9,N7A1 A2G7,A7E1,N1J1,N1W7,N2E7,N2E8 A1E7,A2E7,N1R,N3U	
		(CARBURETOR NO.)	1	-	-	-	-	-	-	-	-	BB62A D	-----	A1E,A1J,A1P,A1U,A2E,A2U,A3E,A4E,N1,N1D,N1E1,N1E2 N1U,N1W,N2,N2D,N2E,N2E1,N2E2,N2E3,N2U,N3V A1A,A1C,A2A,A2C
		//	-	1	-	1	-	-	-	-	-	BB62B D	-----	A1A,A1C,A1E,A2A,A2A9,A2C,A3A,A3E,BHH,EHHB,E1A2 E1A4,E1G7,E5A4,NBL1,N1A,N1AF,N1C,N1D,N1E1,N1E2 N1T8,N3T9,N5A,N5AF,N5C,N5MF,N5R,N7S1,RTL1,R1A,R3A R3A1,STA1,STL1,S1A,S1A1,S1M,S2E,S2E3,S3A,S3A2,S3G9 S3H,S4G4,S4G9
		(CARBURETOR NO.)	-	1	-	1	-	-	-	-	-	BB62W A	-----	A1AW,A1G9,A1M,A1P,A2G4,A2G9,A3E7,A3E9,A3G9,A3T9 A3W7,A3W8,A4G4,A4G7,A4G9,BHH1,C1E,C1E1,C2E,C2E1 C3E,C3E1,C4E,C4E1,E2G7,N1J1,N1L,N1T9,N1U,N2U,N3T8 N3U,N3V,N3W8,N3W9
		//	-	1	-	1	-	-	-	-	-	BB62Z A	-----	S1E1,S2E1,S3H2
		//	-	1	-	1	-	-	-	-	-	BB65E A	-----	S2E2,S2G7,S3E9,S4E4,S4E9
		//	-	1	-	1	-	-	-	-	-	BB62W A	-----	A1E7,A2E7,N1R
		//	-	-	-	1	-	-	-	-	-	BB62W A	-----	A2G7,N1W7,N2E7,N2E8
		//	-	-	-	1	-	-	-	-	-	BB62Y A	-----	A7E1
25	16148-Z1L-851	CAP, CHOKE DUST .....	-	-	1	1	-	-	-	1	-	-----	S1G4,S1M,S2E3,S2G7,S3G9,S3H,S4G4,S4G9	
26	19651-Z0L-000	GUIDE, AIR .....	-	1	-	-	-	-	-	-	-	6349023	-----	A1AE,A1AS,A1E7,A1M,A2E7,BHH1,C1E,C1E1,C2E,C2E1,C3E C3E1,C4E,C4E1,NBL1,N1L,N1R,N1U,N2U,N3U,N3V,N5A RTL1,STL1,S2G7,S3A2,S3H2
			-	-	1	-	-	-	-	1	-	-----	A7H1,S1G4	
			-	-	-	1	1	-	-	-	-	2441645	-----	A1E7,A1E8,A1G7,A1G9,A1P,A1W7,A2A9,A2E7,A2E8,A2E9 A2G4,A2G7,A2G9,A2R,A3E7,A3E9,A3G9,A3T9,A3W7,A3W8 A4A9,A4G4,A4G7,A4G9,A7E1,N1D,N1E1,N1E2,N1E7,N1J1 N1R,N1T8,N1T9,N1W7,N1W8,N1W9,N2E7,N2E8,N2E9,N3T8 N3T9,N3W8,N3W9,N7A1,S1E1,S2E,S2E1,S2E2,S2E3,S3E9 S3G9,S4E4,S4E9,S4G4,S4G9
			-	-	-	-	-	-	1	-	-	6349023	-----	A1A,A1AF,A2R,BHH,N1A,N1AF,N5AF,N5MF,N5R,N7A1,N7S1 S1A,S1M,S3A,S3H
27	16213-Z1L-305	SHEET, THERMAL CONDUCTIVE ...	-	-	-	(1)	-	-	-	-	-	-----	S1G4,S2E2,S2E3,S3E9,S3G9,S4E4,S4E9,S4G4,S4G9	
28	16600-Z1L-840	CONTROL ASSY., CHOKE .....	-	-	-	1	-	-	-	-	-	-----	S1G4	
29	16620-Z1L-841	THERMOWAX ASSY. ....	-	-	-	1	-	-	-	-	-	-----	S1G4	



E-15

AIR CLEANER



Ref. No.	L.O.N.	(Relative ref. Number) Description	F.R.T.
1	1111K5	TUBE, BREATHER .....	0.1
2	3121B8	ELEMENT, AIR CLEANER .....	0.1
3	3121A5	CASE, AIR CLEANER .....	0.2
5	3121D9	PACKING, AIR CLEANER .....	0.2

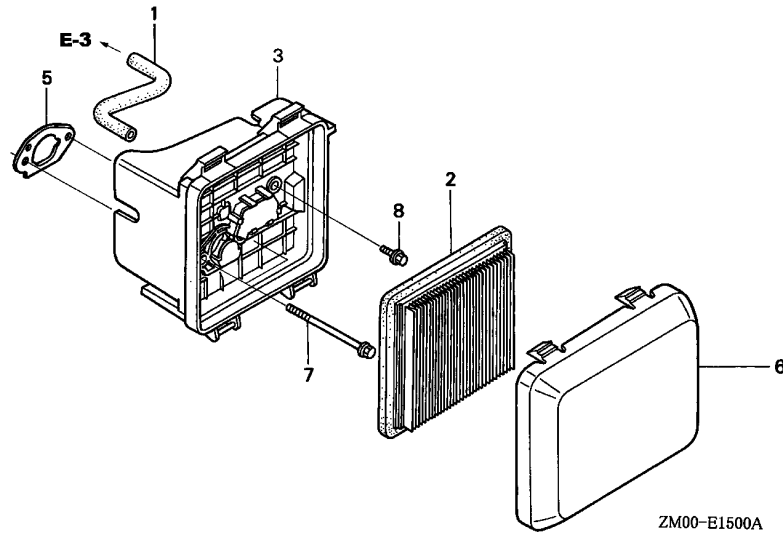
Ref. No.	Part No.	Description	Reqd. QTY								Serial No.	Parts catalogue code
			GCV 160	GCV 160 A	GCV 160 A0	GCV 160 E	GCV 160 LE	GCV 160 LA	GCV 160 LA0			
1	15721-ZM0-000	TUBE, BREATHER .....	1	1	1	1	1	1	1			
2	17211-ZL8-000	ELEMENT, AIR CLEANER .....	1	-	-	-	-	-	-	2240610	A1A,A1C,A1E,A1J,A1P,A1U,A1W2,A2A,A2C,A2E,A2E4,A2R A2U,A3E,A4E,N1,N1D,N1E1,N1E2,N1U,N1W,N1W1,N1W2,N2 N2D,N2E,N2E1,N2E2,N2E3,N2U,N3V	
	17211-ZL8-003	.....	1	-	-	-	-	-	-	-----	A1E7,A1E8,A1G7,A1W7,A2E7,A2E8,A2E9,A2G7,A7E1,N1E7 N1J1,N1R,N1W7,N1W8,N1W9,N2E7,N2E8,N2E9,N3U,N7A1	
	17211-ZL8-023	.....	1	-	-	-	-	-	-	2240611	A1A,A1C,A1E,A1J,A1P,A1U,A1W2,A2A,A2C,A2E,A2E4,A2R A2U,A3E,A4E,N1,N1D,N1E1,N1E2,N1U,N1W,N1W1,N1W2,N2 N2D,N2E,N2E1,N2E2,N2E3,N2U,N3V	
3	17220-ZM0-000	CASE ASSY., AIR CLEANER .....	1	-	-	-	-	-	-	-----	A1A,A1AE,A1AF,A1AS,A1C,A1E,A2A,A2A9,A2C,A2R,A3A A3E,BHH,EHHB,E1A4,E1G7,E2G7,E5A4,NBL1,N1A,N1AF,N1C N5A,N5AF,N5C,N5MF,N5R,N7A1,N7S1,RTL1,R1A,R3A1,STA1 STL1,S1A,S1A1,S1M,S3A,S3A2,S3H	
			-	1	-	-	-	-	1	-----	A1E8,A1W7,A2E8,A2E9,A2G7,A7E1,E1A2,N1E1,N1E7,N1W7 N1W8,N1W9,N2E7,N2E8,N2E9,R3A	
			-	1	-	-	-	-	-	6624355	A1E7,A1M,A2E7,BHH1,C1E,C1E1,C2E,C2E1,C3E,C3E1,C4E C4E1,N1L,N1R,N1U,N2U,N3U,N3V,S2G7,S3H2	
			-	-	-	1	1	-	-	2441541	A1E7,A1E8,A1G7,A1G9,A1P,A1W7,A2E7,A2E8,A2E9,A2G4 A2G7,A2G9,A3E7,A3E9,A3G9,A3T9,A3W7,A3W8,A4A9,A4G4 A4G7,A4G9,A7E1,N1D,N1E1,N1E2,N1E7,N1J1,N1R,N1T8 N1T9,N1W7,N1W8,N1W9,N2E7,N2E8,N2E9,N3T8,N3T9,N3W8 N3W9,S1E1,S2E,S2E1,S2E2,S2E3,S3E9,S3G9,S4E4,S4E9 S4G4,S4G9	
			-	-	-	-	1	-	-	2441541	A2A9,N7A1	
			-	-	-	-	-	1	-	6624355	A1A,A1AF,A2R,BHH,N1A,N1AF,N5AF,N5MF,N5R,N7A1,N7S1 S1A,S1M,S3A,S3H	

2

Ref. No.	Part No.	Description	Reqd. QTY								Serial No.	Parts catalogue code			
			GCV 160	GCV 160 A	GCV 160 AO	GCV 160 E	GCV 160 LE	GCV 160 LA	GCV 160	GCV 160 LAO					
(3)	17220-ZM0-010	CASE ASSY., AIR CLEANER .....	-	1	-	1	1	-	-	-	-	-----	-----	A1AW,A7H1,S1G4	
			-	1	-	-	-	-	-	-	-	6624356	-----	A1E7,A1M,A2E7,BHH1,C1E,C1E1,C2E,C2E1,C3E,C3E1,C4E,C4E1,N1L,N1R,N1U,N2U,N3U,N3V,S2G7,S3H2	
			-	-	1	-	-	-	-	1	-	-	-	-	
			-	-	-	1	1	-	-	-	-	2441542	-----	A1E7,A1E8,A1G7,A1G9,A1P,A1W7,A2E7,A2E8,A2E9,A2G4,A2G7,A2G9,A3E7,A3E9,A3G9,A3T9,A3W7,A3W8,A4A9,A4G4,A4G7,A4G9,A7E1,N1D,N1E1,N1E2,N1E7,N1J1,N1R,N1T8,N1T9,N1W7,N1W8,N1W9,N2E7,N2E8,N2E9,N3T8,N3T9,N3W8,N3W9,S1E1,S2E,S2E1,S2E2,S2E3,S3E9,S3G9,S4E4,S4E9,S4G4,S4G9	
			-	-	-	-	1	-	-	-	-	2441542	-----	A2A9,N7A1	
			-	-	-	-	-	1	-	-	-	6624356	-----	A1A,A1AF,A2R,BHH,N1A,N1AF,N5AF,N5MF,N5R,N7A1,N7S1,S1A,S1M,S3A,S3H	
5	17228-ZM0-000	PACKING, AIR CLEANER .....	1	1	1	1	1	1	1	1	1				
6	17231-ZM0-000	COVER, AIR CLEANER .....	1	-	-	-	-	-	-	-	-	-----	-----	A1J,A1U,A2U,A4E,N2D,N2E2	
			1	-	-	-	-	-	-	-	-	-----	2425659	A1A,A1C,A1E,A1E7,A1E8,A1G7,A1P,A1W2,A1W7,A2A,A2C,A2E,A2E4,A2E7,A2E8,A2E9,A2G7,A2R,A3E,A7E1,N1,N1D,N1E1,N1E2,N1E7,N1R,N1U,N1W,N1W1,N1W2,N1W7,N1W8,N1W9,N2,N2E,N2E1,N2E3,N2E7,N2E8,N2E9,N2U,N3U,N3V,N7A1	
	17231-ZM0-010	.....	1	-	-	-	-	-	-	-	-	-----	2440414	N1J1	
			1	-	-	-	-	-	-	-	-	-----	2425660	2440414	A1A,A1C,A1E,A1E7,A1E8,A1G7,A1P,A1W2,A1W7,A2A,A2C,A2E,A2E4,A2E7,A2E8,A2E9,A2G7,A2R,A3E,A7E1,N1,N1D,N1E1,N1E2,N1E7,N1R,N1U,N1W,N1W1,N1W2,N1W7,N1W8,N1W9,N2,N2E,N2E1,N2E3,N2E7,N2E8,N2E9,N2U,N3U,N3V,N7A1
	17231-ZM0-020	.....	1	-	-	-	-	-	-	-	-	-----	2440415	-----	A1A,A1C,A1E,A1E7,A1E8,A1G7,A1P,A1W2,A1W7,A2A,A2C,A2E,A2E4,A2E7,A2E8,A2E9,A2G7,A2R,A3E,A7E1,N1,N1D,N1E1,N1E2,N1E7,N1J1,N1R,N1U,N1W,N1W1,N1W2,N1W7,N1W8,N1W9,N2,N2E,N2E1,N2E3,N2E7,N2E8,N2E9,N2U,N3U,N3V,N7A1
	17231-ZOL-030	.....	-	1	1	1	1	1	1	1	1				
7	90003-ZM0-000	BOLT, FLANGE, 6X86(CT200) ...	2	-	-	-	-	-	-	-	-				
			-	2	-	2	-	-	-	-	-	-----	-----	A1A,A1AF,A1AW,A1C,A1E,A2A,A2A9,A2C,A2R,A3A,A3E,BHH,EHHB,E1A4,E1G7,E2G7,E5A4,N1A,N1AF,N1C,N5AF,N5C,N5MF,N5R,N7A1,N7S1,R1A,R3A1,STA1,S1A,S1A1,S1M,S3A,S3H	
			-	2	-	-	-	-	2	-	-	-----	-----	A1E8,A1W7,A2E8,A2E9,A2G7,A7E1,E1A2,N1E1,N1E7,N1W7,N1W8,N1W9,N2E7,N2E8,N2E9,R3A	
			-	2	-	-	-	-	-	-	-	-----	6349022	A1AE,A1AS,A1E7,A1M,A2E7,BHH1,C1E,C1E1,C2E,C2E1,C3E,C3E1,C4E,C4E1,NBL1,N1L,N1R,N1U,N2U,N3U,N3V,N5A,RTL1,STL1,S2G7,S3A2,S3H2	
			-	-	-	2	2	-	-	-	-	-----	2441644	A1E7,A1E8,A1G7,A1G9,A1P,A1W7,A2E7,A2E8,A2E9,A2G4,A2G7,A2G9,A3E7,A3E9,A3G9,A3T9,A3W7,A3W8,A4A9,A4G4,A4G7,A4G9,A7E1,N1D,N1E1,N1E2,N1E7,N1J1,N1R,N1T8,N1T9,N1W7,N1W8,N1W9,N2E7,N2E8,N2E9,N3T8,N3T9,N3W8,N3W9,S1E1,S2E,S2E1,S2E2,S2E3,S3E9,S3G9,S4E4,S4E9,S4G4,S4G9	
			-	-	-	-	2	-	-	-	-	-----	2441644	A2A9,N7A1	
			-	-	-	-	-	2	-	-	-	-----	6349022	A1A,A1AF,A2R,BHH,N1A,N1AF,N5AF,N5MF,N5R,N7A1,N7S1,S1A,S1M,S3A,S3H	



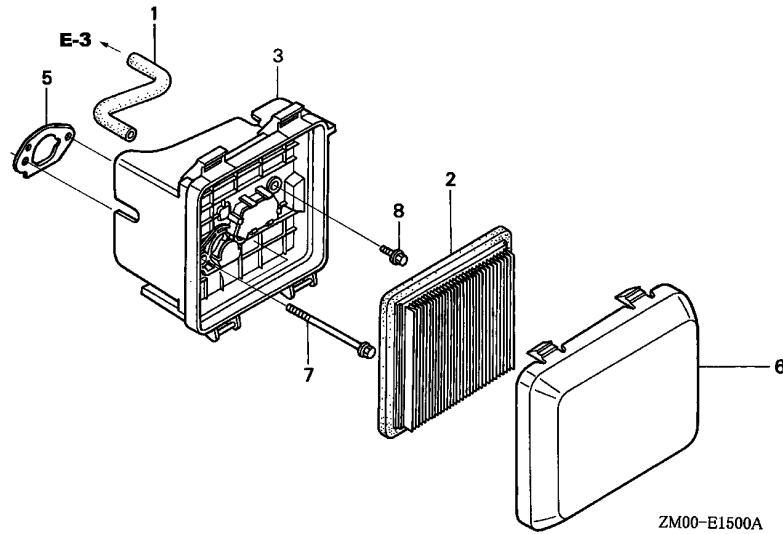




FR.

2

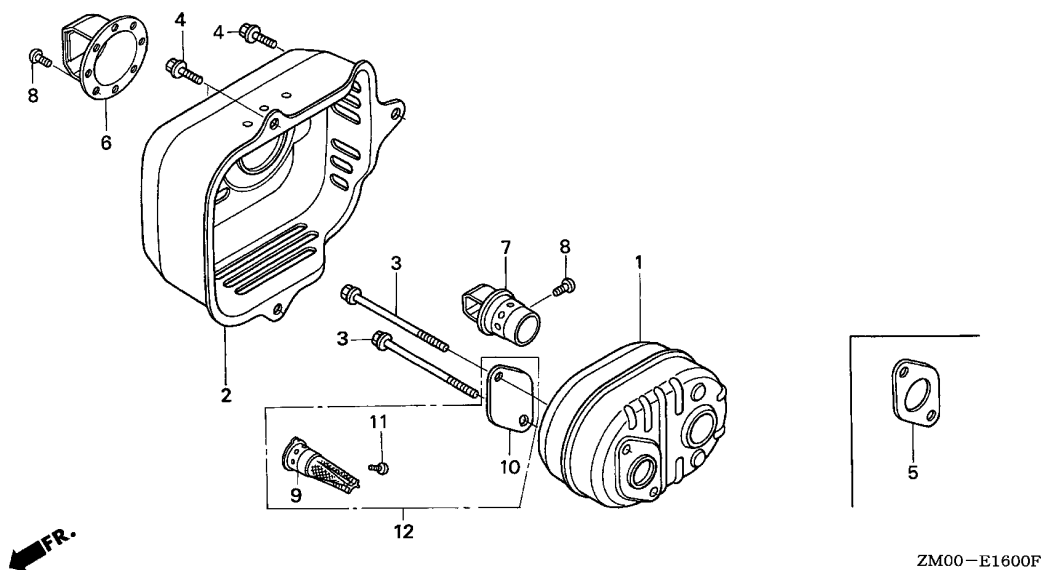
Ref. No.	Part No.	Description	Reqd. QTY								Serial No.	Parts catalogue code
			GCV 160 A	GCV 160 A0	GCV 160 E	GCV 160 LE	GCV 160 LA	GCV 160 LA0	GCV 160	GCV 160		
(7)	90003-ZM0-010	BOLT, FLANGE, 6X85(CT200) ...	-	2	-	-	-	-	-	-	6349023	----- A1AE,A1AS,A1E7,A1M,A2E7,BHH1,C1E,C1E1,C2E,C2E1,C3E C3E1,C4E,C4E1,NBL1,N1L,N1R,N1U,N2U,N3U,N3V,N5A RTL1,STL1,S2G7,S3A2,S3H2
			-	-	2	-	-	-	-	2	-----	----- A7H1,S1G4
			-	-	-	2	2	-	-	-	2441645	----- A1E7,A1E8,A1G7,A1G9,A1P,A1W7,A2E7,A2E8,A2E9,A2G4 A2G7,A2G9,A3E7,A3E9,A3G9,A3T9,A3W7,A3W8,A4A9,A4G4 A4G7,A4G9,A7E1,N1D,N1E1,N1E2,N1E7,N1J1,N1R,N1T8 N1T9,N1W7,N1W8,N1W9,N2E7,N2E8,N2E9,N3T8,N3T9,N3W8 N3W9,S1E1,S2E,S2E1,S2E2,S2E3,S3E9,S3G9,S4E4,S4E9 S4G4,S4G9
			-	-	-	-	2	-	-	-	2441645	----- A2A9,N7A1
			-	-	-	-	-	2	-	-	6349023	----- A1A,A1AF,A2R,BHH,N1A,N1AF,N5AF,N5MF,N5R,N7A1,N7S1 S1A,S1M,S3A,S3H



FR.

2

Ref. No.	Part No.	Description	Reqd. QTY								Serial No.	Parts catalogue code
			GCV 160	GCV 160 A	GCV 160 A0	GCV 160 E	GCV 160 LE	GCV 160 LA	GCV 160 LA0			
8	95701-06014-08	BOLT, FLANGE, 6X14 .....	1	-	-	-	-	-	-	-	-	A1A,A1AE,A1AF,A1AS,A1AW,A1C,A1E,A2A,A2A9,A2C,A2R,A3A,A3E,BHH,EHHB,E1A4,E1G7,E2G7,E5A4,NBL1,N1A,N1AF,N1C,N5A,N5AF,N5C,N5MF,N5R,N7A1,N7S1,RTL1,R1A,R3A1,STA1,STL1,S1A,S1A1,S1M,S3A,S3A2,S3H
			-	1	-	-	-	-	1	-	-	A1E8,A1W7,A2E8,A2E9,A2G7,A7E1,E1A2,N1E1,N1E7,N1W7,N1W8,N1W9,N2E7,N2E8,N2E9,R3A
			-	1	-	-	-	-	-	-	6624355	A1E7,A1M,A2E7,BHH1,C1E,C1E1,C2E,C2E1,C3E,C3E1,C4E,C4E1,N1L,N1R,N1U,N2U,N3U,N3V,S2G7,S3H2
			-	-	-	1	1	-	-	-	2441541	A1E7,A1E8,A1G7,A1G9,A1P,A1W7,A2E7,A2E8,A2E9,A2G4,A2G7,A2G9,A3E7,A3E9,A3G9,A3T9,A3W7,A3W8,A4A9,A4G4,A4G7,A4G9,A7E1,N1D,N1E1,N1E2,N1E7,N1J1,N1R,N1T8,N1T9,N1W7,N1W8,N1W9,N2E7,N2E8,N2E9,N3T8,N3T9,N3W8,N3W9,S1E1,S2E,S2E1,S2E2,S2E3,S3E9,S3G9,S4E4,S4E9,S4G4,S4G9
			-	-	-	-	1	-	-	-	2441541	A2A9,N7A1
			-	-	-	-	-	1	-	-	6624355	A1A,A1AF,A2R,BHH,N1A,N1AF,N5AF,N5MF,N5R,N7A1,N7S1,S1A,S1M,S3A,S3H



Ref. No.	L.O.N.	(Relative ref. Number) Description	F.R.T.
1	3131C5	MUFFLER, EXHAUST .....	0.2
2	3131D6	PROTECTOR, EXHAUST MUFFLER ...	0.1
5	3131B4	GASKET, EXHAUST MUFFLER .....	0.2
7	3131A8	DEFLECTOR, EXHAUST MUFFLER ...	0.1
9	3131A1	ARRESTER, SPARK .....	0.1
		.INCLUDES: Spark arrester check	
12	3131A0	ARRESTER KIT, SPARK .....	0.1

Ref. No.	Part No.	Description	Reqd. QTY								Serial No.	Parts catalogue code
			GCV 160	GCV 160 A	GCV 160 AO	GCV 160 E	GCV 160 LE	GCV 160 LA	GCV 160 LA0			
1	18310-ZM0-000	MUFFLER COMP. ....	1	-	-	1	1	-	-	-	-	A1AE, A1AF, A1AS, A1C, A1E, A1M, A2E7, A2R, BHH, BHH1, C1E, C1E1, C2E, C2E1, C3E, C3E1, C4E, C4E1, E1A2, E2G7, N1A, N1AF, N1L, N5AF, N5MF, N7A1, N7S1, R3A, S1A, S1M, S2G7, S3A, S3H2
			-	1	1	-	-	-	-	-	-	A1A, A1E7, A1E8, A1W7, A2A, A2C, A2E8, A2E9, A2G7, A3A, A3E, A7E1, EHHB, E1A4, E1G7, E5A4, NBL1, N1C, N1E1, N1E7, N1W7, N1W8, N1W9, N2E7, N2E8, N2E9, N5A, N5C, N5R, RTL1, R1A, R3A1, STA1, STL1, S1A1, S3A2, S3H
			-	1	-	-	-	-	-	-	-	N1R, N1U, N2U, N3U, N3V
	18310-Z0Y-000	.....	-	1	1	-	-	-	-	-	-	A1AW
2	18321-ZL8-A00	PROTECTOR, MUFFLER (BLACK) ..	1	-	-	1	-	-	-	-	-	A1A, N1R, N1U, N2U, N3U, N3V, N5R, S3H
			-	1	-	-	-	-	-	-	-	A1P
	18321-ZL8-000	PROTECTOR, MUFFLER .....	1	-	-	1	1	-	-	-	-	2307311 A1AE, BHH, S3A
			-	-	-	-	-	-	-	-	-	A1A, A1C, A1E, A1E7, A1E8, A1G7, A1G9, A1J, A1U, A1W2, A1W7, A2A, A2A9, A2C, A2E, A2E4, A2E7, A2E8, A2E9, A2G4, A2G7, A2G9, A2R, A2U, A3E, A3E7, A3E9, A3G9, A3T9, A3W7, A3W8, A4A9, A4E, A4G4, A4G7, A4G9, N1, N1D, N1E1, N1E2, N1E7, N1J1, N1R, N1T8, N1T9, N1U, N1W, N1W1, N1W2, N1W7, N1W8, N1W9, N2, N2D, N2E, N2E1, N2E2, N2E3, N2E7, N2E8, N2E9, N2U, N3T8, N3T9, N3U, N3V, N3W9, S1E1, S1G4, S2E, S2E1, S2E2, S2E3, S3E9, S3G9, S4E4, S4E9, S4G4, S4G9
	18320-Z0M-780	PROTECTOR COMP., MUFFLER ....	1	1	-	1	1	1	1	-	-	A7E1, A7H1, N7A1, N7S1
	18321-Z0L-J00	PROTECTOR, MUFFLER .....	-	1	1	-	-	-	-	-	-	BHH1, EHHB, NBL1, RTL1, R3A, STA1, STL1, S1M, S3H, S3H2
			-	1	-	-	-	-	-	-	-	2307312 A1AE, BHH, S3A
			-	-	-	-	-	1	1	-	-	BHH, S3A

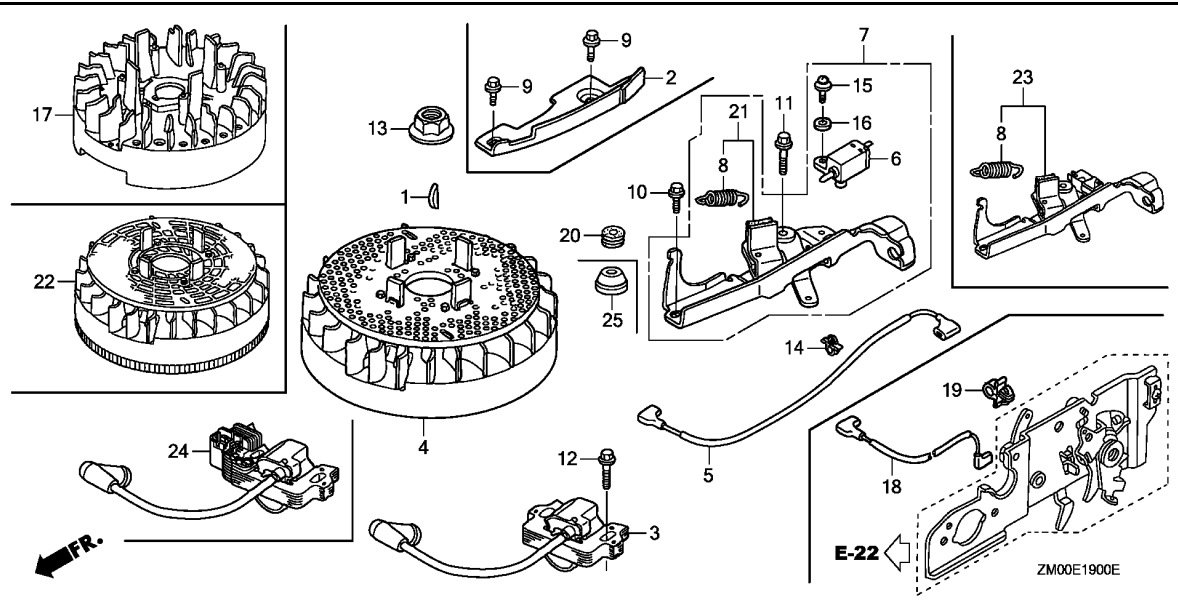
Ref. No.	Part No.	Description	Reqd. QTY								Serial No.	Parts catalogue code
			GCV 160	GCV 160 A	GCV 160 A0	GCV 160 E	GCV 160 LE	GCV 160 LA	GCV 160 LA0			
(2)	18321-ZOL-000	PROTECTOR, MUFFLER .....	-	1	1	-	-	1	1	-----	-----	A1A,A1AF,A1AS,A1AW,A1C,A1E,A1E7,A1E8,A1M,A1W7,A2A A2C,A2E7,A2E8,A2E9,A2G7,A2R,A3A,A3E,C1E,C1E1,C2E C2E1,C3E,C3E1,C4E,C4E1,E1A2,E1A4,E1G7,E2G7,E5A4 N1A,N1AF,N1C,N1E1,N1E7,N1L,N1R,N1U,N1W7,N1W8,N1W9 N2E7,N2E8,N2E9,N2U,N3U,N3V,N5A,N5AF,N5C,N5MF,N5R R1A,R3A1,S1A,S1A1,S2G7,S3A2
3	90004-ZL8-000	BOLT, FLANGE, 6X79(CT200) ...	2	2	2	2	2	2	2			
4	90013-883-000	BOLT, FLANGE, 6X12(CT200) ...	3	3	3	3	3	3	3			
5	18381-ZL8-305	GASKET, MUFFLER .....	(1)	(1)	(1)	(1)	(1)	(1)	(1)			
6	18348-ZL8-000	CAP, MUFFLER .....	1	1	-	1	-	-	-	-----	-----	N1E1,N2E1,N2E3,N2E8,N2E9 N5MF
7	18430-ZL8-000	DEFLECTOR COMP., MUFFLER .....	1	1	-	1	-	-	-	-----	-----	N1E1,N2E1,N2E3,N2E8,N2E9
8	90055-ZE1-000	SCREW, TAPPING, 4X6 .....	4	4	-	4	-	-	-	-----	-----	N1E1,N2E1,N2E3,N2E8,N2E9 N5MF
9	18350-ZL8-000	ARRESTER COMP., SPARK .....	1	1	-	1	-	-	-	-----	-----	A1E8,A2E8,A3T9,A3W7,A3W8,N1T8,N1T9,N3T8,N3T9,N3W8 N3W9 A1A,A1AE,A1AF,A1AS,A1AW,A1C,A1M,A2A,A2A9,A2C,A2R A3A,BHH,EHHB,E1A2,E1A4,E5A4,NBL1,N1A,N1AF,N1C,N1L N5A,N5AF,N5C,N5MF,N5R,N7A1,N7S1,RTL1,R1A,R3A,R3A1 STA1,STL1,S1A,S1A1,S1M,S3A,S3A2,S3H,S3H2
			(1)	(1)	(1)	(1)	-	-	-	-----	-----	
10	18356-ZL8-000	PLATE, ARRESTER NUMBER .....	(1)	(1)	(1)	(1)	-	-	-	-----	-----	A1A,A1AE,A1AF,A1AS,A1AW,A1C,A1M,A2A,A2A9,A2C,A2R A3A,BHH,EHHB,E1A2,E1A4,E5A4,NBL1,N1A,N1AF,N1C,N1L N5A,N5AF,N5C,N5MF,N5R,N7A1,N7S1,RTL1,R1A,R3A,R3A1 STA1,STL1,S1A,S1A1,S1M,S3A,S3A2,S3H,S3H2
			-	-	-	-	(1)	(1)	(1)			
11	90055-ZE1-000	SCREW, TAPPING, 4X6 .....	1	1	-	1	-	-	-	-----	-----	A1E8,A2E8,A3T9,A3W7,A3W8,N1T8,N1T9,N3T8,N3T9,N3W8 N3W9 A1A,A1AE,A1AF,A1AS,A1AW,A1C,A1M,A2A,A2A9,A2C,A2R A3A,BHH,EHHB,E1A2,E1A4,E5A4,NBL1,N1A,N1AF,N1C,N1L N5A,N5AF,N5C,N5MF,N5R,N7A1,N7S1,RTL1,R1A,R3A,R3A1 STA1,STL1,S1A,S1A1,S1M,S3A,S3A2,S3H,S3H2
			(1)	(1)	(1)	(1)	-	-	-	-----	-----	
12	06180-ZOJ-000	ARRESTER KIT, SPARK .....	-	(1)	(1)	-	-	-	-	-----	-----	A1A,A1AE,A1AF,A1AS,A1AW,A2A,A2R,A3A,BHH,EHHB,E1A2 E1A4,E5A4,NBL1,N1A,N1AF,N1C,N5A,N5AF,N5C,N5MF,N5R N7A1,N7S1,RTL1,R1A,R3A,R3A1,STA1,STL1,S1A,S1A1,S1M S3A,S3A2,S3H
			-	-	-	-	(1)	(1)				
			-	-	-	-	(1)	(1)				



E-19

FLYWHEEL(1)

H 3



Ref. No.	L.O.N.	(Relative ref. Number) Description	F.R.T.
2	1121A7	PLATE, SIDE .....	0.2
3		(24)	
4	6141A5	COIL, IGNITION(ONE) .....	0.2
5	2161B5	FLYWHEEL .....	0.3
6	6111B3	CORD, STOP SWITCH .....	0.1
7	6151D9	SWITCH, ENGINE STOP .....	0.2
8	6141A0	BRAKE ASSEMBLY, ENGINE STOP ..	0.3
	4151E0	SPRING, BRAKE LEVER .....	0.2

2

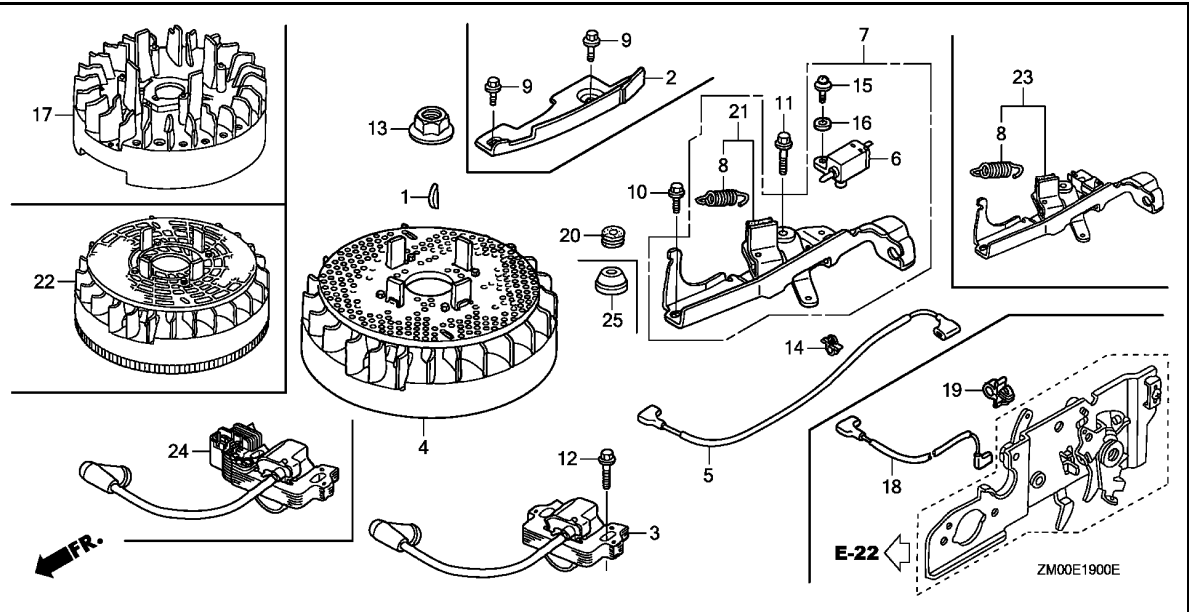
Ref. No.	Part No.	Description	Reqd. QTY							Serial No.	Parts catalogue code
			GCV 160	GCV 160 A	GCV 160 AO	GCV 160 E	GCV 160 LE	GCV 160 LA	GCV 160 LA0		
1	13331-357-000	KEY, SPECIAL WOODRUFF, 25X18	1	-	-	1	1	-	-	-----	A1A,A1AE,A1AF,A1AS,A1AW,A1C,A1E,A1E7,A1E8,A1M,A1W7 A2A,A2C,A2E7,A2E8,A2E9,A2G7,A3A,A3E,A7E1,C1E,C1E1 C2E,C2E1,C3E,C3E1,C4E,C4E1,EHBB,E1A2,E1A4,E1G7 E2G7,E5A4,N1C,N1E1,N1E7,N1R,N1U,N1W7,N1W8,N1W9 N2E7,N2E8,N2E9,N2U,N3U,N3V,N5A,N5C,N7A1,N7S1,RTL1 R1A,R3A,R3A1,STA1,S1A,S1A1,S1M,S2G7,S3A,S3A2,S3H S3H2
2	19612-ZM0-000	PLATE, SIDE .....	-	1	-	-	-	-	1	-----	A2R,BHH,BHH1,N1A,N1AF,N1L,N5AF,N5MF,N5R 6702082 A2R,BHH,N1A,N1AF,N5AF,N5MF,N5R N2D
	19612-ZM0-J20	.....	1	-	-	1	1	-	-	-----	2340423 A2R,N1D,N1U,N2U,N3U,N3V 1360691 A2R,N1A,N1C,N1U,N2U,N3V,N5A,N5C
	19612-Z0L-000	.....	-	1	-	1	-	-	-	-----	5008780 N1E1,N1E2,N1E7,N1J1,N1R,N1W,N1W1,N1W2,N1W7,N1W8 N1W9,N2E,N2E1,N2E2,N2E3,N2E7,N2E8,N2E9,N7A1 2340424 A2R,N1D,N1U,N2U,N3U,N3V 5008780 BHH1,N1D,N1T8,N1T9,N3T8,N3T9,N3W8,N3W9 5008780 BHH,N1AF,N1E1,N1E7,N1L,N1R,N1W7,N1W8,N1W9,N2E7 N2E8,N2E9,N3U,N5AF,N7A1,N7S1
			-	1	-	-	-	-	-	-----	1360692 5008780 A2R,N1A,N1C,N1U,N2U,N3V,N5A,N5C A2R
			-	1	-	1	-	-	-	-----	5008781 EHBB,N5MF,N5R,S1G4 A2R,BHH,N1A,N1AF,N1C,N1E1,N1E7,N1L,N1R,N1U,N1W7 N1W8,N1W9,N2E7,N2E8,N2E9,N2U,N3U,N3V,N5A,N5AF,N5C N7A1,N7S1
			-	-	1	-	-	1	1	-----	N1R,N1U,N2U,N3U,N3V,N7A1,N7S1

Ref. No.	Part No.	Description	Reqd. QTY								Serial No.	Parts catalogue code
			GCV 160	GCV 160 A	GCV 160 AO	GCV 160 E	GCV 160 LE	GCV 160 LA	GCV 160 LAO			
3	30500-Z0J-003	COIL ASSY., IGNITION (PHELON) (USE FOR F/W OF PHELON)	-	1	1	-	-	-	-	-	-	A2R,BHH,E2G7,E5A4,N1A,N1AF,N1C,N1E1,N1E7,N1W7,N1W8,N1W9,N2E7,N2E8,N2E9,N5A,N5AF,N5C,N5MF,N5R,RTL1,R1A,R3A1
			-	1	-	-	-	-	1	1	-	BHH1,EHHB,E1A2,E1A4,E1G7,N1L,R3A
			-	1	-	-	-	-	-	-	3092797	A1A,A1AE,A1AF,A1AS,A1C,A1E,A1E7,A1E8,A1W7,A2A,A2C,A2E7,A2E8,A2E9,A2G7,A3A,A3E,A7E1,N1R,N1U,N2U,N3U,N3V,N7A1,STA1,S1A,S1A1,S3A
	30500-ZL8-004	COIL ASSY., IGNITION (TEC) (USE FOR F/W OF TEC)	-	-	-	-	-	-	1	-	6702082	A2R,BHH,N1A,N1AF,N5AF,N5MF,N5R
			1	-	-	-	-	-	-	-		
			-	1	-	-	-	-	-	-	3092798	A1M,N7S1,S1M,S2G7,S3A2,S3H,S3H2
			-	1	-	-	-	-	-	-		A1A,A1AE,A1AF,A1AS,A1C,A1E,A1E7,A1E8,A1W7,A2A,A2C,A2E7,A2E8,A2E9,A2G7,A3A,A3E,A7E1,N1R,N1U,N2U,N3U,N3V,N7A1,STA1,S1A,S1A1,S3A
			-	-	-	1	1	-	-	-	2250209	A1E7,A1E8,A1G7,A1G9,A1P,A1W7,A2E7,A2E8,A2E9,A2G4,A2G7,A2G9,A2R,A3E7,A3E9,A3T9,A3W7,A3W8,A7E1,N1D,N1E1,N1E2,N1E7,N1J1,N1R,N1T8,N1T9,N1W7,N1W8,N1W9,N2E7,N2E8,N2E9,N3T8,N3T9,N3W8,N3W9,N7A1,S1E1,S2E1,S2E3
			-	-	-	1	-	1	-	-		A1A,A1AF,A2A9,S1A,S3A
			-	-	-	-	-	1	-	-	2250209	A2A9
			-	-	-	-	-	1	-	-		N7A1
	30500-ZL8-014	.....	-	1	1	1	-	-	-	-		A1AW,A3G9,A4G4,A4G7,A4G9,S1G4,S2E2,S3E9,S3G9,S4E4,S4E9,S4G4,S4G9
			-	-	1	-	1	-	1	-		A1A,A1AF,A1E7,A1M,A2E7,A4A9,A7H1,N1R,N1U,N2U,N3U,N3V,N7S1,S1A,S1M,S2G7,S3A,S3H,S3H2
			-	-	-	1	1	-	-	2250210		A1E7,A1E8,A1G7,A1G9,A1P,A1W7,A2E7,A2E8,A2E9,A2G4,A2G7,A2G9,A2R,A3E7,A3E9,A3T9,A3W7,A3W8,A7E1,N1D,N1E1,N1E2,N1E7,N1J1,N1R,N1T8,N1T9,N1W7,N1W8,N1W9,N2E7,N2E8,N2E9,N3T8,N3T9,N3W8,N3W9,N7A1,S1E1,S2E1,S2E3
			-	-	-	-	1	-	-	2250210		A2A9
			-	-	-	-	-	-	1	-		N7A1
4	31105-ZL8-000	FLYWHEEL ASSY. (TEC) (USE FOR IGN. COIL OF TEC)	1	-	-	1	-	-	-	-		N1T8,N1T9,N1W,N1W1,N1W2,N1W7,N1W8,N1W9,N3T8,N3T9,N3W8,N3W9,S1G4
	31105-Z0J-010	FLYWHEEL ASSY. (PHELON) (USE FOR IGN. COIL OF PHELON)	-	1	-	-	-	-	-	-		BHH,BHH1,N1W7,N1W8,N1W9
	31105-Z0L-010	.....	-	1	-	-	-	-	-	-	6702082	BHH
			-	1	-	-	-	-	-	-	3092797	A1A,A1AE,A1AF,A1AS,A1C,A1E,A1E7,A1E8,A1W7,A2A,A2C,A2E7,A2E8,A2E9,A2G7,A3A,A3E,A7E1,N1R,N1U,N2U,N3U,N3V,N7A1,STA1,S1A,S1A1,S3A
	31105-ZM0-000	FLYWHEEL ASSY. (TEC) (USE FOR IGN. COIL OF TEC)	1	-	1	1	-	1	1	-		A1A,A1AF,A1C,A1E,A1E7,A1E8,A1G7,A1G9,A1J,A1P,A1U,A1W2,A1W7,A2A,A2A9,A2C,A2E,A2E4,A2E7,A2E8,A2E9,A2G4,A2G7,A2G9,A2U,A3E,A3E7,A3E9,A3G9,A3T9,A3W7,A3W8,A4E,A4G4,A4G7,A4G9,A7E1,N1,N1D,N1J1,N1R,N1U,N2,N2D,N2U,N3U,N3V,N7A1,S1A,S1E1,S2E,S2E1,S2E2,S2E3,S3A,S3E9,S3G9,S4E4,S4E9,S4G4,S4G9
			-	1	1	-	-	1	1	-		A1AW,A1M,N7S1,S1M,S2G7,S3A2,S3H,S3H2
			-	1	-	-	-	-	-	3092798		A1A,A1AE,A1AF,A1AS,A1C,A1E,A1E7,A1E8,A1W7,A2A,A2C,A2E7,A2E8,A2E9,A2G7,A3A,A3E,A7E1,N1R,N1U,N2U,N3U,N3V,N7A1,STA1,S1A,S1A1,S3A
			-	-	-	-	1	-	-	-		



E-19

FLYWHEEL(1)



Ref. No.	Part No.	Description	Reqd. QTY								Serial No.	Parts catalogue code
			GCV 160	GCV 160 A	GCV 160 AO	GCV 160 E	GCV 160 LE	GCV 160 LA	GCV 160 LA0			
5	32195-ZM0-000	CORD, STOP SWITCH .....	1	1	-	1	1	-	-	-	-	A1A,A1G7,A1G9,A1J,A1P,A1U,A1W2,A2A9,A2E,A2E4,A2G4,A2G9,A2U,A3E7,A3E9,A3G9,A3T9,A3W7,A3W8,A4A9,A4E,A4G4,A4G7,A4G9,A7H1,N1,N2,S2E2,S2E3,S3E9,S3G9,S4E4,S4E9,S4G4,S4G9
	32195-ZM0-800	.....	1	1	1	-	-	-	-	-	-	A1C,A1E,A1E7,A1E8,A1W7,A2A,A2C,A2E7,A2E8,A2E9,A2G7,A3E,A7E1
	32195-Z0L-000	.....	-	1	1	-	-	1	1	-	-	A2R,N1C,N5A,N5C,STA1,S1A1,S3H2
			-	-	-	-	-	-	1	1	-	S1A,S1E1,S2E,S2E1,S3A
			-	-	-	-	-	-	1	1	-	A1AE,A1AF,A1AS,A1AW,A1C,A1E,A1E7,A1E8,A1M,A1W7,A2C,A2E7,A2E8,A2E9,A2G7,A3A,A3E,A7E1,S1M,S2G7,S3A2,S3H,A1A
6	35120-ZM0-003	SWITCH ASSY., ENGINE STOP (N.C)	1	1	1	1	1	1	1	-	-	A1A,A1AE,A1AF,A1AS,A1AW,A1C,A1E,A1E7,A1E8,A1G7,A1G9,A1J,A1M,A1P,A1U,A1W2,A1W7,A2A,A2A9,A2C,A2E,A2E4,A2E7,A2E8,A2E9,A2G4,A2G7,A2G9,A2U,A3A,A3E,A3E7,A3E9,A3G9,A3T9,A3W7,A3W8,A4A9,A4E,A4G4,A4G7,A4G9,A7E1,A7H1,N1,N2,STA1,S1A,S1A1,S1E1,S1M,S2E,S2E1,S2E2,S2E3,S2G7,S3A,S3A2,S3E9,S3G9,S3H,S3H2,S4E4,S4E9,S4G4,S4G9
7	75100-ZM0-000	BRAKE ASSY. ....	1	1	1	1	1	-	-	-	-	A1A,A1AE,A1AF,A1AS,A1AW,A1C,A1E,A1E8,A1G7,A1G9,A1J,A1P,A1U,A1W2,A1W7,A2A,A2A9,A2C,A2E,A2E4,A2E8,A2E9,A2G4,A2G7,A2G9,A2U,A3A,A3E,A3E7,A3E9,A3G9,A3T9,A3W7,A3W8,A4A9,A4E,A4G4,A4G7,A4G9,A7E1,A7H1,N1,N2,S1M,S2E2,S2E3,S3A2,S3E9,S3G9,S3H,S4E4,S4E9,S4G4,S4G9
			1	-	-	1	-	-	-	-	-	A1E7,A2E7
			-	1	-	-	-	-	-	-	-	7132770 A1E7,A1M,A2E7,S2G7
			-	-	-	-	-	1	-	-	-	7132770 A1A,A1AF,S1M,S3H

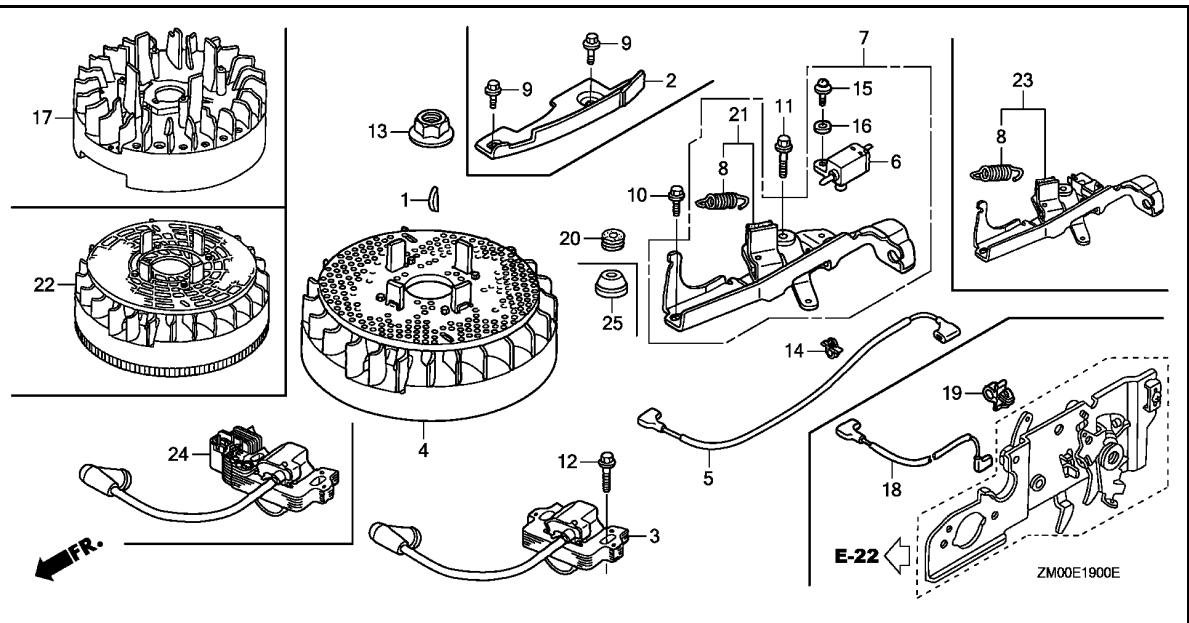
Ref. No.	Part No.	Description	Reqd. QTY								Serial No.	Parts catalogue code	
			GCV 160	GCV 160 A	GCV 160 A0	GCV 160 E	GCV 160 LE	GCV 160 LA	GCV 160 LA0				
(7) 8	75100-ZOL-900 75113-ZMO-000	BRAKE ASSY. .... SPRING, BRAKE LEVER .....	-	-	1	-	-	-	1	-----	-----	A1A,A1AF,A1E7,A1M,A2E7,S1M,S2G7,S3H A1A,A1AE,A1AF,A1AS,A1AW,A1C,A1E,A1E7,A1E8,A1G7 A1G9,A1J,A1M,A1P,A1U,A1W2,A1W7,A2A,A2A9,A2C,A2E A2E4,A2E7,A2E8,A2E9,A2G4,A2G7,A2G9,A2U,A3A,A3E A3E7,A3E9,A3G9,A3T9,A3W7,A3W8,A4A9,A4E,A4G4,A4G7 A4G9,A7E1,A7H1,C1E,C1E1,C2E,C2E1,C3E,C3E1,C4E,C4E1 E1A2,E1G7,E2G7,N1,N2,RTL1,R1A,R3A,R3A1,STA1,S1A S1A1,S1E1,S1M,S2E,S2E1,S2E2,S2E3,S2G7,S3A,S3A2 S3E9,S3G9,S3H,S3H2,S4E4,S4E9,S4G4,S4G9 BHH,N1E1,N1E7,N1R,N1U,N1W7,N1W8,N1W9,N2E7,N2E8 N2E9,N2U,N3U,N3V N7A1,N7S1 A2R,BHH1,EHBB,N1A,N1AF,N1C,N1D,N1E2,N1J1,N1L,N1T8 N1T9,N1W,N1W1,N1W2,N2D,N2E,N2E1,N2E2,N2E3,N3T8 N3T9,N3W8,N3W9,N5A,N5AF,N5C,N5MF,N5R,S1G4 A2R,BHH,N1A,N1AF,N5AF,N5MF,N5R	
9	90013-883-000	BOLT, FLANGE, 6X12(CT200) ...	2	2	2	2	-	-	-	-----	-----	6702082	A1A,A1AE,A1AF,A1AS,A1AW,A1C,A1E,A1E7,A1E8,A1G7 A1G9,A1J,A1M,A1P,A1U,A1W2,A1W7,A2A,A2A9,A2C,A2E A2E4,A2E7,A2E8,A2E9,A2G4,A2G7,A2G9,A2U,A3A,A3E A3E7,A3E9,A3G9,A3T9,A3W7,A3W8,A4A9,A4E,A4G4,A4G7 A4G9,A7E1,A7H1,C1E,C1E1,C2E,C2E1,C3E,C3E1,C4E,C4E1 E1A2,E1G7,E2G7,N1,N2,RTL1,R1A,R3A,R3A1,STA1,S1A S1A1,S1E1,S1M,S2E,S2E1,S2E2,S2E3,S2G7,S3A,S3A2 S3E9,S3G9,S3H,S3H2,S4E4,S4E9,S4G4,S4G9
10	90014-952-000	BOLT, FLANGE, 6X14(CT200) ...	1	1	1	1	1	1	1	-----	-----	6702082	A1A,A1AE,A1AF,A1AS,A1AW,A1C,A1E,A1E7,A1E8,A1G7 A1G9,A1J,A1M,A1P,A1U,A1W2,A1W7,A2A,A2A9,A2C,A2E A2E4,A2E7,A2E8,A2E9,A2G4,A2G7,A2G9,A2U,A3A,A3E A3E7,A3E9,A3G9,A3T9,A3W7,A3W8,A4A9,A4E,A4G4,A4G7 A4G9,A7E1,A7H1,C1E,C1E1,C2E,C2E1,C3E,C3E1,C4E,C4E1 E1A2,E1G7,E2G7,N1,N2,RTL1,R1A,R3A,R3A1,STA1,S1A S1A1,S1E1,S1M,S2E,S2E1,S2E2,S2E3,S2G7,S3A,S3A2 S3E9,S3G9,S3H,S3H2,S4E4,S4E9,S4G4,S4G9
11	90002-ZOL-820 90018-ZE1-000	BOLT, FLANGE, 6X23(CT200) ... .....	-	1	1	-	-	1	1	-----	-----	6702082	C1E,C1E1,C2E,C2E1,C3E,C3E1,C4E,C4E1,E1A2,E1G7,E2G7 RTL1,R1A,R3A,R3A1 A1A,A1AE,A1AF,A1AS,A1AW,A1C,A1E,A1E7,A1E8,A1G7 A1G9,A1J,A1M,A1P,A1U,A1W2,A1W7,A2A,A2A9,A2C,A2E A2E4,A2E7,A2E8,A2E9,A2G4,A2G7,A2G9,A2U,A3A,A3E A3E7,A3E9,A3G9,A3T9,A3W7,A3W8,A4A9,A4E,A4G4,A4G7 A4G9,A7E1,A7H1,N1,N2,STA1,S1A,S1A1,S1E1,S1M,S2E S2E1,S2E2,S2E3,S2G7,S3A,S3A2,S3E9,S3G9,S3H,S3H2 S4E4,S4E9,S4G4,S4G9
12	90022-888-010 90018-ZE1-000	BOLT, FLANGE, 6X20(CT200) ... .....	1	-	-	1	1	-	-	-----	-----	6702082	A1A,A1AE,A1AF,A1AS,A1AW,A1C,A1E,A1E7,A1E8,A1M,A1W7 A2A,A2C,A2E7,A2E8,A2E9,A2G7,A2R,A3A,A3E,A7E1,BHH BHH1,C1E,C1E1,C2E,C2E1,C3E,C3E1,C4E,C4E1,EHBB,E1A2 E1A4,E1G7,E2G7,E5A4,N1A,N1AF,N1C,N1E1,N1E7,N1L,N1R N1U,N1W7,N1W8,N1W9,N2E7,N2E8,N2E9,N2U,N3U,N3V,N5A N5AF,N5C,N5MF,N5R,N7A1,N7S1,RTL1,R1A,R3A,R3A1,STA1 S1A,S1A1,S1M,S2G7,S3A,S3A2,S3H,S3H2
	90018-ZE1-000	BOLT, FLANGE, 6X23(CT200) ...	-	-	1	-	-	-	1	-----	-----	6702083	A1A,A1AF,A1AW,A1E7,A1M,A2E7,C1E,C1E1,C2E,C2E1,C3E C3E1,C4E,C4E1,E1A2,E2G7,N1R,N1U,N2U,N3U,N3V,N7A1 N7S1,R3A,S1A,S1M,S2G7,S3A,S3H,S3H2 A1A,A1AF,E1A2,N7A1,N7S1,R3A,S1A,S1M,S3A,S3H





E-19

FLYWHEEL(1)

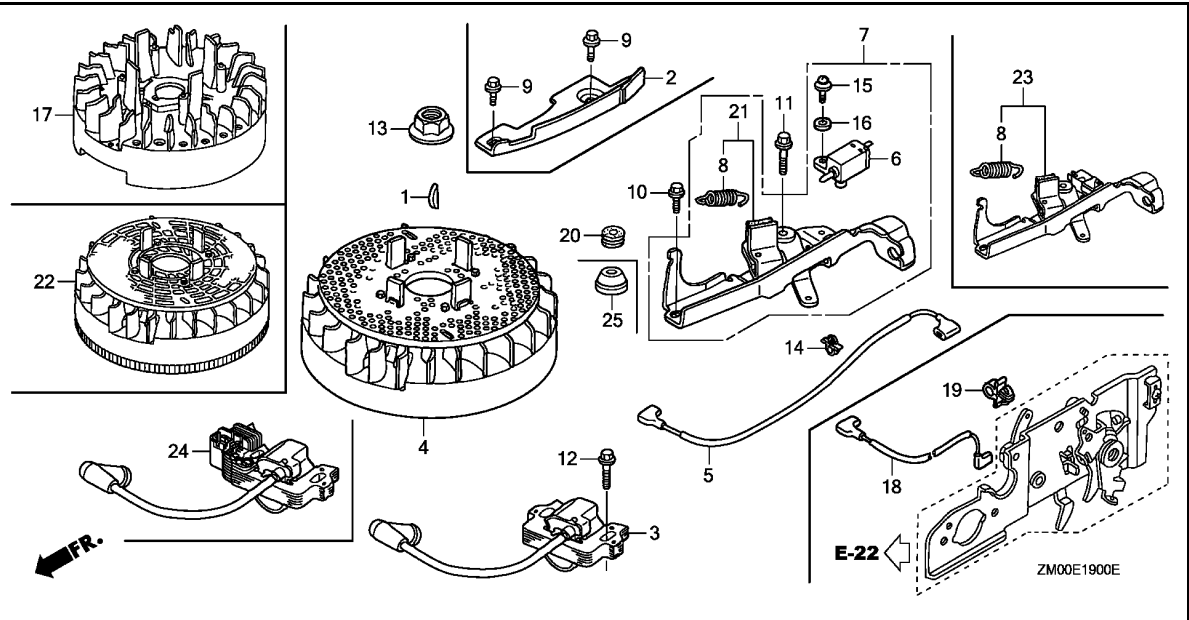


Ref. No.	Part No.	Description	Reqd. QTY								Serial No.	Parts catalogue code									
			GCV 160	GCV 160 A	GCV 160 A0	GCV 160 E	GCV 160 LE	GCV 160 LA	GCV 160 LA0	GCV 160											
13	90201-878-003	NUT, SPECIAL, 14MM	1	-	-	-	-	-	-	-	-	A1A,A1AE,A1AF,A1AS,A1C,A1E,A1E7,A1E8,A1G7,A1G9,A1M A1P,A1W7,A2A,A2A9,A2C,A2E7,A2E8,A2E9,A2G4,A2G7 A2G9,A3A,A3E,A3E7,A3E9,A3G9,A3T9,A3W7,A3W8,A4A9 A4G4,A4G7,A4G9,A7E1,BHH1,C1E,C1E1,C2E,C2E1,C3E C3E1,C4E,C4E1,EHHB,E1A2,E1A4,E1G7,E2G7,E5A4,N1C N1D,N1E1,N1E2,N1E7,N1J1,N1L,N1R,N1T8,N1T9,N1U,N1W7 N1W8,N1W9,N2E7,N2E8,N2E9,N2U,N3T8,N3T9,N3U,N3V N3W8,N3W9,N5A,N5C,N7A1,N7S1,RTL1,R1A,R3A,R3A1,STA1 S1A,S1A1,S1E1,S1M,S2E,S2E1,S2E2,S2E3,S2G7,S3A,S3A2 S3E9,S3G9,S3H,S3H2,S4E4,S4E9,S4G4,S4G9 A2R,BHH,N1A,N1AF,N5AF,N5MF,N5R 6702082 A2R,BHH,N1A,N1AF,N5AF,N5MF,N5R A1AW,S1G4 A1A,A1AF,A1E7,A1M,A2E7,A7H1,C1E,C1E1,C2E,C2E1,C3E C3E1,C4E,C4E1,E1A2,E2G7,N1R,N1U,N2U,N3U,N3V,N7S1 R3A,S1A,S1M,S2G7,S3A,S3H,S3H2 N7A1	-	1	-	1	1	1	-	-	
	90201-Z0T-800		-	1	1	1	-	-	-	-	-	A1A,A1AF,A1E7,A1M,A2E7,A7H1,C1E,C1E1,C2E,C2E1,C3E C3E1,C4E,C4E1,E1A2,E2G7,N1R,N1U,N2U,N3U,N3V,N7S1 R3A,S1A,S1M,S2G7,S3A,S3H,S3H2 N7A1	-	-	-	-	-	-	-	-	
14	90681-959-003	CLIP A, CABLE (NIFCO) (3.8MM BLACK)	1	1	1	1	1	1	1	1	1	A1A,A1AE,A1AF,A1AS,A1AW,A1C,A1E,A1E7,A1E8,A1G7 A1G9,A1J,A1M,A1P,A1U,A1W2,A1W7,A2A,A2A9,A2C,A2E A2E4,A2E7,A2E8,A2E9,A2G4,A2G7,A2G9,A2U,A3A,A3E A3E7,A3E9,A3G9,A3T9,A4A9,A4E,A4G4,A4G7,A4G9,A7E1 A7H1,E1G7,N1,N1C,N2,N5A,N5C,R1A,R3A1,STA1,S1A,S1A1 S1E1,S1M,S2E,S2E1,S2E2,S2E3,S2G7,S3A,S3A2,S3E9 S3G9,S3H,S3H2,S4E4,S4E9,S4G4,S4G9 A2R,E2G7,N1A,R3A A1AW,A1E,A1M,A3E,S1M,S2G7,S3A2,S3H,S3H2 A1A,A1AF,A1E7,A2E7,S1A,S3A	-	-	-	-	-	-	-	-	-
	51125-Z0L-003	HOLDER, WIRE (FASTEX)	1	1	-	-	-	-	-	-	-	A1AW,A1E,A1M,A3E,S1M,S2G7,S3A2,S3H,S3H2 A1A,A1AF,A1E7,A2E7,S1A,S3A	-	1	1	-	-	1	1		



Ref. No.	Part No.	Description	Reqd. QTY								Serial No.	Parts catalogue code
			GCV 160	GCV 160 A	GCV 160 A0	GCV 160 E	GCV 160 LE	GCV 160 LA	GCV 160 LA0			
15	93892-04012-00	SCREW-WASHER, 4X12	1	1	1	1	1	1	1	1	-----	A1A,A1AE,A1AF,A1AS,A1AW,A1C,A1E,A1E7,A1E8,A1G7,A1G9,A1J,A1M,A1P,A1U,A1W2,A1W7,A2A,A2A9,A2C,A2E,A2E4,A2E7,A2E8,A2E9,A2G4,A2G7,A2G9,A2U,A3A,A3E,A3E7,A3E9,A3G9,A3T9,A3W7,A3W8,A4A9,A4E,A4G4,A4G7,A4G9,A7E1,A7H1,N1,N2,STA1,S1A,S1A1,S1E1,S1M,S2E,S2E1,S2E2,S2E3,S2G7,S3A,S3A2,S3E9,S3G9,S3H,S3H2,S4E4,S4E9,S4G4,S4G9
			-	-	1	-	-	-	1	-----	N1R,N7A1,N7S1	
16	94103-04000	WASHER, PLAIN, 4MM	1	1	1	1	1	1	1	1	-----	A1A,A1AE,A1AF,A1AS,A1AW,A1C,A1E,A1E7,A1E8,A1G7,A1G9,A1J,A1M,A1P,A1U,A1W2,A1W7,A2A,A2A9,A2C,A2E,A2E4,A2E7,A2E8,A2E9,A2G4,A2G7,A2G9,A2U,A3A,A3E,A3E7,A3E9,A3G9,A3T9,A3W7,A3W8,A4A9,A4E,A4G4,A4G7,A4G9,A7E1,A7H1,N1,N2,STA1,S1A,S1A1,S1E1,S1M,S2E,S2E1,S2E2,S2E3,S2G7,S3A,S3A2,S3E9,S3G9,S3H,S3H2,S4E4,S4E9,S4G4,S4G9
			-	-	1	-	-	-	1	-----	N1R,N7A1,N7S1	
17	31110-ZL8-004	FLYWHEEL COMP. (TEC) (USE FOR IGN. COIL OF TEC)	1	-	-	1	-	-	-	-	-----	A2R,N1E1,N1E2,N1E7,N2E,N2E1,N2E2,N2E3,N2E7,N2E8,N2E9
	31110-Z0J-013	FLYWHEEL COMP. (PHELON) (USE FOR IGN. COIL OF PHELON)	-	1	-	-	-	-	-	-	-----	A2R,N1A,N1AF,N1C,N1E1,N1E7,N1L,N2E7,N2E8,N2E9,N5A,N5AF,N5C,N5MF,N5R
	31110-Z0L-832	.....	-	1	-	-	-	-	1	-	6702082	A2R,N1A,N1AF,N5AF,N5MF,N5R
18	32195-ZM0-800	CORD, STOP SWITCH	1	1	1	1	1	1	1	1	-----	E1A4,E5A4
			1	1	1	1	-	-	-	-	-----	N1E1,N1U,N1W7,N1W8,N1W9,N2E7,N2E8,N2E9,N2U,N3U,N3V,N7A1,N7S1
			1	1	1	1	-	-	-	-	-----	N1E2,N1E7,N1J1,N1R
			1	1	-	1	-	-	-	-	-----	BHH,BHH1,N1A,N1D,N1L,N1T8,N1T9,N1W,N1W1,N1W2,N2D,N2E1,N2E2,N2E3,N3T8,N3T9,N3W8,N3W9,S1G4
			-	-	-	1	-	-	-	-	-----	A2R
	32195-Z0L-800	.....	-	1	-	-	-	-	-	-	6702082	A2R,BHH,N1A
19	90681-959-003	CLIP A, CABLE (NIFCO) (3.8MM BLACK)	1	1	1	1	1	1	1	1	-----	EHHB
			1	1	1	1	-	-	-	-	-----	N1E1,N1U,N1W7,N1W8,N1W9,N2E7,N2E8,N2E9,N2U,N3U,N3V,N7A1,N7S1
			1	1	1	1	-	-	-	-	-----	N1E2,N1E7,N1J1,N1R
			1	1	-	1	-	-	-	-	-----	BHH,BHH1,N1D,N1L,N1T8,N1T9,N1W,N1W1,N1W2,N2D,N2E1,N2E2,N2E3,N3T8,N3T9,N3W8,N3W9,S1G4
			-	-	-	1	-	-	-	-	-----	A2R
	51125-Z0L-003	HOLDER, WIRE (FASTEX)	-	1	-	-	-	-	1	1	6702082	A2R,BHH,N1A,N5R
			-	-	-	-	-	-	1	1	-----	EHHB,N1L,N7S1
			-	-	-	-	-	-	1	1	-----	N7A1
			-	-	-	-	-	-	1	-	6702082	A2R,BHH,N1A,N5R
20	11344-MB0-000	GROMMET A, RR. COVER (8X16X6.6)	-	1	-	1	-	-	-	-	-----	STA1,S1A,S1A1,S1E1,S2E,S2E1,S3A
			-	1	-	-	-	-	-	-	-----	7132770 S3H2
			-	-	-	-	-	-	1	-	-----	7132770 S1A,S3A
	11344-Z0L-800	GROMMET A, RR. COVER (8X16X8)	-	1	-	-	-	-	-	-	-----	7132770 S3H2
			-	-	-	-	-	-	1	-	-----	7132770 S1A,S3A
21	75110-Z0L-800	BRAKE SUB ASSY.	-	1	-	1	-	-	-	-	-----	STA1,S1A,S1A1,S1E1,S2E,S2E1,S3A
			-	1	-	-	-	-	-	-	-----	7132770 S3H2
			-	-	-	-	-	-	1	-	-----	7132770 S1A,S3A
	75110-Z0L-900	.....	-	1	-	-	-	-	-	-	7132771	A1E7,A1M,A2E7,S2G7
			-	-	1	-	-	-	1	-	-----	A1A,A1AF,A1E7,A1M,A2E7,S1M,S2G7,S3H
			-	-	-	-	-	-	1	-	7132771	A1A,A1AF,S1M,S3H



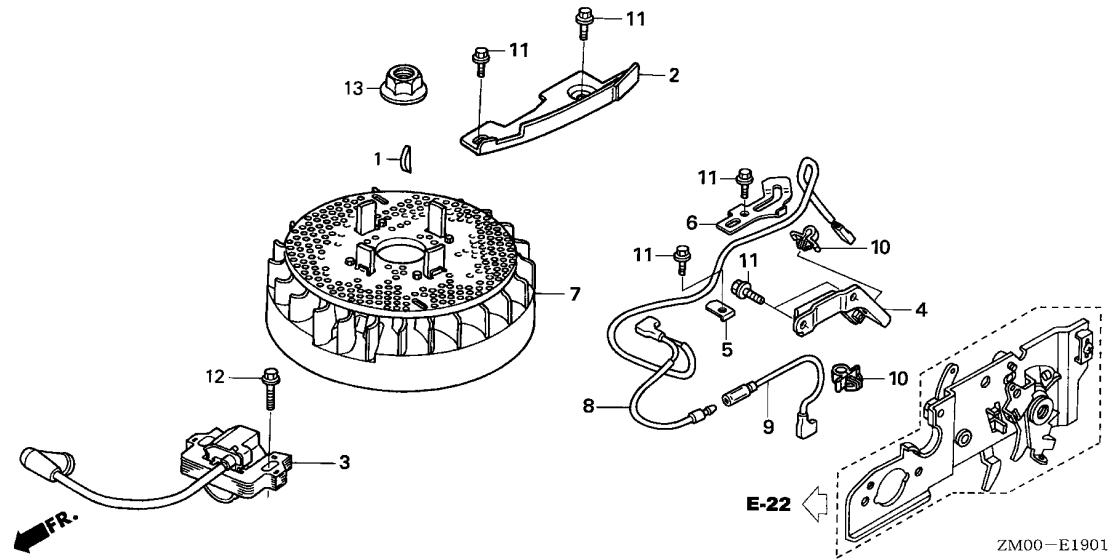


Ref. No.	Part No.	Description	Reqd. QTY								Serial No.	Parts catalogue code
			GCV 160	GCV 160 A	GCV 160 AO	GCV 160 E	GCV 160 LE	GCV 160 LA	GCV 160 LA0			
21)	75110-Z0Y-000	BRAKE SUB ASSY. ....	-	1	-	-	-	-	-	7132771	----- S3H2 ----- S1A,S3A,S3H2 ----- S1A,S3A	
22	31105-Z0L-820	FLYWHEEL ASSY. (PHELON) (USE FOR IGN. COIL OF PHELON)	-	1	-	-	-	-	-	----- 3671989	----- RTL1 ----- C1E,C1E1,C2E,C2E1,C3E,C3E1,C4E,C4E1,E1A2,E1G7,E2G7 ----- R1A,R3A,R3A1	
	31105-Z0L-821	.....	-	1	1	-	-	-	1	----- 3671990	----- RTL1 ----- EHHB ----- EHHB	
	31105-Z0L-830	.....	-	1	-	-	-	-	-	-----	----- E1A2,E1G7,E2G7,RTL1,R1A,R3A,R3A1	
	31105-Z0L-831	.....	-	1	-	-	-	-	-	----- 7132770	----- C1E,C1E1,C2E,C2E1,C3E,C3E1,C4E,C4E1	
23	75110-Z0L-821	BRAKE SUB ASSY. ....	-	1	-	-	-	-	1	----- 7132771	----- C1E,C1E1,C2E,C2E1,C3E,C3E1,C4E,C4E1 ----- C1E,C1E1,C2E,C2E1,C3E,C3E1,C4E,C4E1,E1A2,E2G7,R3A	
	75110-Z0L-822	.....	-	1	-	-	-	-	-	----- 7132771	----- S3H2 ----- S1A,S3A,S3H2 ----- S1A,S3A	
24	30500-Z0L-821	COIL ASSY., IGNITION .....	-	1	1	-	-	-	-	-----	----- C1E,C1E1,C2E,C2E1,C3E,C3E1,C4E,C4E1	
25	91601-Z0L-300	GROMMET, BRAKE PLATE .....	-	1	-	-	-	-	-	----- 7132771	----- S3H2 ----- S1A,S3A,S3H2 ----- S1A,S3A	
			-	-	-	-	-	-	1	----- 7132771	----- S3H2 ----- S1A,S3A,S3H2 ----- S1A,S3A	

# E-19-1

# FLYWHEEL(2)

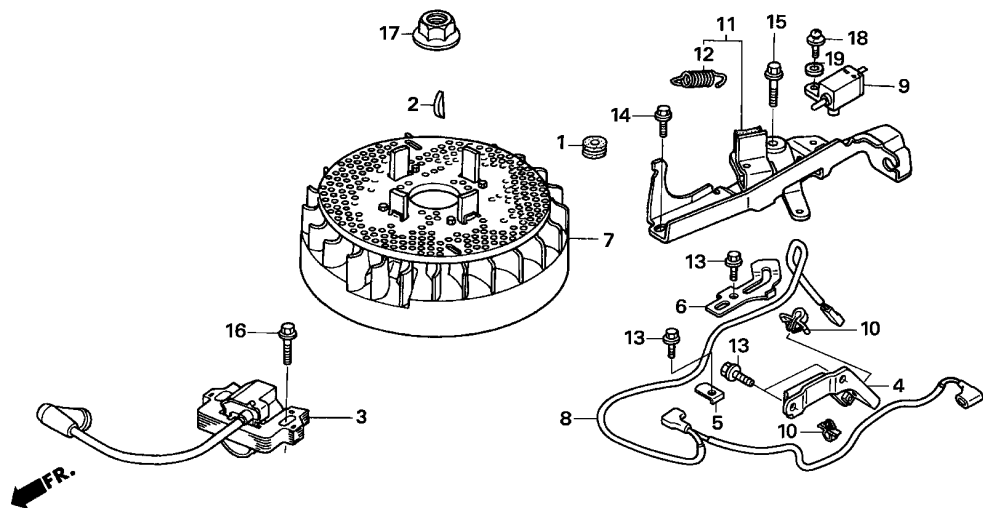
**H10**



Ref. No.	L.O.N.	(Relative ref. Number) Description	F.R.T.
2	1121A7	PLATE, SIDE .....	0.2
3	6141A5	COIL, IGNITION(ONE) .....	0.2
7	2161B5	FLYWHEEL .....	0.3
8	6111B3	CORD, STOP SWITCH .....	0.1

Ref. No.	Part No.	Description	Reqd. QTY								Serial No.	Parts catalogue code
			GCV 160	GCV 160 A	GCV 160 A0	GCV 160 E	GCV 160 LE	GCV 160 LA	GCV 160 LA0			
1	13331-357-000	KEY, SPECIAL WOODRUFF, 25X18	-	1	-	-	-	-	-	-	-	NBL1
2	19612-ZM0-J20	PLATE, SIDE .....	-	1	-	-	-	-	-	-	5008780	NBL1
	19612-Z0L-000	.....	-	1	-	-	-	-	-	-	5008781	NBL1
3	30500-Z0J-003	COIL ASSY., IGNITION (PHELON) (USE FOR F/W OF PHELON)	-	1	-	-	-	-	-	-	-	NBL1
4	30547-Z0L-S00	CLAMPER, STOP SWITCH CORD ...	-	1	-	-	-	-	-	-	-	NBL1
5	30548-ZL8-000	CLAMPER, STOP SWITCH CORD ...	-	1	-	-	-	-	-	-	-	NBL1
6	30549-ZL8-000	CLAMPER, CORD .....	-	1	-	-	-	-	-	-	-	NBL1
7	31105-Z0J-010	FLYWHEEL ASSY. (PHELON) (USE FOR IGN. COIL OF PHELON)	-	1	-	-	-	-	-	-	-	NBL1
8	32195-Z0L-S20	CORD, STOP SWITCH .....	-	1	-	-	-	-	-	-	-	NBL1
9	32196-Z0L-S20	CORD, STOP SWITCH .....	-	1	-	-	-	-	-	-	-	NBL1
10	90681-959-003	CLIP A, CABLE (NIFCO) (3.8MM BLACK)	-	2	-	-	-	-	-	-	-	NBL1
	51125-Z0L-003	HOLDER, WIRE (FASTEX) .....	-	2	-	-	-	-	-	-	-	NBL1
11	90013-883-000	BOLT, FLANGE, 6X12(CT200) ...	-	6	-	-	-	-	-	-	-	NBL1
12	90022-888-010	BOLT, FLANGE, 6X20(CT200) ...	-	1	-	-	-	-	-	-	-	NBL1
13	90201-878-003	NUT, SPECIAL, 14MM .....	-	1	-	-	-	-	-	-	-	NBL1

**2**



ZM00-E1902

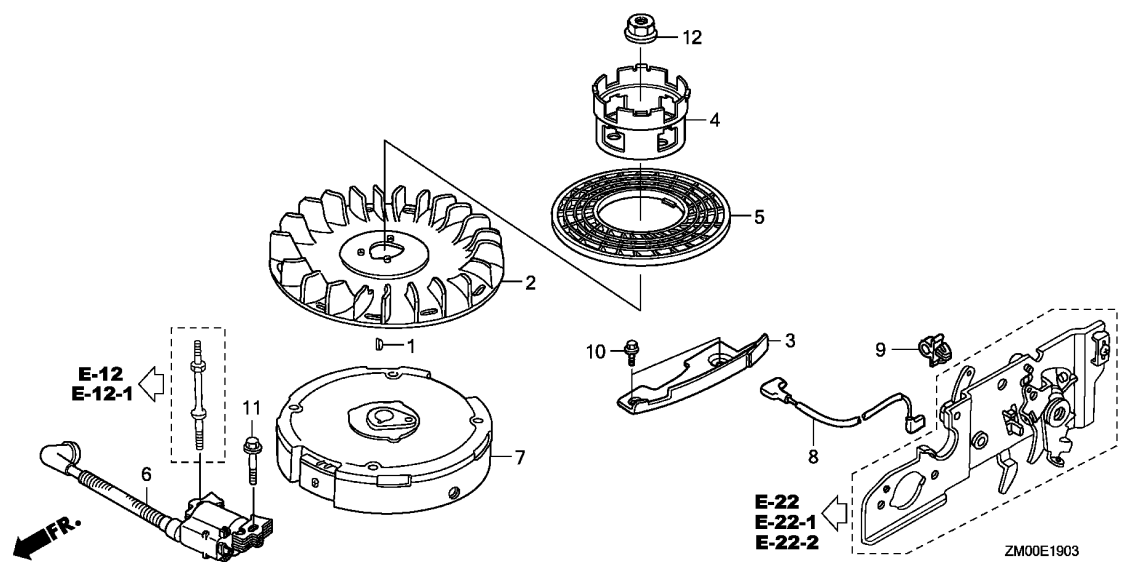
Ref. No.	L.O.N.	(Relative ref. Number) Description	F.R.T.
3	6141A5	COIL, IGNITION(ONE) .....	0.2
7	2161B5	FLYWHEEL .....	0.3
8	6111B3	CORD, STOP SWITCH .....	0.1
9	6151D9	SWITCH, ENGINE STOP .....	0.2
11	2161K1	BRAKE, ENGINE STOP .....	0.3
12	4151E0	SPRING, BRAKE LEVER .....	0.2

Ref. No.	Part No.	Description	Reqd. QTY							Serial No.	Parts catalogue code
			GCV 160 A	GCV 160 A0	GCV 160 E	GCV 160 LE	GCV 160 LA	GCV 160 LA0			
1	11344-MB0-000	GROMMET A, RR. COVER (8X16X6.6)	-	1	-	-	-	-	-	-----	STL1
2	13331-357-000	KEY, SPECIAL WOODRUFF, 25X18	-	1	-	-	-	-	-	-----	STL1
3	30500-ZL8-004	COIL ASSY., IGNITION (TEC) (USE FOR F/W OF TEC)	-	1	-	-	-	-	-	-----	STL1
4	30547-Z0L-S00	CLAMPER, STOP SWITCH CORD ...	-	1	-	-	-	-	-	-----	STL1
5	30548-ZL8-000	CLAMPER, STOP SWITCH CORD ...	-	1	-	-	-	-	-	-----	STL1
6	30549-ZL8-000	CLAMPER, CORD .....	-	1	-	-	-	-	-	-----	STL1
7	31105-ZM0-000	FLYWHEEL ASSY. (TEC) (USE FOR IGN. COIL OF TEC)	-	1	-	-	-	-	-	-----	STL1
8	32195-Z0L-S00	CORD, STOP SWITCH .....	-	1	-	-	-	-	-	-----	STL1
9	35120-ZM0-003	SWITCH ASSY., ENGINE STOP (N.C)	-	1	-	-	-	-	-	-----	STL1
10	90681-959-003	CLIP A, CABLE (NIFCO) (3.8MM BLACK)	-	2	-	-	-	-	-	-----	STL1
	51125-Z0L-003	HOLDER, WIRE (FASTEX) .....	-	2	-	-	-	-	-	-----	STL1
11	75110-Z0L-800	BRAKE SUB ASSY. ....	-	1	-	-	-	-	-	-----	STL1
12	75113-ZM0-000	SPRING, BRAKE LEVER .....	-	1	-	-	-	-	-	-----	STL1
13	90013-883-000	BOLT, FLANGE, 6X12(CT200) ...	-	4	-	-	-	-	-	-----	STL1
14	90014-952-000	BOLT, FLANGE, 6X14(CT200) ...	-	1	-	-	-	-	-	-----	STL1
15	90018-ZE1-000	BOLT, FLANGE, 6X23(CT200) ...	-	1	-	-	-	-	-	-----	STL1
16	90022-888-010	BOLT, FLANGE, 6X20(CT200) ...	-	1	-	-	-	-	-	-----	STL1
17	90201-878-003	NUT, SPECIAL, 14MM .....	-	1	-	-	-	-	-	-----	STL1
18	93892-04012-00	SCREW-WASHER, 4X12 .....	-	1	-	-	-	-	-	-----	STL1
19	94103-04000	WASHER, PLAIN, 4MM .....	-	1	-	-	-	-	-	-----	STL1

E-19-3

FLYWHEEL(4)

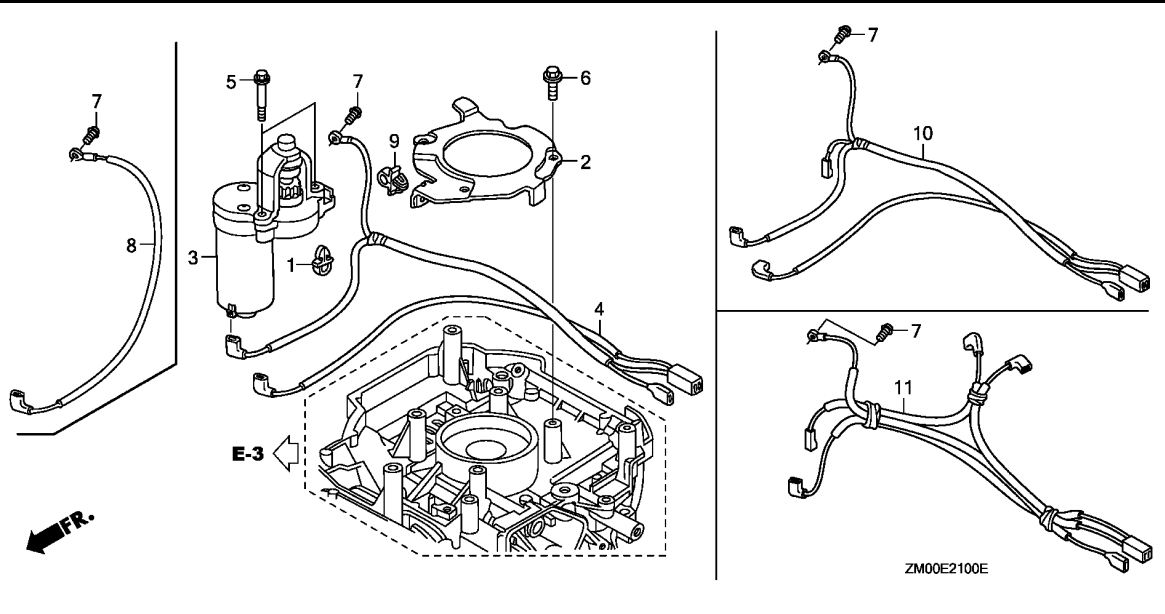
H12



Ref. No.	L.O.N.	(Relative ref. Number) Description	F.R.T.
2	1141G7	FAN, ENGINE COOLING .....	0.2
3	1121A7	PLATE, SIDE .....	0.2
6	6141A5	COIL, IGNITION(ONE) .....	0.2
7	2161B5	FLYWHEEL .....	0.3
8	6111B3	CORD, STOP SWITCH .....	0.1

Ref. No.	Part No.	Description	Reqd. QTY								Serial No.	Parts catalogue code
			GCV 160	GCV 160 A	GCV 160 A0	GCV 160 E	GCV 160 LE	GCV 160 LA	GCV 160 LA0			
1	13331-357-000	KEY, SPECIAL WOODRUFF, 25X18	-	-	1	-	-	-	1	-	6702083	A2R,BHH,BHH1,N1A,N1AF,N1L,N5AF,N5MF,N5R
2	19511-Z0J-900	FAN, COOLING .....	-	-	1	-	-	-	1	-	6702083	A2R,BHH,BHH1,N1A,N1AF,N1L,N5AF,N5MF,N5R
3	19612-Z0L-000	PLATE, SIDE .....	-	-	1	-	-	-	1	-	6702083	A2R,BHH,BHH1,N1A,N1AF,N5AF,N5MF,N5R
4	28451-Z0J-900	PULLEY, STARTER .....	-	-	1	-	-	-	1	-	6702083	A2R,BHH,BHH1,N1A,N1AF,N1L,N5AF,N5MF,N5R
5	28452-Z0J-900	GRID, SCREEN .....	-	-	1	-	-	-	1	-	6702083	A2R,BHH,BHH1,N1A,N1AF,N5AF,N5MF,N5R
6	30500-Z0J-004	COIL ASSY., IGNITION (TOYO) .	-	-	1	-	-	-	1	-	6702083	A2R,BHH,BHH1,N1A,N1AF,N1L,N5AF,N5MF,N5R
7	31110-Z0J-004	FLYWHEEL COMP. ....	-	-	1	-	-	-	1	-	6702083	A2R,BHH,BHH1,N1A,N1AF,N1L,N5AF,N5MF,N5R
8	32195-Z0L-900	CORD, STOP SWITCH .....	-	-	1	-	-	-	1	-	6702083	A2R,BHH,BHH1,N1A,N1L
9	51125-Z0L-003	HOLDER, WIRE (FASTEX) .....	-	-	1	-	-	-	1	-	6702083	A2R,BHH,N1A
	90681-959-003	CLIP A, CABLE (NIFCO) (3.8MM BLACK)	-	-	1	-	-	-	1	-	6702083	A2R,BHH,BHH1,N1A,N1L
10	90013-883-000	BOLT, FLANGE, 6X12(CT200) ...	-	-	2	-	-	-	2	-	6702083	A2R,BHH,BHH1,N1A,N1AF,N1L,N5AF,N5MF,N5R
11	90018-ZE1-000	BOLT, FLANGE, 6X23(CT200) ...	-	-	1	-	-	-	1	-	6702083	A2R,BHH,BHH1,N1A,N1AF,N1L,N5AF,N5MF,N5R
12	90201-Z0T-800	NUT, SPECIAL, 14MM .....	-	-	1	-	-	-	1	-	6702083	A2R,BHH,BHH1,N1A,N1AF,N1L,N5AF,N5MF,N5R

2



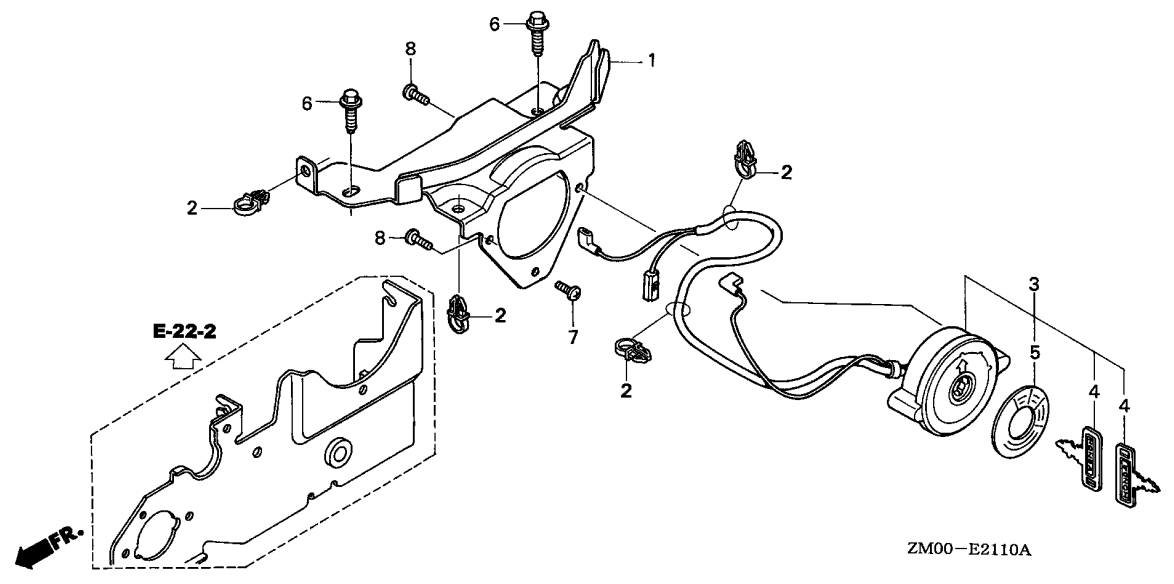
Ref. No.	L.O.N.	(Relative ref. Number) Description	F.R.T.
3	6121D5	MOTOR, STARTER (10,11)	0.2
4	6121D4	CORD, TERMINAL EARTH	0.3

Ref. No.	Part No.	Description	Reqd. QTY								Serial No.	Parts catalogue code
			GCV 160	GCV 160 A	GCV 160 A0	GCV 160 E	GCV 160 LE	GCV 160 LA	GCV 160 LA0			
1	22534-ZOL-820	HOLDER, WIRE	-	1	1	-	-	1	1	-----	-----	C1E,C1E1,C2E,C2E1,C3E,C3E1,C4E,C4E1,EHBB,E1A2,E1G7,E2G7,RTL1,R1A,R3A,R3A1
2	30549-ZOL-820	CLAMPER, CORD	-	1	1	-	-	1	1	-----	-----	C1E,C1E1,C2E,C2E1,C3E,C3E1,C4E,C4E1,EHBB,E1A2,E1A4,E1G7,E2G7,E5A4,RTL1,R1A,R3A,R3A1
3	31200-ZOL-821	MOTOR ASSY., STARTER	-	1	1	-	-	1	1	-----	-----	C1E,C1E1,C2E,C2E1,C3E,C3E1,C4E,C4E1,EHBB,E1A2,E1A4,E1G7,E2G7,E5A4,RTL1,R1A,R3A,R3A1
4	32222-ZOL-820	CORD, TERMINAL EARTH	-	1	1	-	-	1	1	-----	-----	E1A2,E1G7,E2G7,R1A,R3A,R3A1
5	90001-ZOL-820	BOLT, SPECIAL, 6MM	-	2	2	-	-	2	2	-----	-----	C1E,C1E1,C2E,C2E1,C3E,C3E1,C4E,C4E1,EHBB,E1A2,E1A4,E1G7,E2G7,E5A4,RTL1,R1A,R3A,R3A1
6	90013-883-000	BOLT, FLANGE, 6X12(CT200)	-	3	3	-	-	3	3	-----	-----	C1E,C1E1,C2E,C2E1,C3E,C3E1,C4E,C4E1,EHBB,E1A2,E1A4,E1G7,E2G7,E5A4,RTL1,R1A,R3A,R3A1
7	93500-05008-0A	SCREW, PAN, 5X8	-	1	1	-	-	1	1	-----	-----	C1E,C1E1,C2E,C2E1,C3E,C3E1,C4E,C4E1,EHBB,E1A2,E1A4,E1G7,E2G7,E5A4,RTL1,R1A,R3A,R3A1
8	32222-ZOL-830	CORD, TERMINAL EARTH	-	1	-	-	-	-	-	-----	-----	EHBB,E1A4,E5A4
9	22534-ZOL-820	HOLDER, WIRE	-	1	1	-	-	-	-	-----	-----	C1E,C1E1,C2E,C2E1,C3E,C3E1,C4E,C4E1
	51125-ZOL-003	HOLDER, WIRE (FASTEX)	-	1	-	-	-	1	1	-----	-----	E1A2
	90681-959-003	CLIP A, CABLE (NIFCO) (3.8MM BLACK)	-	1	-	-	-	1	1	-----	-----	C3E
10	32222-ZOL-S10	CORD, TERMINAL EARTH	-	1	-	-	-	1	1	-----	-----	E1A2,RTL1 E2G7,R3A
11	32223-ZOL-820	CORD, COMBINATION	-	1	1	-	-	-	-	-----	-----	RTL1 C1E,C1E1,C2E,C2E1,C3E,C3E1,C4E,C4E1

# E-21-10

# COMBINATION SWITCH

**H14**

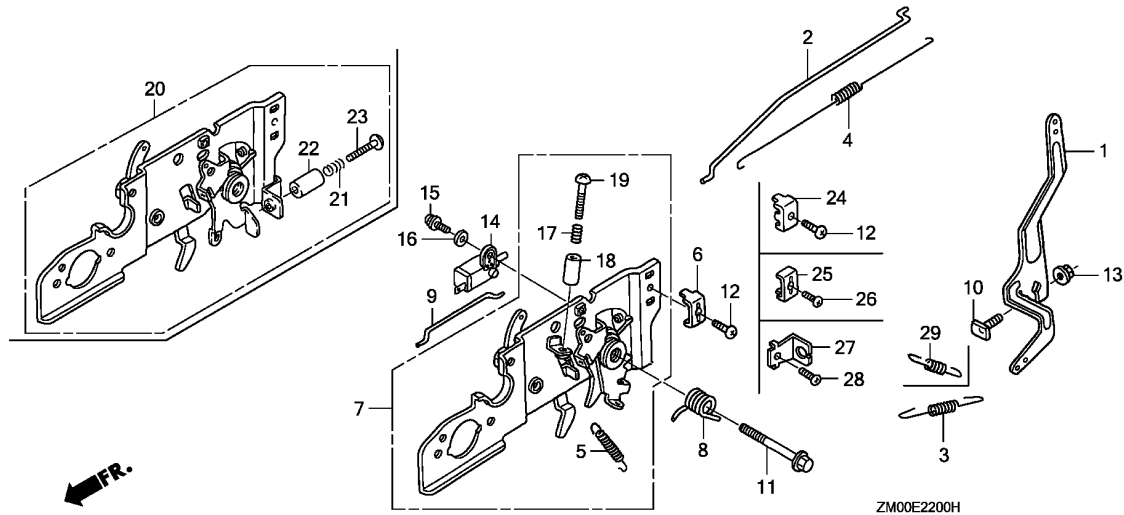


Ref. No.	L.O.N.	(Relative ref. Number) Description	F.R.T.
1	1121F3	PLATE, SIDE(A) .....	0.3
3	6151E1	SWITCH, COMBINATION .....	0.4

Ref. No.	Part No.	Description	Reqd. QTY								Serial No.	Parts catalogue code
			GCV 160	GCV 160 A	GCV 160 A0	GCV 160 E	GCV 160 LE	GCV 160 LA	GCV 160 LA0			
1	19612-ZOL-830	PLATE, SIDE .....	-	1	-	-	-	-	-	-	-----	E1A4,E5A4
2	22534-ZOL-820	HOLDER, WIRE .....	-	4	-	-	-	-	-	-	-----	E1A4,E5A4
3	35100-ZOL-831	SWITCH ASSY., COMBINATION .....	-	1	-	-	-	-	-	-	-----	E1A4,E5A4
4	35111-ZOL-830	KEY, COMBINATION SWITCH .....	-	2	-	-	-	-	-	-	-----	E1A4,E5A4
5	87501-ZOL-830	MARK, ENGINE SWITCH .....	-	1	-	-	-	-	-	-	-----	E1A4,E5A4
6	90013-883-000	BOLT, FLANGE, 6X12(CT200) .....	-	2	-	-	-	-	-	-	-----	E1A4,E5A4
7	93500-05010-0A	SCREW, PAN, 5X10 .....	-	1	-	-	-	-	-	-	-----	E1A4,E5A4
8	93500-05012-0A	SCREW, PAN, 5X12 .....	-	2	-	-	-	-	-	-	-----	E1A4,E5A4

**2**



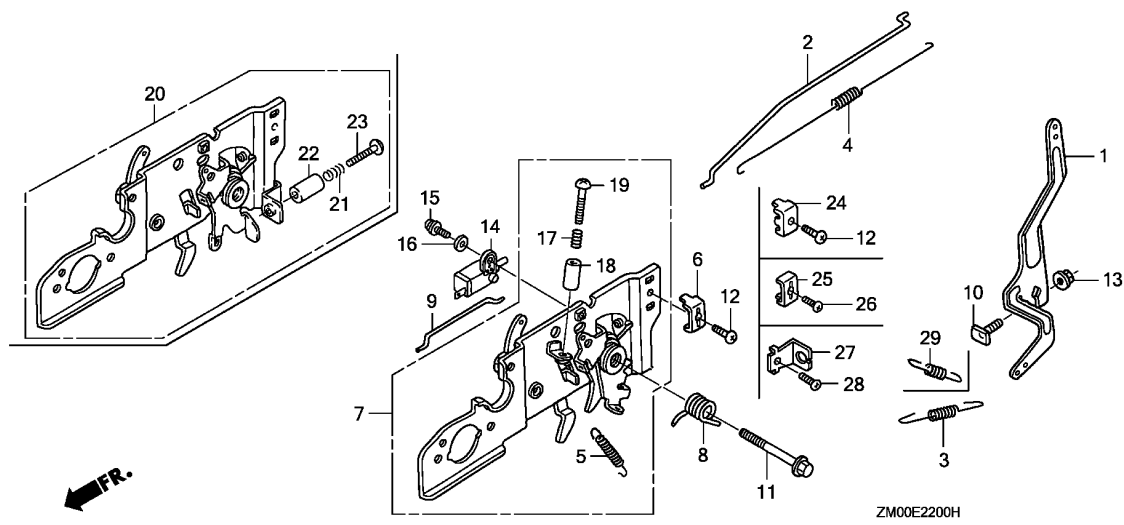


Ref. No.	L.O.N.	(Relative ref. Number) Description	F.R.T.
1	1161A0	ARM, GOVERNOR .....	0.2
2	1161B1	ROD, GOVERNOR .....	0.2
3	1161C5	SPRING, GOVERNOR .....	0.1
4	1161C2	SPRING, THROTTLE RETURN .....	0.2
5	1161C0	SPRING, LEVER .....	0.1
7		(20)	
	1161A2	BASE, CONTROL .....	0.3
8	1161B8	SPRING, CONTROL LEVER RETURN ..	0.3
9	8101R5	ROD, GOVERNOR CHOKE CONTROL ..	0.3
14	6151K1	SWITCH, THROTTLE/GOVERNOR ENGINE STOP .....	0.2

Ref. No.	Part No.	Description	Reqd. QTY								Serial No.	Parts catalogue code
			GCV 160	GCV 160 A	GCV 160 AO	GCV 160 E	GCV 160 LE	GCV 160 LA	GCV 160 LAO			
1	16551-ZM0-000	ARM, GOVERNOR .....	1	-	-	-	-	-	-	-	-----	A1J,A1U,A2U,A4E,N2D,N2E2
			1	-	-	-	-	-	-	-	2299007	A1A,A1C,A1E,A1P,A1W2,A2A,A2C,A2E,A2E4,A3E,N1,N1D,N1E1,N1E2,N1U,N1W,N1W1,N1W2,N2,N2E,N2E1,N2E3,N2U,N3V
	16551-ZM0-010	.....	1	1	1	1	-	1	1	-	-----	A1E7,A1E8,A1G7,A1W7,A2E7,A2E8,A2E9,A2G7,A7E1,N1E7,N1J1,N1R,N1W7,N1W8,N1W9,N2E7,N2E8,N2E9,N3U,N7A1
			1	-	-	-	-	-	-	-	2299008	A1A,A1C,A1E,A1P,A1W2,A2A,A2C,A2E,A2E4,A3E,N1,N1D,N1E1,N1E2,N1U,N1W,N1W1,N1W2,N2,N2E,N2E1,N2E3,N2U,N3V
			-	1	1	1	-	1	1	-	-----	A1A,A1AS,A1AW,A1C,A1E,A1G9,A1M,A1P,A2A,A2A9,A2C,A2G4,A2G9,A3E,A3E7,A3E9,A3G9,A3T9,A3W7,A3W8,A4G4,A4G7,A4G9,BHH,BHH1,C1E,C1E1,C2E,C2E1,C3E,C3E1,C4E,C4E1,EHHB,E1G7,E2G7,NBL1,N1D,N1E1,N1E2,N1T8,N1T9,N1U,N2U,N3T8,N3T9,N3V,N3W8,N3W9,N7S1,S1E1,S1G4,S2E1,S2E2,S2E3,S2G7,S3E9,S3G9,S4E4,S4E9,S4G4,S4G9
2	16555-ZM0-000	ROD, GOVERNOR .....	1	-	-	1	-	-	-	1	-----	N1AF,R3A,S1A,S1M,S3A,S3H
			1	-	-	1	-	-	-	-	-----	A1A,A1C,A1E,A1E7,A1E8,A1G7,A1G9,A1J,A1P,A1U,A1W2,A1W7,A2A,A2A9,A2C,A2E,A2E4,A2E7,A2E8,A2E9,A2G4,A2G7,A2G9,A2U,A3E,A3E7,A3E9,A3G9,A3T9,A3W7,A3W8,A4E,A4G4,A4G7,A4G9,A7E1,N1,N1D,N1E1,N1E2,N1E7,N1J1,N1R,N1T8,N1T9,N1U,N1W,N1W1,N1W2,N1W7,N1W8,N1W9,N2,N2D,N2E,N2E1,N2E2,N2E3,N2E7,N2E8,N2E9,N2U,N3T8,N3T9,N3U,N3V,N3W8,N3W9,N7A1,S1G4,S2E2,S2E3,S3E9,S3G9,S4E4,S4E9,S4G4,S4G9
			-	-	-	-	1	-	-	-	-----	

Ref. No.	Part No.	Description	Reqd. QTY								Serial No.	Parts catalogue code
			GCV 160	GCV 160 A	GCV 160 AO	GCV 160 E	GCV 160 LE	GCV 160 LA	GCV 160 LAO			
(2)	16555-ZOL-800	ROD, GOVERNOR .....	-	1	-	-	-	-	-	-	-	A1A,A1AW,A1C,A1E,A1E8,A1W7,A2A,A2C,A2E8,A2E9,A2G7,A3E,A7E1,BHH,EHBB,E1G7,E2G7,N1E1,N1E7,N1W7,N1W8,N1W9,N2E7,N2E8,N2E9,N7A1,N7S1
			-	1	-	-	-	-	-	-	6349022	A1AS,A1E7,A1M,A2E7,BHH1,C1E,C1E1,C2E,C2E1,C3E,C3E1,C4E,C4E1,NBL1,N1R,N1U,N2U,N3U,N3V,S2G7
			-	-	-	1	-	-	-	-	2441644	S1E1,S2E,S2E1
	16555-ZOL-801	.....	-	1	-	-	-	-	-	1	6349022	A1A,BHH,N7A1,N7S1
			-	-	1	-	-	-	1	-	-	A1AE,A1AS,A1E7,A1M,A2E7,BHH1,C1E,C1E1,C2E,C2E1,C3E,C3E1,C4E,C4E1,NBL1,N1R,N1U,N2U,N3U,N3V,N5A,RTL1,STL1,S2G7,S3A2
			-	-	1	-	-	-	1	-	-	A1A,A1AW,A1E7,A1M,A2E7,BHH,BHH1,C1E,C1E1,C2E,C2E1,C3E,C3E1,C4E,C4E1,E2G7,N1AF,N1R,N1U,N2U,N3U,N3V,N7A1,N7S1,R3A,S1A,S1M,S2G7,S3A,S3H
			-	-	-	1	-	-	-	-	2441645	S1E1,S2E,S2E1
			-	-	-	-	-	-	1	-	6349023	A1A,BHH,N7A1,N7S1
3	16561-ZM0-000	SPRING, GOVERNOR .....	1	1	-	1	-	-	-	-	-	EHHB,N1D,N1E2,N1J1
			1	-	-	1	-	-	-	-	-	A1A,A1C,A1E,A1J,A1P,A1U,A1W2,A2A,A2C,A2E,A2E4,A2U,A3E,A4E,N1,N1E1,N1R,N1U,N1W,N1W1,N1W2,N2,N2D,N2E,N2E1,N2E2,N2E3,N2U,N3U,N3V
	16561-ZM0-870	.....	1	1	1	-	-	-	-	-	-	A1E7,A1E8,A1G7,A1W7,A2E7,A2E8,A2E9,A2G7,C1E,C1E1,C2E,C2E1,C3E,C3E1,C4E,C4E1,E1G7,E2G7,N1E7,N1W7,N1W8,N1W9,N2E7,N2E8,N2E9,S2G7
			-	-	-	1	-	-	-	-	-	N1T8,N1T9,N3T8,N3T9
	16561-ZOL-000	.....	-	1	1	-	-	1	1	-	-	A1A,A1AS,A1AW,A1C,A1E,A1M,A2A,A2C,A3E,BHH,BHH1,NBL1,N1E1,N1R,N1U,N2U,N3U,N3V
			-	-	-	-	-	-	1	-	-	R3A,S1A,S1M,S3A,S3H
	16561-ZM0-V30	.....	1	1	-	1	1	1	1	-	-	A7E1,A7H1,N7A1,N7S1
			-	-	-	-	-	-	1	-	-	N1AF
	16561-Z1L-870	.....	-	-	-	1	1	-	-	-	-	A1E7,A1E8,A1G7,A1G9,A1W7,A2A9,A2E7,A2E8,A2E9,A2G4,A2G7,A2G9,A3E7,A3E9,A3G9,A3T9,A3W7,A3W8,A4A9,A4G4,A4G7,A4G9,N1E7,N1W7,N1W8,N1W9,N2E7,N2E8,N2E9,N3W8,N3W9,S1E1,S1G4,S2E,S2E1,S2E2,S2E3,S3E9,S3G9,S4E4,S4E9,S4G4,S4G9
4	16562-ZM0-000	SPRING, THROTTLE RETURN .....	1	1	1	1	-	1	1	-	-	A1A,A1AS,A1AW,A1C,A1E,A1E7,A1E8,A1G7,A1G9,A1J,A1M,A1P,A1U,A1W2,A1W7,A2A,A2A9,A2C,A2E,A2E4,A2E7,A2E8,A2E9,A2G4,A2G7,A2G9,A2U,A3E,A3E7,A3E9,A3G9,A3T9,A3W7,A3W8,A4E,A4G4,A4G7,A4G9,A7E1,BHH,BHH1,C1E,C1E1,C2E,C2E1,C3E,C3E1,C4E,C4E1,EHHB,E1G7,E2G7,NBL1,N1,N1D,N1E1,N1E2,N1E7,N1J1,N1R,N1T8,N1T9,N1W,N1W1,N1W2,N1W7,N1W8,N1W9,N2,N2D,N2E,N2E1,N2E2,N2E3,N2E7,N2E8,N2E9,N2U,N3T8,N3T9,N3U,N3V,N3W8,N3W9,N7A1,N7S1,S1E1,S1G4,S2E,S2E1,S2E2,S2E3,S2G7,S3E9,S3G9,S4E4,S4E9,S4G4,S4G9
			-	-	-	-	1	-	-	-	-	N1AF,R3A,S1A,S1M,S3A,S3H
			-	-	-	-	-	-	1	-	-	A1AS,A1E7,A2E7,BHH1,C1E,C1E1,C2E,C2E1,C3E,C3E1,C4E,C4E1,E2G7,N1R,N1U,N2U,N3U,N3V
5	16576-ZE7-300	SPRING, LEVER .....	1	1	1	1	-	1	1	-	-	A1A,A1AW,A1C,A1E,A1E8,A1G7,A1G9,A1J,A1M,A1P,A1U,A1W2,A1W7,A2A,A2A9,A2C,A2E,A2E4,A2E8,A2E9,A2G4,A2G7,A2G9,A2U,A3E,A3E7,A3E9,A3G9,A3T9,A3W7,A3W8,A4A9,A4E,A4G4,A4G7,A4G9,BHH,EHHB,E1G7,NBL1,N1,N1D,N1E1,N1E2,N1E7,N1J1,N1T8,N1T9,N1W,N1W1,N1W2,N1W7,N1W8,N1W9,N2,N2D,N2E,N2E1,N2E2,N2E3,N2E7,N2E8,N2E9,N3T8,N3T9,N3W8,N3W9,S1G4,S2E3,S3G9,S4G4,S4G9

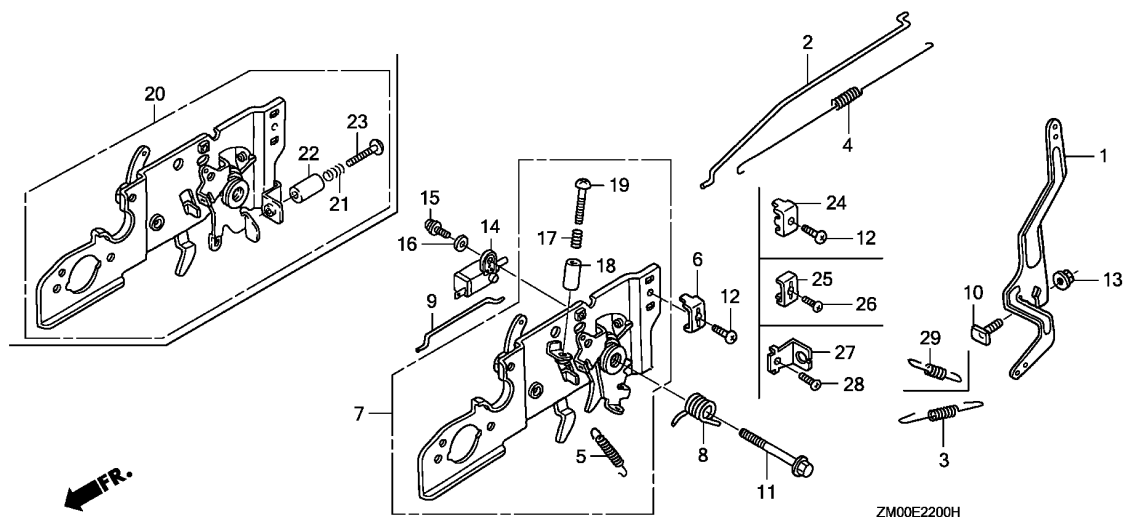




Ref. No.	Part No.	Description	Reqd. QTY								Serial No.	Parts catalogue code
			GCV 160	GCV 160 A	GCV 160 AO	GCV 160 E	GCV 160 LE	GCV 160 LA	GCV 160 LA0			
6	16576-891-000	HOLDER, CABLE	1	1	-	-	-	-	-	-	-	A1J,A1U,A2U,A4E,BHH,N2D,N2E2 A1A,A1C,A1E,A1E7,A1E8,A1G7,A1P,A1W2,A1W7,A2A,A2C A2E,A2E4,A2E7,A2E8,A2E9,A2G7,A3E,A7E1,N1,N1D,N1E1 N1E2,N1E7,N1J1,N1R,N1U,N1W,N1W1,N1W2,N1W7,N1W8 N1W9,N2,N2E,N2E1,N2E3,N2E7,N2E8,N2E9,N2U,N3U,N3V N7A1 A1A,A1C,A1E7,A1E8,A1W7,A2A,A2C,A2E7,A2E8,A2E9,A2G7 A7E1,N1E7,N1U,N1W7,N1W8,N1W9,N2E7,N2E8,N2E9,N2U N3V,N7A1 A1E7,A1E8,A1G7,A1W7,A2E7,A2E8,A2E9,A2G7,A2G9,A3E7 A7E1,N1E7,N1W7,N1W8,N1W9,N2E7,N2E8,N2E9,N7A1 A1A,A1C,A1E,A1J,A1P,A1U,A2A,A2C,A2E,A2U,A3E,A4E,N1 N2 N1D,N1E1,N1E2,N1U,N2D,N2E,N2E1,N2E2,N2E3,N2U BHH,EHHB,NBL1,N1J1,N1W2 A2E4 A1A,A1C,A1E,A1J,A1P,A1U,A2A,A2C,A2E,A2U,A3E,A4E,N1 N2 A1A,A1AS,A1C,A1E,A1M,A2A,A2C,A3E A1P N1W,N1W1,N3U,N3V N1D,N1E1,N1E2,N1U,N2D,N2E,N2E1,N2E2,N2E3,N2U N1D,N1E1,N1E2,N1U,N2U N1R N1R A1AW A1P N1W8 A1W2
7	16580-ZM0-000	BASE COMP., CONTROL	1	-	-	-	-	-	-	-	-	1239887 1177559
	16580-ZM0-800		1	-	-	-	-	-	-	-	-	1177559
	16580-ZM0-J22		1	1	-	1	-	1	-	-	-	
	16580-ZM0-020		1	-	-	-	-	-	-	-	-	1177560
	16580-ZM0-802		1	1	-	-	-	-	-	-	-	2352103 1177560
	16580-ZM0-V90		1	1	-	-	-	-	-	-	-	2352103
	16580-ZM0-030		-	1	-	-	-	-	-	-	-	2352104
	16580-ZM0-880		1	-	-	-	-	-	-	-	-	
	16580-ZM1-J01		1	-	-	-	-	-	-	-	-	

Ref. No.	Part No.	Description	Reqd. QTY								Serial No.	Parts catalogue code
			GCV 160	GCV 160 A	GCV 160 AO	GCV 160 E	GCV 160 LE	GCV 160 LA	GCV 160	GCV 160 LAO		
(7)	16580-ZM0-J61	BASE COMP., CONTROL .....	1	1	-	-	-	-	-	-	-	BHH1,N1W9
	16580-ZM0-V91	.....	-	-	1	-	-	-	-	2352103	N1T9,N1W9,N3T9,N3W9	
	16580-ZM1-J41	.....	-	-	1	-	-	-	-	2352104	N1R	
	16580-ZM0-J62	.....	1	1	-	-	-	-	-	2352103	N1R	
	16580-ZM0-871	.....	-	-	1	1	-	-	-	2352104	A1W7	
	16580-ZM1-J42	.....	-	-	-	1	-	-	-	2352103	A1W7	
	16580-ZM0-872	.....	1	1	-	-	-	-	-	2352103	A3T9,BHH1	
	16580-ZM0-881	.....	-	-	-	1	1	-	-	2352104	N1T9,N1W9,N3T9,N3W9	
	16580-ZM0-882	.....	-	-	-	1	-	-	-	2312687	N1E7,A1E8,A1G7,A2E7,A2E8,A2E9,A2G7,C1E,C1E1,C2E	
	16580-Z1L-850	.....	-	-	-	1	-	-	-	2352104	C2E1,E1G7,E2G7	
	16580-Z1L-860	.....	-	-	-	1	-	-	-	2352104	A1E7,A1E8,A1G7,A1G9,A2A9,A2E7,A2E8,A2E9,A2G4,A2G7	
	16580-Z0L-J20	.....	-	-	-	1	-	-	-	2352104	A2G9,A3E7,A3E9,A3W7,A3W8	
	16580-Z0L-000	.....	-	-	-	1	-	-	-	2312686	A1W7	
	16580-Z0Y-800	.....	-	-	-	1	-	-	-	2312687	A3G9,A4G4,A4G7,A4G9,C3E,C3E1,C4E,C4E1	
8	16593-ZM0-000	SPRING, CONTROL LEVER RETURN	1	1	1	1	-	-	1	1684422	A1E7,A2E7,A4A9,C1E,C1E1,C2E,C2E1,E2G7	
			-	-	-	1	-	-	-	1684422	A1E7,A1E8,A1G7,A1G9,A2A9,A2E7,A2E8,A2E9,A2G4,A2G7	
			-	-	-	1	-	-	-	1684422	A2G9,A3E7,A3E9,A3W7,A3W8	
			-	-	-	1	-	-	-	1684422	N1E7,N1W7,N2E7,N2E8,N2E9	
			-	-	-	1	-	-	-	1684422	N1E7,N1T8,N1W7,N1W8,N2E7,N2E8,N2E9,N3T8,N3W8	
			-	-	-	1	-	-	-	1684422	N1E7,N1T8,N1W7,N1W8,N2E7,N2E8,N2E9,N3T8,N3W8	
			-	-	-	1	-	-	-	1684422	S2E3,S3G9,S4G4,S4G9	
			-	-	-	1	-	-	-	1684422	S1G4	
			-	-	-	1	-	-	1	1684422	BHH	
			-	-	-	1	-	-	-	1684422	A1A,A1AW,A1M	
			-	-	-	1	-	-	-	1684422	N1U,N2U,N3U,N3V	
8	16593-ZM0-000	SPRING, CONTROL LEVER RETURN	1	1	1	1	-	-	1	1684422	A1W2,A1W7,A3T9,BHH,BHH1,EHHB,NBL1,N1D,N1E1,N1E2	
			-	-	-	1	-	-	-	1684422	N1E7,N1J1,N1R,N1T9,N1W,N1W1,N1W2,N1W9,N2D,N2E,N2E1	
			-	-	-	1	-	-	-	1684422	N2E2,N2E3,N2E7,N2E8,N2E9,N3T9,N3W9	
			-	-	-	1	-	-	-	1684422	N1U,N2U,N3U,N3V	
			-	-	-	1	-	-	-	1684422	A3W7,A3W8	
9	16674-ZM0-000	ROD, CHOKE .....	1	1	1	1	-	-	1	1684422	A1A,A1AS,A1AW,A1C,A1E,A1E7,A1E8,A1G7,A1G9,A1J,A1M	
			-	-	-	1	-	-	-	1684422	A1P,A1U,A1W2,A1W7,A2A,A2A9,A2C,A2E,A2E4,A2E7,A2E8	
			-	-	-	1	-	-	-	1684422	A2E9,A2G4,A2G7,A2G9,A2U,A3E,A3E7,A3E9,A3G9,A3T9	
			-	-	-	1	-	-	-	1684422	A3W7,A3W8,A4E,A4G4,A4G7,A4G9,A7E1,BHH,BHH1,C1E	
			-	-	-	1	-	-	-	1684422	C1E1,C2E,C2E1,C3E,C3E1,C4E,C4E1,EHHB,E1G7,E2G7	
			-	-	-	1	-	-	-	1684422	NBL1,N1,N1D,N1E1,N1E2,N1E7,N1J1,N1R,N1T8,N1T9,N1U	
			-	-	-	1	-	-	-	1684422	N1W,N1W1,N1W2,N1W7,N1W8,N1W9,N2,N2D,N2E,N2E1,N2E2	
			-	-	-	1	-	-	-	1684422	N2E3,N2E7,N2E8,N2E9,N2U,N3T8,N3T9,N3U,N3V,N3W8	
			-	-	-	1	-	-	-	1684422	N3W9,N7A1,N7S1	
10	90015-ZE5-010	BOLT, GOVERNOR ARM .....	1	1	1	1	-	-	1	1684422	A1A,A1AS,A1AW,A1C,A1E,A1E7,A1E8,A1G7,A1G9,A1J,A1M	
			-	-	-	1	-	-	-	1684422	A1P,A1U,A1W2,A1W7,A2A,A2A9,A2C,A2E,A2E4,A2E7,A2E8	
			-	-	-	1	-	-	-	1684422	A2E9,A2G4,A2G7,A2G9,A2U,A3E,A3E7,A3E9,A3G9,A3T9	
			-	-	-	1	-	-	-	1684422	A3W7,A3W8,A4E,A4G4,A4G7,A4G9,A7E1,BHH,BHH1,C1E	
			-	-	-	1	-	-	-	1684422	C1E1,C2E,C2E1,C3E,C3E1,C4E,C4E1,EHHB,E1G7,E2G7	
			-	-	-	1	-	-	-	1684422	NBL1,N1,N1D,N1E1,N1E2,N1E7,N1J1,N1R,N1T8,N1T9,N1U	
			-	-	-	1	-	-	-	1684422	N1W,N1W1,N1W2,N1W7,N1W8,N1W9,N2,N2D,N2E,N2E1,N2E2	
			-	-	-	1	-	-	-	1684422	N2E3,N2E7,N2E8,N2E9,N2U,N3T8,N3T9,N3U,N3V,N3W8	
			-	-	-	1	-	-	-	1684422	N3W9,N7A1,N7S1,S1E1,S1G4,S2E,S2E1,S2E2,S2E3,S2G7	
			-	-	-	1	-	-	-	1684422	S3E9,S3G9,S4E4,S4E9,S4G4,S4G9	
			-	-	-	1	-	-	1	1684422	N1AF,R3A,S1A,S1M,S3A,S3H	



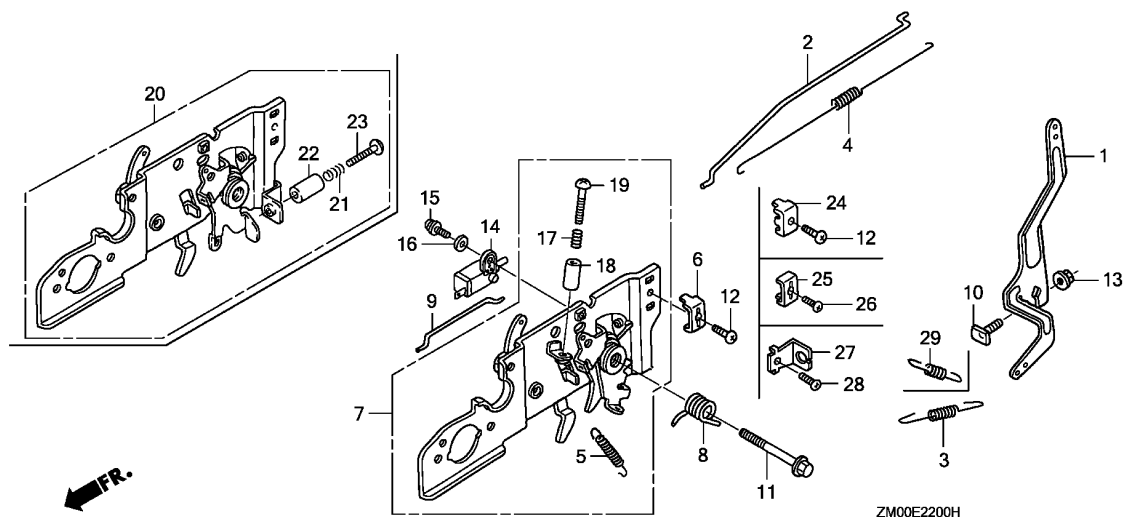


2

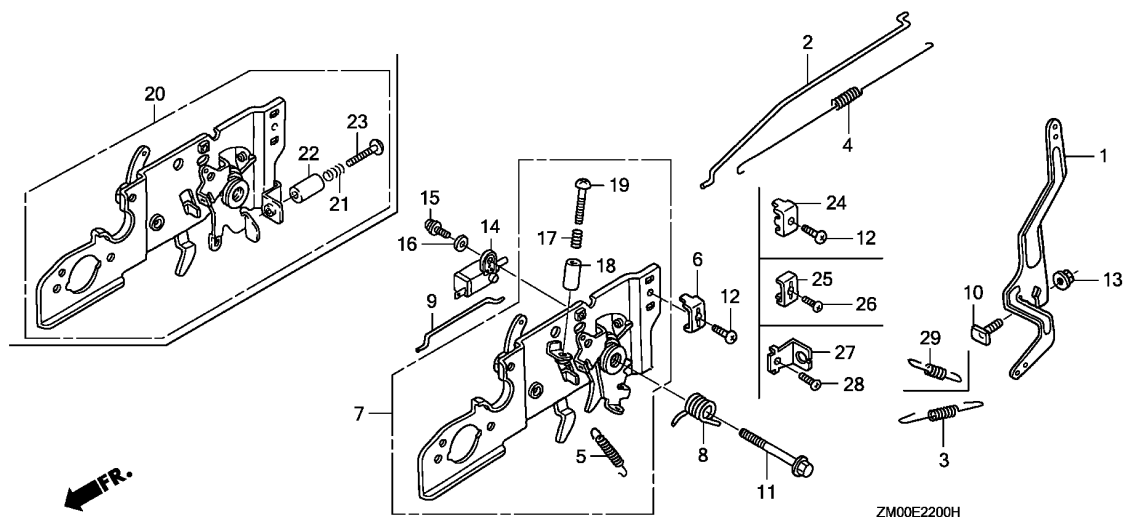
Ref. No.	Part No.	Description	Reqd. QTY								Serial No.	Parts catalogue code
			GCV 160	GCV 160 A	GCV 160 A0	GCV 160 E	GCV 160 LE	GCV 160 LA	GCV 160 LA0	GCV 160		
11	90016-ZM0-000	BOLT, FLANGE, 6X45(CT200) ...	1	1	1	1	-	1	1	-	-	A1A,A1AS,A1AW,A1C,A1E,A1E7,A1E8,A1G7,A1G9,A1J,A1M,A1P,A1U,A1W2,A1W7,A2A,A2A9,A2C,A2E,A2E4,A2E7,A2E8,A2E9,A2G4,A2G7,A2G9,A2U,A3E,A3E7,A3E9,A3G9,A3T9,A3W7,A3W8,A4E,A4G4,A4G7,A4G9,A7E1,BHH,BHH1,C1E,C1E1,C2E,C2E1,C3E,C3E1,C4E,C4E1,EHHB,E1G7,E2G7,NBL1,N1,N1D,N1E1,N1E2,N1E7,N1J1,N1R,N1T8,N1T9,N1U,N1W,N1W1,N1W2,N1W7,N1W8,N1W9,N2,N2D,N2E,N2E1,N2E2,N2E3,N2E7,N2E8,N2E9,N2U,N3T8,N3T9,N3U,N3V,N3W8,N3W9,N7A1,N7S1,S1E1,S1G4,S2E,S2E1,S2E2,S2E3,S2G7,S3E9,S3G9,S4E4,S4E9,S4G4,S4G9
12	93500-05016-0A	SCREW, PAN, 5X16 .....	1	1	1	1	-	1	1	-	-	A1A,A1AW,A1C,A1E,A1E7,A1E8,A1G7,A1G9,A1J,A1M,A1P,A1U,A1W2,A1W7,A2A,A2A9,A2C,A2E,A2E4,A2E7,A2E8,A2E9,A2G4,A2G7,A2G9,A2U,A3E,A3E7,A3E9,A3G9,A3T9,A3W7,A3W8,A4E,A4G4,A4G7,A4G9,A7E1,C1E,C1E1,C2E,C2E1,C3E,C3E1,C4E,C4E1,E1G7,E2G7,NBL1,N1,N1D,N1E1,N1E2,N1E7,N1J1,N1R,N1T8,N1T9,N1U,N1W,N1W1,N1W2,N1W7,N1W8,N1W9,N2,N2D,N2E,N2E1,N2E2,N2E3,N2E7,N2E8,N2E9,N2U,N3T8,N3T9,N3U,N3V,N3W8,N3W9,N7A1,N7S1,S1G4,S2E2,S2E3,S3E9,S3G9,S4E4,S4E9,S4G4,S4G9
			-	-	-	-	1	-	-	-	-	

Ref. No.	Part No.	Description	Reqd. QTY								Serial No.	Parts catalogue code
			GCV 160	GCV 160 A	GCV 160 AO	GCV 160 E	GCV 160 LE	GCV 160 LA	GCV 160 LAO			
13	94050-06000	NUT, FLANGE, 6MM .....	1	1	1	1	-	1	1	-----	-----	A1A,A1AS,A1AW,A1C,A1E,A1E7,A1E8,A1G7,A1G9,A1J,A1M A1P,A1U,A1W2,A1W7,A2A,A2A9,A2C,A2E,A2E4,A2E7,A2E8 A2E9,A2G4,A2G7,A2G9,A2U,A3E,A3E7,A3E9,A3G9,A3T9 A3W7,A3W8,A4E,A4G4,A4G7,A4G9,A7E1,BHH,BHH1,C1E C1E1,C2E,C2E1,C3E,C3E1,C4E,C4E1,EHBB,E1G7,E2G7 NBL1,N1,N1D,N1E1,N1E2,N1E7,N1J1,N1R,N1T8,N1T9,N1U N1W,N1W1,N1W2,N1W7,N1W8,N1W9,N2,N2D,N2E,N2E1,N2E2 N2E3,N2E7,N2E8,N2E9,N2U,N3T8,N3T9,N3U,N3V,N3W8 N3W9,N7A1,N7S1,S1E1,S1G4,S2E,S2E1,S2E2,S2E3,S2G7 S3E9,S3G9,S4E4,S4E9,S4G4,S4G9
			-	-	-	-	1	-	-	-----	-----	N1AF,R3A,S1A,S1M,S3A,S3H
14	35120-ZL8-003	SWITCH ASSY., ENGINE STOP (N.O)	1	1	1	1	1	1	1	-----	-----	BHH,BHH1,NBL1,N1D,N1E1,N1E2,N1E7,N1J1,N1R,N1T8 N1T9,N1U,N1W,N1W1,N1W2,N1W7,N1W8,N1W9,N2D,N2E,N2E1 N2E2,N2E3,N2E7,N2E8,N2E9,N2U,N3T8,N3T9,N3U,N3V N3W8,N3W9,N7A1,N7S1,S1G4
15	93892-04012-00	SCREW-WASHER, 4X12 .....	1	1	1	1	1	1	1	-----	-----	BHH,BHH1,NBL1,N1D,N1E1,N1E2,N1E7,N1J1,N1R,N1U,N1W N1W1,N1W2,N1W7,N1W8,N1W9,N2D,N2E,N2E1,N2E2,N2E3 N2E7,N2E8,N2E9,N2U,N3U,N3V,N7A1,N7S1
			-	-	1	1	-	-	1	-----	-----	A1AW,N1T8,N1T9,N3T8,N3T9,N3W8,N3W9,S1G4
			-	-	1	-	-	-	1	-----	-----	A1A,A1E7,A1M,A2E7,S1A,S1M,S2G7,S3A,S3H
16	94103-04000	WASHER, PLAIN, 4MM .....	1	1	1	1	1	1	1	-----	-----	BHH,BHH1,NBL1,N1D,N1E1,N1E2,N1E7,N1J1,N1R,N1U,N1W N1W1,N1W2,N1W7,N1W8,N1W9,N2D,N2E,N2E1,N2E2,N2E3 N2E7,N2E8,N2E9,N2U,N3U,N3V,N7A1,N7S1
			-	-	1	1	-	-	1	-----	-----	A1AW,N1T8,N1T9,N3T8,N3T9,N3W8,N3W9,S1G4
			-	-	1	-	-	-	1	-----	-----	A1A,A1E7,A1M,A2E7,S1A,S1M,S2G7,S3A,S3H
17	16584-883-300	SPRING, CONTROL ADJUSTING ...	1	1	1	1	-	1	-	-----	-----	A1E7,A1E8,A1G7,A1G9,A1W7,A2A9,A2E7,A2E8,A2E9,A2G4 A2G7,A2G9,A3E7,A3E9,A3G9,A3T9,A3W7,A3W8,A4G4,A4G7 A4G9,A7E1,BHH1,C1E,C1E1,C2E,C2E1,C3E,C3E1,C4E,C4E1 E1G7,E2G7,N1E7,N1R,N1T8,N1T9,N1W7,N1W8,N1W9,N2E7 N2E8,N2E9,N3T8,N3T9,N3W8,N3W9,N7A1,S1G4,S2E3,S3G9 S4G4,S4G9
			-	1	-	-	-	-	-	-----	-----	S2G7
			-	-	-	-	1	-	-	-----	-----	N7S1
18	16599-ZG1-M10	COLLAR, STOPPER .....	1	1	1	1	-	1	-	-----	-----	A1E7,A1E8,A1G7,A1G9,A1W7,A2A9,A2E7,A2E8,A2E9,A2G4 A2G7,A2G9,A3E7,A3E9,A3G9,A3T9,A3W7,A3W8,A4G4,A4G7 A4G9,A7E1,BHH1,C1E,C1E1,C2E,C2E1,C3E,C3E1,C4E,C4E1 E1G7,E2G7,N1E7,N1T8,N1T9,N1W7,N1W8,N1W9,N2E7,N2E8 N2E9,N3T8,N3T9,N3W8,N3W9,N7A1,S1G4,S2E3,S3G9,S4G4 S4G9
			-	1	-	-	-	-	-	-----	-----	S2G7
			-	-	-	-	1	-	-	-----	-----	N7S1
19	90016-ZE7-W00	SCREW, RECESSED, 5X28 .....	1	1	1	1	-	1	-	-----	-----	N7S1 A1E7,A1E8,A1G7,A1G9,A1W7,A2A9,A2E7,A2E8,A2E9,A2G4 A2G7,A2G9,A3E7,A3E9,A3G9,A3T9,A3W7,A3W8,A4G4,A4G7 A4G9,A7E1,BHH1,C1E,C1E1,C2E,C2E1,C3E,C3E1,C4E,C4E1 E1G7,E2G7,N1E7,N1T8,N1T9,N1W7,N1W8,N1W9,N2E7,N2E8 N2E9,N3T8,N3T9,N3W8,N3W9,N7A1,S1G4,S2E3,S3G9,S4G4 S4G9
			-	1	-	-	-	-	-	-----	-----	S2G7
			-	-	-	-	-	1	-	-----	-----	N7S1
			-	-	-	-	-	-	1	-----	-----	N1R
20	93500-05028-0A 16580-ZOM-780	SCREW, PAN, 5X28 .....	1	1	1	1	-	-	-	-----	-----	A7E1,N7A1,N7S1
		BASE COMP., CONTROL .....	-	-	-	1	1	-	-	-----	-----	2112488 A7E1,N7A1





Ref. No.	Part No.	Description	Reqd. QTY								Serial No.	Parts catalogue code
			GCV 160	GCV 160 A	GCV 160 A0	GCV 160 E	GCV 160 LE	GCV 160 LA	GCV 160 LA0			
20)	16580-Z0M-810	BASE COMP., CONTROL .....	-	1	-	-	-	-	-	-	----- S2G7	
	16580-Z0M-781	.....	-	-	-	1	1	-	-	2130839 ----- S1E1,S2E,S2E1		
	16580-Z0M-811	.....	-	-	-	-	1	-	-	----- A7E1,N7A1		
	16580-Z0M-782	.....	-	-	-	1	-	-	-	----- A7H1		
	16580-Z0M-812	.....	-	-	1	-	-	-	2130840 ----- S2E2,S3E9,S4E4,S4E9			
			-	-	-	-	-	-	1	----- S1E1,S2E,S2E1		
			-	-	-	-	-	-	-	----- N7A1,N7S1		
			-	-	-	-	-	-	-	----- S2G7		
21	16584-883-300	SPRING, CONTROL ADJUSTING ...	1	1	1	1	-	-	1	----- A7E1,N7A1,N7S1,S1E1,S2E,S2E1,S2E2,S2G7,S3E9,S4E4		
22	16599-ZG1-M10	COLLAR, STOPPER .....	1	1	1	1	-	-	1	----- S4E9		
			-	-	-	-	-	-	-	----- A7E1,N7A1,N7S1,S1E1,S2E,S2E1,S2E2,S2G7,S3E9,S4E4		
23	90016-ZE7-W00	SCREW, RECESSED, 5X28 .....	1	1	1	1	-	-	1	----- S4E9		
			-	-	-	-	1	-	-	----- A7E1,N7A1,N7S1,S1E1,S2E,S2E1,S2E2,S2G7,S3E9,S4E4		

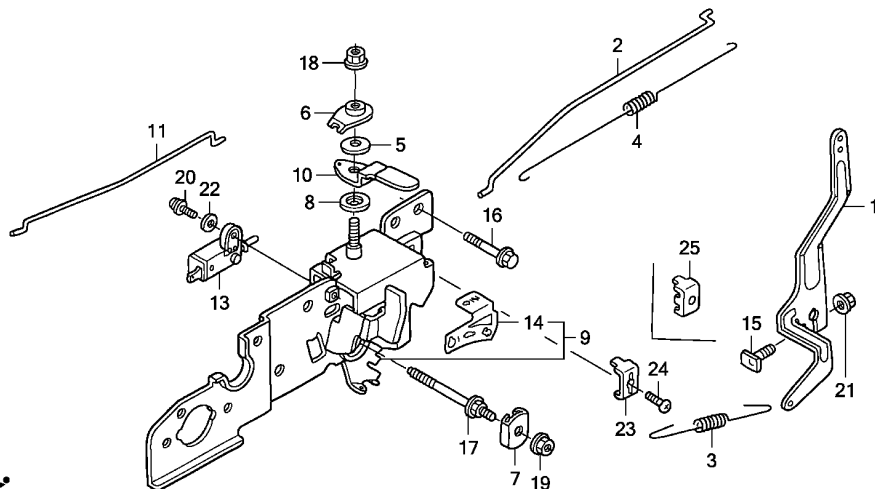


ZM00E2200H

Ref. No.	Part No.	Description	Reqd. QTY								Serial No.	Parts catalogue code
			GCV 160	GCV 160 A	GCV 160 A0	GCV 160 E	GCV 160 LE	GCV 160 LA	GCV 160 LA0			
24	16617-VG3-000	HOLDER, CABLE .....	1	-	-	-	-	-	-	2439634	-----	A1A,A1C,A1E,A1E7,A1E8,A1G7,A1P,A1W2,A1W7,A2A,A2C A2E,A2E4,A2E7,A2E8,A2E9,A2G7,A3E,A7E1,N1,N1D,N1E1 N1E2,N1E7,N1J1,N1R,N1U,N1W,N1W1,N1W2,N1W7,N1W8 N1W9,N2,N2E,N2E1,N2E3,N2E7,N2E8,N2E9,N2U,N3U,N3V N7A1
			-	1	1	1	-	1	1	-----	-----	A1A,A1E,A1G9,A1M,A1P,A2A9,A2G4,A3E,A3E9,A3G9,A3T9 A3W7,A3W8,A4G4,A4G7,A4G9,C1E,C1E1,C2E,C2E1,C3E C3E1,C4E,C4E1,E1G7,E2G7,NBL1,N1D,N1E1,N1E2,N1J1 N1R,N1T8,N1T9,N3T8,N3T9,N3U,N3W8,N3W9,N7S1,S1G4 S2E2,S2E3,S3E9,S3G9,S4E4,S4E9,S4G4,S4G9
			-	-	-	1	-	-	1	-----	-----	A1A,A1E7,A2E7,N1U,N2U,N3V,N7A1
			-	-	-	-	1	-	-	1239888	-----	A1E7,A1E8,A1G7,A1W7,A2E7,A2E8,A2E9,A2G7,A2G9,A3E7 A7E1,N1E7,N1W7,N1W8,N1W9,N2E7,N2E8,N2E9,N7A1
25	16576-891-000	HOLDER, CABLE .....	-	1	-	-	-	-	-	-----	-----	A1AS
26	90016-Z0A-V00	SCREW, RECESSED, 5X18 .....	-	1	-	-	-	-	-	-----	-----	A1AS
27	16617-Z0L-800	HOLDER, CABLE .....	-	1	1	-	-	1	1	-----	-----	BHH,BHH1,EHHB
28	93500-05008-0A	SCREW, PAN, 5X8 .....	-	1	1	-	-	1	1	-----	-----	BHH,BHH1,EHHB
29	16563-Z1L-850	SPRING, IDLE GOVERNOR .....	-	-	-	1	-	-	-	-----	-----	S1G4,S2E3,S3G9,S4G4,S4G9



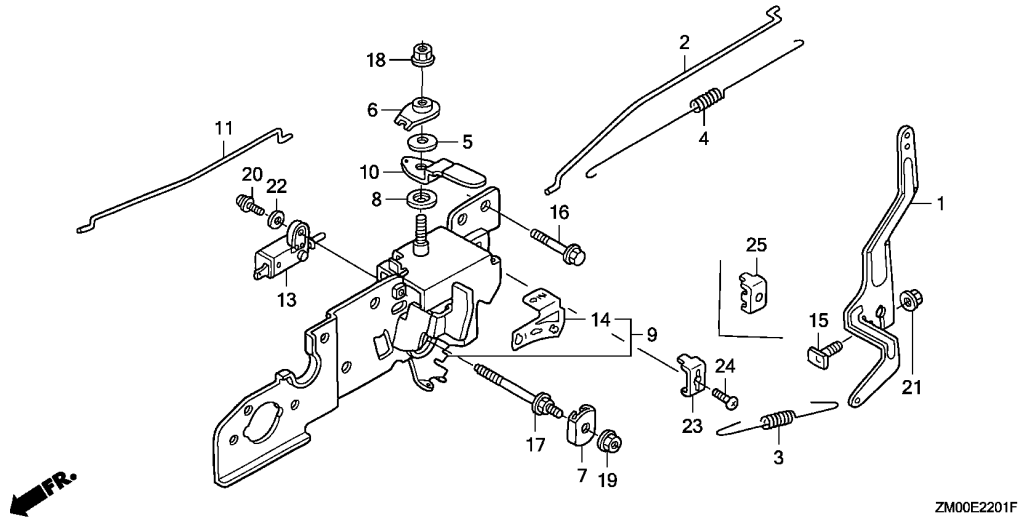




Ref. No.	L.O.N.	(Relative ref. Number) Description	F.R.T.
1	1161A0	ARM, GOVERNOR .....	0.2
2	1161B1	ROD, GOVERNOR .....	0.2
3	1161C5	SPRING, GOVERNOR .....	0.1
4	1161C2	SPRING, THROTTLE RETURN .....	0.2
9	1161A2	BASE, CONTROL .....	0.3
11	8101R5	ROD, GOVERNOR CHOKE CONTROL ..	0.3
13	6151K1	SWITCH, THROTTLE/GOVERNOR ENGINE STOP .....	0.2

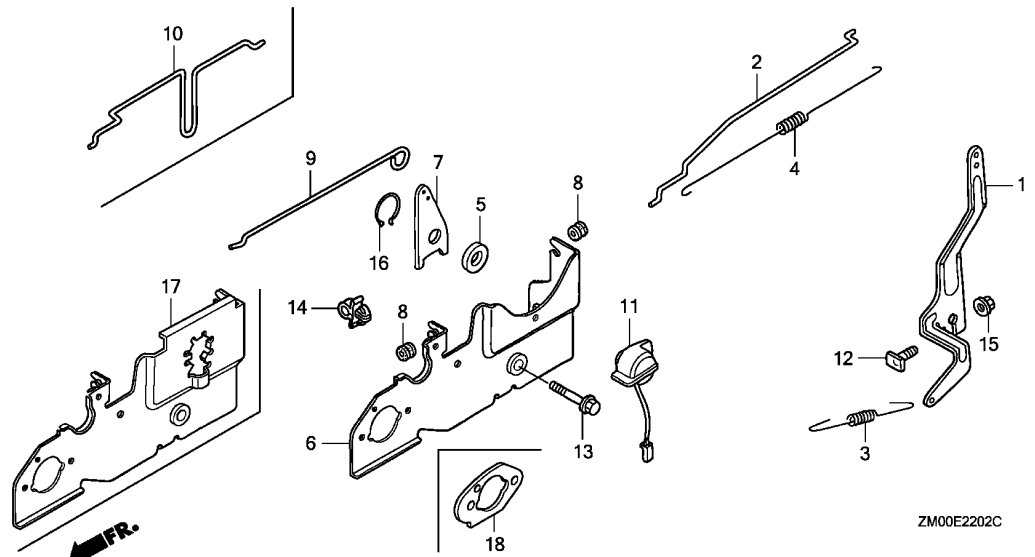
ZM00E2201F

Ref. No.	Part No.	Description	Reqd. QTY								Serial No.	Parts catalogue code
			GCV 160	GCV 160 A	GCV 160 AO	GCV 160 E	GCV 160 LE	GCV 160 LA	GCV 160 LA0	GCV 160 LA0		
1	16551-ZM0-000	ARM, GOVERNOR .....	1	-	-	-	-	-	-	-	2299007	A2R
	16551-ZM0-010	.....	1	-	-	-	-	-	-	-	2299008	A2R
2	16555-ZM0-000	ROD, GOVERNOR .....	1	-	-	-	-	-	-	-	-	A2R,N1A,N1C,N1L,N5A,N5C
	16555-Z0L-800	.....	-	1	-	-	-	-	-	-	-	A2R
			-	1	-	-	-	-	-	-	-	A2R,N1A,N1C,N5A,N5C
			-	1	-	-	-	-	-	-	6349022	N1L
			-	1	-	-	-	-	-	-	6349022	A2R,N1A
	16555-Z0L-801	.....	-	1	-	-	-	-	-	-	6349023	N1L
			-	1	-	-	-	-	-	-	6349023	A2R,N1A,N1L
			-	1	-	-	-	-	-	-	6349023	A2R,N1A
3	16561-ZM0-V30	SPRING, GOVERNOR .....	1	1	1	1	-	1	1	-	-	A2R,N1A,N1C,N1L,N5A,N5C
4	16562-ZM0-000	SPRING, THROTTLE RETURN .....	1	1	1	1	-	1	1	-	-	A2R,N1A,N1C,N1L,N5A,N5C
5	16574-ZE1-000	SPRING, LEVER .....	1	1	1	1	-	1	1	-	-	A2R,N1A,N1C,N1L,N5A,N5C
6	16575-ZE2-W00	WASHER, CONTROL LEVER .....	1	1	1	1	-	1	1	-	-	A2R,N1A,N1C,N1L,N5A,N5C
7	16577-ZM0-V30	PLATE, LEVER CENTER .....	1	1	1	1	-	1	1	-	-	A2R,N1A,N1C,N1L,N5A,N5C
8	16578-ZE1-000	SPACER, CONTROL LEVER .....	1	1	1	1	-	1	1	-	-	A2R,N1A,N1C,N1L,N5A,N5C
9	16580-ZM0-V30	BASE COMP., CONTROL (###) ..	1	1	-	1	-	1	-	-	-	A2R,N1A,N1C,N1L,N5A,N5C
	16580-ZM0-V31	.....	-	-	1	-	-	-	1	-	-	A2R,N1A,N1L
10	16612-ZM0-V30	LEVER, CHOKE (###) .....	1	1	1	1	-	1	1	-	-	A2R,N1A,N1C,N1L,N5A,N5C
11	16674-ZM0-V30	ROD, CHOKE .....	1	1	1	1	-	1	1	-	-	A2R,N1A,N1C,N1L,N5A,N5C
13	35120-ZL8-003	SWITCH ASSY., ENGINE STOP (N.O)	1	1	1	1	-	1	1	-	-	A2R,N1A,N1C,N1L,N5A,N5C
14	87532-ZM0-V30	MARK, THROTTLE INDICATION ...	1	1	1	1	-	1	1	-	-	A2R,N1A,N1C,N1L,N5A,N5C
15	90015-ZE5-010	BOLT, GOVERNOR ARM .....	1	1	1	1	-	1	1	-	-	A2R,N1A,N1C,N1L,N5A,N5C
16	90017-883-000	BOLT, FLANGE, 6X32 .....	1	1	1	1	-	1	1	-	-	A2R,N1A,N1C,N1L,N5A,N5C
17	90016-ZM0-V30	BOLT, SPECIAL, 6X45 .....	1	1	1	1	-	1	1	-	-	A2R,N1A,N1C,N1L,N5A,N5C



Ref. No.	Part No.	Description	Reqd. QTY								Serial No.	Parts catalogue code
			GCV 160	GCV 160 A	GCV 160 A0	GCV 160 E	GCV 160 LE	GCV 160 LA	GCV 160 LA0			
18	90114-SA0-000	NUT, SELF-LOCK, 6MM .....	1	1	1	1	-	1	1	-----	-----	A2R,N1A,N1C,N1L,N5A,N5C
19	90136-SM4-901	NUT, SELF-LOCK, 5MM .....	1	1	1	1	-	1	1	-----	-----	A2R,N1A,N1C,N1L,N5A,N5C
20	93892-04012-00	SCREW-WASHER, 4X12 .....	1	1	1	1	-	1	1	-----	-----	A2R,N1A,N1C,N1L,N5A,N5C
21	94050-06000	NUT, FLANGE, 6MM .....	1	1	1	1	-	1	1	-----	-----	A2R,N1A,N1C,N1L,N5A,N5C
22	94103-04000	WASHER, PLAIN, 4MM .....	1	1	1	1	-	1	1	-----	-----	A2R,N1A,N1C,N1L,N5A,N5C
23	16576-891-000	HOLDER, CABLE .....	-	1	-	-	-	-	-	-----	-----	N1A,N1C,N5A,N5C
24	93500-05016-0A	SCREW, PAN, 5X16 .....	-	1	1	-	-	1	1	-----	-----	N1A,N1C,N1L,N5A,N5C
25	16617-VG3-000	HOLDER, CABLE .....	-	-	-	-	-	-	-	-----	-----	N1L
								1	1	-----	-----	N1A





Ref. No.	L.O.N.	(Relative ref. Number) Description	F.R.T.
1	1161A0	ARM, GOVERNOR .....	0.2
2	1161B1	ROD, GOVERNOR .....	0.2
3	1161C5	SPRING, GOVERNOR .....	0.1
4	1161C2	SPRING, THROTTLE RETURN .....	0.2
6	1161A2	BASE, CONTROL .....	0.3
7	8101U5	LEVER, GOVERNOR CHOKE CONTROL (10)	0.3
9	8101R5	ROD, GOVERNOR CHOKE CONTROL ..	0.3
11	6151N1	SWITCH, THROTTLE/GOVERNOR ENGINE STOP(A) .....	0.1

Ref. No.	Part No.	Description	Reqd. QTY								Serial No.	Parts catalogue code
			GCV 160	GCV 160 A	GCV 160 A0	GCV 160 E	GCV 160 LE	GCV 160 LA	GCV 160 LA0			
1	16551-ZM0-010	ARM, GOVERNOR .....	-	1	1	-	-	1	1	-----	A1AE,A1AF,A3A,E1A2,E1A4,E5A4,N1AF,N5AF,N5MF,N5R,RTL1,R1A,R3A1,STA1,STL1,S1A1,S3A2,S3H2	
2	16555-Z0L-800	ROD, GOVERNOR .....	-	1	-	-	-	1	-	-----	R3A,S1A,S1M,S3A,S3H	
	16555-Z0L-801	.....	-	1	-	-	-	-	-	-----	A1AE,A3A,E1A2,E1A4,E5A4,RTL1,R1A,R3A,R3A1,STA1,STL1,S1A1,S3A2	
		.....	-	1	-	-	-	-	-	-----	A1AF,N1AF,N5AF,N5MF,N5R,S1A,S1M,S3A,S3H	
		.....	-	1	-	-	-	-	-	-----	6349022 S3H2	
		.....	-	1	-	-	-	1	-	-----	6349022 A1AF,N1AF,N5AF,N5MF,N5R,S1A,S1M,S3A,S3H	
		.....	-	1	-	-	-	1	-	-----	6349023 S3H2	
		.....	-	1	-	-	-	1	-	-----	A1AF,E1A2,N1AF,N5AF,N5MF,N5R,S3H2	
3	16561-ZM0-000	SPRING, GOVERNOR .....	-	1	-	-	-	1	-	-----	A1AF,N1AF,N5AF,N5MF,N5R,S1A,S1M,S3A,S3H	
		.....	-	1	-	-	-	1	-	-----	E1A2	
		.....	-	1	-	-	-	1	-	-----	N1AF,N5AF	
		.....	-	1	-	-	-	1	-	-----	A1AF,R3A,S1A,S1M,S3A,S3H	
		.....	-	1	1	-	-	1	1	-----	A1AE,A1AF,A3A,RTL1,R1A,R3A1,STA1,STL1,S1A1,S3A2,S3H2	
		.....	-	1	-	-	-	1	-	-----	R3A,S1A,S1M,S3A,S3H	
		.....	-	1	-	-	-	1	-	-----	E1A2	
		.....	-	1	-	-	-	1	1	-----	E1A4,E5A4,N5MF,N5R	
4	16562-ZM0-000	SPRING, THROTTLE RETURN .....	-	1	1	-	-	1	1	-----	N1AF,N5AF	
		.....	-	1	-	-	-	1	-	-----	A1AE,A1AF,A3A,N1AF,N5AF,N5MF,N5R,RTL1,R1A,R3A1,STA1,STL1,S1A1,S3A2,S3H2	
		.....	-	1	-	-	-	1	-	-----	R3A,S1A,S1M,S3A,S3H	
		.....	-	1	-	-	-	1	1	-----	E1A2	
5	16578-Z0L-810	SPACER, CONTROL LEVER .....	-	1	-	-	-	1	1	-----	A1AE,A1AF,A3A,E1A2	

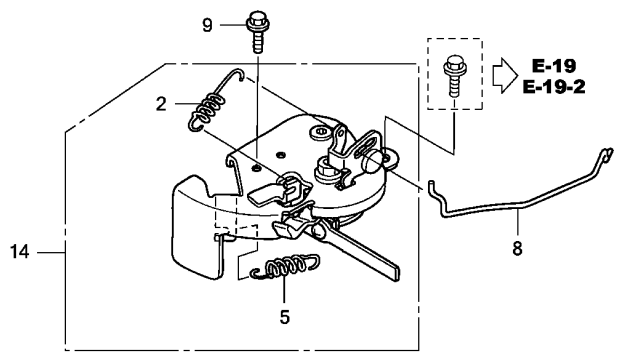
Ref. No.	Part No.	Description	Reqd. QTY								Serial No.	Parts catalogue code
			GCV 160	GCV 160 A	GCV 160 AO	GCV 160 E	GCV 160 LE	GCV 160 LA	GCV 160 LAO			
6	16580-ZOL-810	BASE COMP., CONTROL .....	-	1	1	-	-	1	1	-----	-----	A1AE,A1AF,A3A,E1A2,RTL1,R1A,R3A1,STA1,STL1,S1A1 S3A2,S3H2
			-	1	-	-	-	1	-	-----	-----	R3A
			-	1	-	-	-	-	-	-----	-----	S1A,S1M,S3A,S3H
	16580-ZOL-830	.....	-	1	-	-	-	-	-	-----	-----	6901760 S1A,S1M,S3A,S3H
7	16612-ZOL-810	LEVER, CHOKE .....	-	1	-	-	-	1	1	-----	-----	E1A4,E5A4
8	16613-893-000	GROMMET, CHOKE ROD .....	-	1	-	-	-	1	1	-----	-----	A1AE,A1AF,A3A,E1A2
			-	2	-	-	-	2	2	-----	-----	A1AE,A1AF,A3A,E1A2
9	16674-ZOL-800	ROD, CHOKE .....	-	1	-	-	-	1	1	-----	-----	E1A4,E5A4,N1AF,N5AF,N5MF,N5R
10	16674-ZOL-810	ROD, CHOKE .....	-	1	-	-	-	1	1	-----	-----	E1A4,E5A4,N1AF,N5AF,N5MF,N5R
			-	1	-	-	-	1	1	-----	-----	A1AE,A1AF,A3A,E1A2
11	35120-ZOL-801	SWITCH ASSY., ENGINE STOP ...	-	1	-	-	-	-	-	-----	-----	N1AF,N5AF,N5MF,N5R
			-	-	-	-	-	1	-	-----	-----	6702082 N1AF,N5AF,N5MF,N5R
	35120-ZOL-901	.....	-	-	-	-	-	1	-	-----	-----	6702083 N1AF,N5AF,N5MF,N5R
			-	-	-	-	-	-	1	-----	-----	N1AF,N5AF,N5MF,N5R
12	90015-ZE5-010	BOLT, GOVERNOR ARM .....	-	1	1	-	-	1	1	-----	-----	A1AE,A1AF,A3A,E1A2,E1A4,E5A4,N1AF,N5AF,N5MF,N5R RTL1,R1A,R3A1,STA1,STL1,S1A1,S3A2,S3H2
			-	1	-	-	-	1	-	-----	-----	R3A,S1A,S1M,S3A,S3H
13	90016-ZE8-000	BOLT, FLANGE, 6X45(CT200) ...	-	1	1	-	-	1	1	-----	-----	A1AE,A1AF,A3A,E1A2,E1A4,E5A4,N1AF,N5AF,N5MF,N5R RTL1,R1A,R3A1,STA1,STL1,S1A1,S3A2,S3H2
			-	1	-	-	-	1	-	-----	-----	R3A
			-	1	-	-	-	-	-	-----	-----	S1A,S1M,S3A,S3H
			-	-	-	-	-	1	-	-----	-----	6901760 S1A,S1M,S3A,S3H
14	90681-959-003	CLIP A, CABLE (NIFCO) (3.8MM BLACK)	-	1	-	-	-	1	1	-----	-----	N1AF,N5AF,N5MF,N5R
			-	1	-	-	-	-	-	-----	-----	E1A2
	51125-ZOL-003	HOLDER, WIRE (FASTEX) .....	-	-	-	-	-	1	1	-----	-----	N1AF,N5AF,N5MF,N5R
15	94050-06000	NUT, FLANGE, 6MM .....	-	1	1	-	-	1	1	-----	-----	A1AE,A1AF,A3A,E1A2,E1A4,E5A4,N1AF,N5AF,N5MF,N5R RTL1,R1A,R3A1,STA1,STL1,S1A1,S3A2,S3H2
			-	1	-	-	-	1	-	-----	-----	R3A,S1A,S1M,S3A,S3H
16	94511-14000	CIRCLIP, EXTERNAL, 14MM .....	-	1	-	-	-	1	1	-----	-----	A1AE,A1AF,A3A,E1A2
17	16580-ZOL-800	BASE COMP., CONTROL .....	-	1	-	-	-	1	1	-----	-----	N1AF,N5AF,N5MF,N5R
18	16221-ZOL-900	SPACER, CARBURETOR .....	-	-	-	-	-	1	-	-----	-----	6901761 S1A,S1M,S3A,S3H



E-22-3

CHOKE BASE

I11



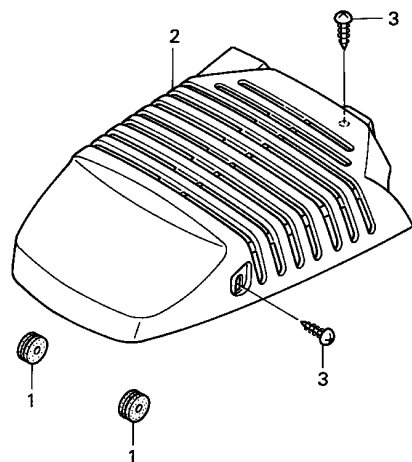
Ref. No.	L.O.N.	(Relative ref. Number) Description	F.R.T.
8	8101BD	ROD, CHOKE BASE STOP .....	0.2
14	8101V7	LEVER, CHOKE BASE .....	0.3

ZM00E2203D

FR.

2

Ref. No.	Part No.	Description	Reqd. QTY								Serial No.	Parts catalogue code
			GCV 160	GCV 160 A	GCV 160 A0	GCV 160 E	GCV 160 LE	GCV 160 LA	GCV 160 LA0			
2	16592-ZJ1-000	SPRING, CABLE RETURN .....	-	1	-	-	-	-	-	-	4361726	RTL1,STA1,STL1,S1A,S1A1,S3A,S3H2 S1E1,S2E,S2E1
	16592-Z2D-800	SPRING, RETURN .....	-	1	-	-	-	1	1	-	4361727	R1A,R3A,R3A1 RTL1,STA1,STL1,S1A,S1A1,S3A,S3H2 S1A,S3A,S3H2
5	16614-Z0L-800	SPRING, CHOKE LEVER .....	-	1	-	-	-	1	1	-	4361726	RTL1,STA1,STL1,S1A,S1A1,S3A,S3H2 S1E1,S2E,S2E1
	16614-Z2D-800	.....	-	1	-	-	-	1	1	-	4361727	R1A,R3A,R3A1 RTL1,STA1,STL1,S1A,S1A1,S3A,S3H2 S1A,S3A,S3H2
8	16632-Z0L-800	ROD, STOP .....	-	1	-	1	-	1	-	-	-	RTL1,R1A,R3A,R3A1,STA1,STL1,S1A,S1A1,S1E1,S2E,S2E1 S3A,S3H2
	16632-Z0L-801	.....	-	-	1	-	-	-	1	-	-	R3A,S1A,S3A,S3H2
9	90022-888-000	BOLT, FLANGE, 6X20 .....	-	1	-	1	-	-	-	-	-	RTL1,R1A,R3A,R3A1,STA1,STL1,S1A,S1A1,S1E1,S2E,S2E1 S3A,S3H2
	90022-888-010	BOLT, FLANGE, 6X20(CT200) ...	-	-	1	-	-	1	1	-	-	R3A,S1A,S3A,S3H2
14	16610-Z0L-800	LEVER ASSY., CHOKE .....	-	1	-	-	-	-	-	-	4361726	RTL1,STA1,STL1,S1A,S1A1,S3A,S3H2 S1E1,S2E,S2E1
	16610-Z2D-801	.....	-	1	-	-	-	1	1	-	4361727	R1A,R3A,R3A1 RTL1,STA1,STL1,S1A,S1A1,S3A,S3H2 S1A,S3A,S3H2



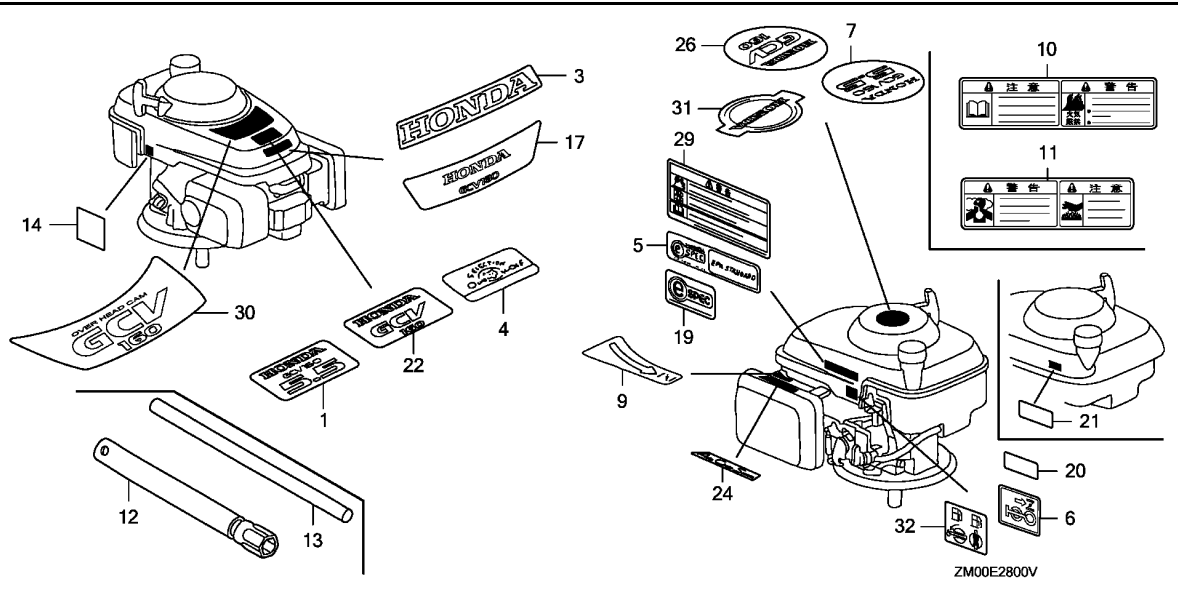
ZM00-E2700

Ref. No.	L.O.N.	(Relative ref. Number) Description	F.R.T.
----------	--------	------------------------------------	--------

2	1111D6	COVER, ENGINE TOP .....	0.1
---	--------	-------------------------	-----

Ref. No.	Part No.	Description	Reqd. QTY								Serial No.	Parts catalogue code
			GCV 160	GCV 160 A	GCV 160 A0	GCV 160 E	GCV 160 LE	GCV 160 LA	GCV 160 LA0			
1	16613-883-610	GROMMET, CHOKE ROD .....	-	2	2	2	-	-	-	-	-	A1G9,A2A9,A2G9,A3E9,A3G9,A4G9,C1E1,C2E1,C3E1,C4E1,NBL1,RTL1,R3A1,STA1,STL1,S1A1,S1E1,S2E1,S2E2,S2E3,S3E9,S3G9,S4E9,S4G9
2	19721-ZOL-000ZA	COVER, TOP	-	1	1	-	-	-	-	-	-	C1E1,C2E1,C3E1,C4E1,NBL1,RTL1,R3A1,STA1,STL1,S1A1
	19721-ZOL-000ZB	*NH1*.....BLACK	-	1	1	-	-	-	-	-	-	C1E1,C2E1
	19721-ZOL-000ZC	*R280R*.....POWER RED	-	1	1	-	-	-	-	-	-	C1E1,C2E1
	19721-ZOM-000ZA	*NH1*.....BLACK	-	-	-	1	-	-	-	-	-	A1G9,A2A9,A2G9,A3E9,A3G9,A4G9,S1E1,S2E1,S2E2,S2E3,S3E9,S3G9,S4E9,S4G9
	19721-ZOM-000ZB	*NH246*.....LOOSEY GRAY	-	-	-	1	-	-	-	-	-	A2G9,S2E1,S2E2,S2E3,S3E9,S3G9,S4E9,S4G9
	19721-ZOM-000ZD	*R8*.....BRIGHT RED	-	-	-	1	-	-	-	-	1196409	A2G9,S2E1
	19721-ZOM-000ZE	*R280*.....POWER RED	-	-	-	1	-	-	-	-	1196410	A1G9,A4G9,S2E2,S2E3,S3E9,S3G9,S4E9,S4G9
			-	-	-	1	-	-	-	-	-	A2G9,S2E1
3	90137-SH3-000	SCREW, TAPPING, 4X16 .....	-	3	3	3	-	-	-	-	-	A1G9,A2A9,A2G9,A3E9,A3G9,A4G9,C1E1,C2E1,C3E1,C4E1,NBL1,RTL1,R3A1,STA1,STL1,S1E1,S2E1,S2E2,S2E3,S3E9,S3G9,S4E9,S4G9
	93903-24480	.....	-	3	-	-	-	-	-	-	-	S1A1





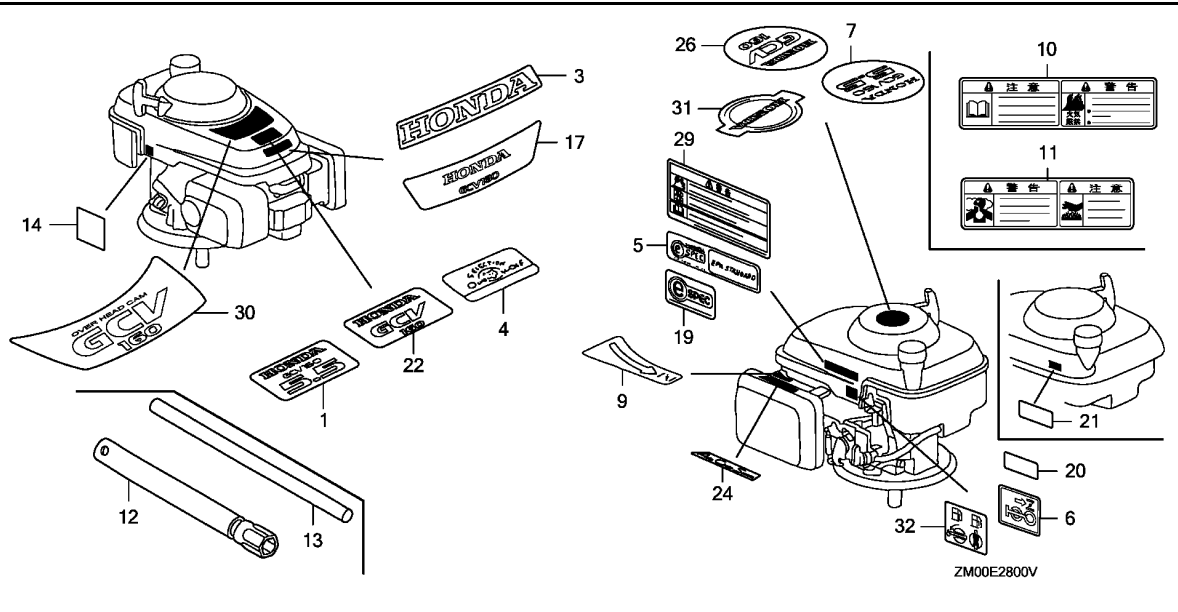
Ref. No.	L.O.N.	(Relative ref. Number) Description	F.R.T.
NO INFORMATION .....			

Ref. No.	Part No.	Description	Reqd. QTY								Serial No.	Parts catalogue code
			GCV 160 A	GCV 160 AO	GCV 160 E	GCV 160 LE	GCV 160 LA	GCV 160 LAO				
1	87101-ZM0-000	MARK, EMBLEM (GCV160 5.5) ...	1	1	-	-	-	-	-	-	-	A1E8,A1G7,A1J,A2A,A2E8,A2E9,A2G7,N1C,N1E7,N1W7 N2E7,N2E8,N2E9,N5C,S1A1 A1A,A1E7,A2E7,A2R,N1R 1212768 N2U 2414991 2425659 N1W9 A1C,A2C A1AF,A2R,E1A2,N1A,N1AF,N5AF,N5MF,S1A A1A,A1AF,A1AS,A1E7,A1M,A2E7,A2R,E2G7,N1A,N1AF,N1L N1R,N1U,N5A,N5AF,N5MF,S1A,S2G7,S3A2 2178057 S1E1 2189259 A2A9,A2R,N1D,N1R A1C,A2C,N1J1,N1U 2425660 N1W9 A1E,A3E,E1A2,E1A4,E1G7,E5A4,N1W9,R1A,R3A1 N1E1 2178057 A1E7,A1E8,A1G7,A1G9,A2E7,A2E8,A2E9,A2G7,A2G9,A3E7 A3W8,N1E1,N1E2,N1E7,N1T8,N1T9,N1W7,N2E7,N2E8,N2E9 N3T8,N3T9,S2E,S2E1 2189259 A3E9 2178058 2189259 A1E7,A1E8,A1G7,A1G9,A2E7,A2E8,A2E9,A2G7,A2G9,A3E7 A3W8,N1E1,N1E2,N1E7,N1T8,N1T9,N1W7,N2E7,N2E8,N2E9 N3T8,N3T9,S1E1,S2E,S2E1
	87101-ZM0-010	.....	-	1	-	-	-	-	1	-	-	
	87101-ZM0-800	.....	-	-	-	1	-	-	-	-	-	
3	87531-ZM0-J00	MARK, HONDA .....	1	-	-	-	-	-	-	-	-	2425659 A1P
	87531-Z0Y-M11ZA	MARK, HONDA *TYPE1*(RED) .....	-	-	-	-	-	1	1	-	-	N5R
	87531-Z0Y-M11ZB	MARK, HONDA *TYPE2*(BLACK) ..	-	-	-	-	-	1	-	-	-	N5R
	87531-ZM0-J01	MARK, HONDA .....	1	-	-	-	-	-	-	2425660	-	A1P
			-	-	-	1	-	-	-	-	-	A1P

Ref. No.	Part No.	Description	Reqd. QTY								Serial No.	Parts catalogue code
			GCV 160	GCV 160 A	GCV 160 A0	GCV 160 E	GCV 160 LE	GCV 160 LA	GCV 160 LA0			
4	87101-ZM0-V50	EMBLEM (WOLF) .....	1	-	-	-	-	-	-	-	-----	2414990 N1W9
			-	1	-	-	-	-	-	-	-----	2324321 A1W7,N1W8
			-	-	-	1	-	-	-	-	-----	1284378 A1W7,N1W8
	87101-ZM0-V51	.....	1	-	-	-	-	-	-	-	-----	A1W2,A1W7,N1W1,N1W2,N1W8
			-	1	-	-	-	-	-	-	-----	2324322 A1W7,N1W8
			-	-	-	1	-	-	-	-	-----	1284379 A1W7,N1W8
	87101-ZOM-U30	MARK, EMBLEM (WOLF) .....	-	-	-	1	-	-	-	-	-----	A3W7,N3W8,N3W9
			-	-	-	1	-	-	-	-	-----	1344980 A1W7,N1W8,N1W9
5	87135-ZE2-010	LABEL, E-SPEC (EPA STANDARD) (15.5X60.0)	1	-	-	-	-	-	-	-	-----	2436351 A1E,A1E7,A1E8,A1G7,A1P,A1W2,A1W7,A2E,A2E4,A2E7 A2E8,A2E9,A2G7,A3E,A7E1,N1,N1D,N1E1,N1E2,N1E7,N1R N1U,N1W,N1W1,N1W2,N1W7,N1W8,N1W9,N2,N2E,N2E1,N2E3 N2E7,N2E8,N2E9,N2U,N3U,N3V
6	87528-ZL8-000	MARK, CHOKE .....	-	1	-	-	-	1	1	-	-----	E1A4,E5A4,N1AF,N5AF,N5MF,N5R
7	87101-ZOL-780	MARK, EMBLEM (GCV160 5.5) ...	1	1	-	-	-	1	1	-	-----	A7E1,N7A1,N7S1
			-	-	-	1	-	-	-	-	-----	2189259 N7A1
			-	-	-	1	-	-	-	-	-----	2674958 A7E1
	87101-ZOL-800	.....	-	-	-	1	-	-	-	-	-----	2674959 A7E1
	87101-ZOL-801	.....	-	-	-	1	-	-	-	-	-----	2189259 N7A1
9	87528-ZOL-800	MARK, CHOKE INDICATION .....	-	1	1	1	-	1	1	-	-----	STA1,S1A,S1A1,S1E1,S2E,S2E1,S3H2
	87528-ZOL-V20	.....	-	1	-	-	-	1	1	-	-----	RTL1,R1A,R3A,R3A1,STL1,S3A
10	87520-ZL8-810	MARK A, COMBINATION (J) .....	1	-	-	1	-	-	-	-	-----	N1J1
11	87526-ZL8-810	MARK B, COMBINATION (J) .....	1	-	-	1	-	-	-	-	-----	N1J1
12	89218-ZE1-000	WRENCH COMP., SPARK PLUG .....	1	-	-	1	-	-	-	-	-----	N1J1
13	89219-805-000	HANDLE, BOX WRENCH .....	1	-	-	1	-	-	-	-	-----	N1J1
14	87594-VG3-010	MARK, OIL CAUTION .....	-	1	-	-	-	-	-	-	-----	NBL1,RTL1,R3A1,STA1,STL1
17	87102-Z1L-V51	MARK, EMBLEM (GCV160) .....	-	-	-	1	-	-	-	-	-----	2178057 A2G4
	87102-Z1L-V52	.....	-	-	-	1	-	-	-	-	-----	A4G4,S1G4,S4E4,S4G4
			-	-	-	1	-	-	-	-	-----	2178058 A2G4
19	87135-ZE2-020	LABEL, E-SPEC (15.5X27.5) ...	1	-	-	1	-	-	-	-	-----	N1J1
			1	-	-	-	-	-	-	-	-----	2436352 A1E,A1E7,A1E8,A1G7,A1P,A1W2,A1W7,A2E,A2E4,A2E7 A2E8,A2E9,A2G7,A3E,A7E1,N1,N1D,N1E1,N1E2,N1E7,N1R N1U,N1W,N1W1,N1W2,N1W7,N1W8,N1W9,N2,N2E,N2E1,N2E3 N2E7,N2E8,N2E9,N2U,N3U,N3V
			-	1	-	1	-	-	-	-	-----	A1E,A1P,A3E,N1D,N1E2
			-	1	-	-	-	-	-	-	-----	2175263 N1E1,N1R,N1U,N2U,N3U,N3V
			-	1	-	-	-	-	-	-	-----	2786632 A1E7,A1E8,A1W7,A2E7,A2E8,A2E9,A2G7,A7E1,N1E7,N1W7 N1W8,N1W9,N2E7,N2E8,N2E9
			-	-	-	1	-	-	-	-	-----	N1E1,N1R
			-	-	-	1	-	-	-	-	-----	1423175 A1E7,A1E8,A1G7,A1G9,A1W7,A2E7,A2E8,A2E9,A2G4,A2G7 A2G9,A3E7,A7E1,N1E7,N1T8,N1T9,N1W7,N1W8,N1W9,N2E7 N2E8,N2E9,S1E1,S2E,S2E1
20	87114-ZH7-810	LABEL, WARNING (NOT CERTIFIED FOR SALE)	-	1	1	-	-	-	-	-	-----	N1R,N1U,N2U,N3U,N3V
	87114-ZH7-820	.....	-	1	-	-	-	-	-	-	-----	4062255 A1AE,A1AF,A3A,N1AF,N5AF
			-	1	-	-	-	-	-	-	-----	4803407 S3A2,S3H

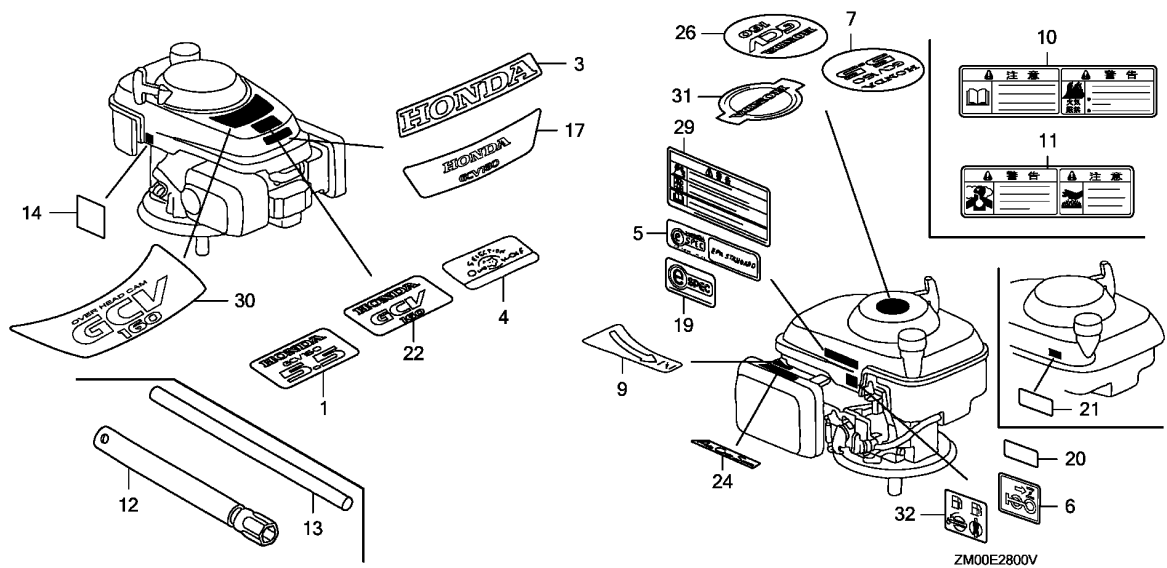






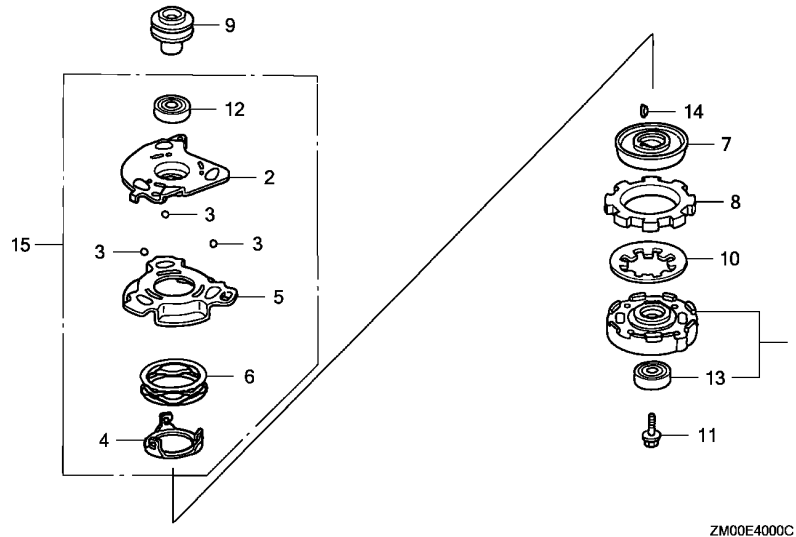
ZM00E2800V

Ref. No.	Part No.	Description	Reqd. QTY								Serial No.	Parts catalogue code	
			GCV 160 A	GCV 160 AO	GCV 160 E	GCV 160 LE	GCV 160 LA	GCV 160 LA0					
20)	87114-ZH7-840	LABEL, WARNING (NOT CERTIFIED FOR SALE)	-	1	1	-	-	-	-	-	-----	BHH1, C3E, C3E1, C4E, C4E1, S2G7	
			-	1	-	-	-	-	-	-	5125202	-----	A1E, A1E7, A1E8, A1M, A1W7, A2E7, A2E8, A2E9, A2G7, A3E, A7E1, N1E7, N1L, N1W7, N1W8, N1W9, N2E7, N2E8, N2E9, N7S1, S3H2
			-	1	-	-	-	-	-	-	8015580	-----	E1G7, E2G7
			-	-	1	1	-	-	-	-	-----	-----	A1M, A3G9, A3T9, A4G4, A4G7, A4G9, C1E, C1E1, C2E, C2E1, E2G7, N1L, S1G4, S2E2, S2E3, S3E9, S3G9, S3H2, S4E4, S4E9, S4G4, S4G9
			-	-	1	-	-	-	-	-	-----	-----	A1E7, A2E7
			-	-	-	1	-	-	-	-	1739042	-----	A1E7, A1E8, A1G7, A1W7, A2E7, A2E8, A2E9, A2G4, A2G7, A2G9, A3E7, A3E9, A3W7, A3W8, A7E1, N1E1, N1E2, N1E7, N1J1, N1T8, N1T9, N1W7, N1W8, N1W9, N2E7, N2E8, N2E9, N3T8, N3T9, N3W8, N3W9, S1E1, S2E, S2E1
	87114-ZH7-821	.....	-	1	-	-	1	1	1	-	-----	-----	A1A, A1AS, A1C, A2A, A2A9, A2C, A2R, A4A9, BHH, EHHB, E1A2, E1A4, E5A4, NBL1, N1A, N1C, N5A, N5C, N5MF, N5R, RTL1, R1A, R3A, R3A1, STA1, STL1, S1A, S1A1, S1M, S3A
			-	1	-	-	-	1	1	-	-----	-----	N7A1
			-	1	-	-	-	-	-	-	4062256	-----	A1AE, A1AF, A3A, N1AF, N5AF
			-	1	-	-	-	-	-	-	4803408	-----	S3A2, S3H
			-	-	-	1	-	-	-	-	2075803	-----	A2R
			-	-	-	-	-	1	1	-	-----	-----	A1AF, N1AF, N5AF, S3H
	87114-Z3E-000	.....	-	-	-	1	-	-	-	-	1764463	-----	N7A1
			-	-	-	-	1	1	1	-	-----	-----	A7H1, N7S1
			-	-	-	-	1	-	-	-	-----	-----	N7A1
	87114-ZH7-000	.....	-	-	1	-	-	-	-	-	-----	-----	A1AW



Ref. No.	Part No.	Description	Reqd. QTY								Serial No.	Parts catalogue code
			GCV 160 A	GCV 160 AO	GCV 160 E	GCV 160 LE	GCV 160 LA	GCV 160 LAO				
21	87114-ZH7-840	LABEL, WARNING (NOT CERTIFIED FOR SALE)	-	1	-	-	-	-	-	-	-----	C1E,C1E1,C2E,C2E1
22	87101-ZM0-020	MARK, EMBLEM (GCV160)	-	1	1	-	-	-	-	1739042	-----	A1P
	87101-ZM0-801		-	-	1	-	-	-	-	2189260	-----	A1AW,C1E,C1E1,C2E,C2E1,C3E,C3E1,C4E,C4E1
			-	-	1	-	-	-	-	2189260	-----	A1E7,A1M,A2E7,BHH1,E2G7,N1L,N1R,N1U,S2G7,S3H2
			-	-	1	-	-	-	-	2189260	-----	A2A9,A2R,N1D,N1R,S1E1
			-	-	1	-	-	-	-	2189260	-----	A3G9,A3T9,A4G7,A4G9,S2E2,S2E3,S3E9,S3G9,S4E9,S4G9
24	87529-Z0Y-840	MARK, AUTO CHOKE	-	-	-	1	-	1	1	-----	-----	A1E7,A1E8,A1G7,A1G9,A2E7,A2E8,A2E9,A2G7,A2G9,A3E7
26	87101-Z0L-802	MARK, EMBLEM (GCV160)	-	-	-	1	1	-	-	2189260	-----	A3E9,A3W8,N1E1,N1E2,N1E7,N1T8,N1T9,N1W7,N2E7,N2E8
29	87516-Z0L-800	MARK, OPERATOR CAUTION	-	1	1	-	-	-	-	-----	-----	N2E9,N3T8,N3T9,S1E1,S2E,S2E1
30	87101-Z8B-000	MARK, EMBLEM (GCV160)	-	-	-	-	1	1	-	-----	-----	S1G4,S1M,S2E2,S2E3,S3E9,S3G9,S3H,S4E4,S4E9,S4G4
			-	-	-	-	-	-	1	-----	-----	S4G9
			-	-	-	-	-	-	-	2189260	-----	A7E1,N7A1
			-	-	-	-	-	-	-	-----	-----	A7H1
			-	-	-	-	-	-	-	-----	-----	A1AW
			-	-	-	-	-	-	-	-----	-----	A1A,A1AF,A2A9,A2R,A4A9,BHH,E1A2,N1A,N1AF,N5AF,N5MF
			-	-	-	-	-	-	-	-----	-----	N5R,R3A,S1A,S1M,S3A,S3H
31	87169-Z8E-000	MARK, RECOIL COVER	-	-	-	-	-	1	1	-----	-----	
32	87524-Z8B-000	MARK, FUEL COCK CAUTION	-	-	-	-	-	1	1	-----	-----	





Ref. (Relative ref. Number)  
No. L.O.N. Description F.R.T.

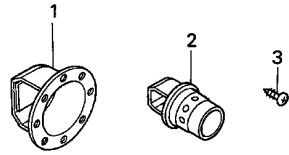
NO INFORMATION .....

Ref. No.	Part No.	Description	Reqd. QTY								Serial No.	Parts catalogue code
			GCV 160	GCV 160 A	GCV 160 A0	GCV 160 E	GCV 160 LE	GCV 160 LA	GCV 160 LA0			
1	72600-VE1-G00	HOLDER ASSY., BLADE .....	-	1	1	-	-	1	1	-----	BHH,BHH1,EHHB	
2	75111-VE1-G01	PLATE, BALL CONTROL .....	-	1	1	-	-	1	1	-----	BHH,BHH1,EHHB	
3	75117-VE1-G00	BALL, STEEL .....	-	3	3	-	-	3	3	-----	BHH,BHH1,EHHB	
4	75127-VE1-G00	PLATE, SPRING HOOK .....	-	1	1	-	-	1	1	-----	BHH,BHH1,EHHB	
5	75130-Z0L-000	PLATE COMP., BRAKE .....	-	1	1	-	-	1	1	-----	BHH,BHH1,EHHB	
6	75132-VE1-G00	SPRING, BALL PLATE .....	-	1	1	-	-	1	1	-----	BHH,BHH1,EHHB	
7	75141-VE1-G00	DISK, DRIVE .....	-	1	1	-	-	1	1	-----	BHH,BHH1,EHHB	
8	75150-VE1-G02	DISK COMP., DRIVEN .....	-	1	1	-	-	1	1	-----	BHH,BHH1,EHHB	
9	75162-Z0L-000	PULLEY, DRIVE .....	-	1	1	-	-	1	1	-----	BHH,BHH1,EHHB	
10	75183-VE1-G01	SPRING, CLUTCH .....	-	1	1	-	-	1	1	-----	BHH,BHH1,EHHB	
11	90101-VE1-G00	BOLT, FLANGE, 10X24 .....	-	1	1	-	-	1	1	-----	BHH,BHH1,EHHB	
12	91051-VE1-G00	BEARING, RADIAL BALL, 6006 .....	-	1	-	-	-	-	-	-----	BHH	
	91051-VE1-R00	BEARING, RADIAL BALL, 6006 (TSB) .....	-	1	1	-	-	1	1	-----	BHH,BHH1,EHHB	
13	91052-VE1-G00	BEARING, RADIAL BALL, 6204 .....	-	1	1	-	-	1	1	-----	BHH,BHH1,EHHB	
14	94401-16150	KEY, WOODRUFF, 16X15 .....	-	1	1	-	-	1	1	-----	BHH,BHH1,EHHB	
15	75110-Z0L-000	PLATE ASSY., BALL CONTROL .....	-	1	1	-	-	-	-	-----	BHH1,EHHB	
			-	-	-	-	-	1	1	-----	BHH	

E-40-1

MUFFLER CAP

J 2



ZM00-B4001

Ref. (Relative ref. Number) F.R.T.  
 No. L.O.N. Description

NO INFORMATION .....

Ref. No.	Part No.	Description	Reqd. QTY								Serial No.	Parts catalogue code
			GCV 160	GCV 160 A	GCV 160 A0	GCV 160 E	GCV 160 LE	GCV 160 LA	GCV 160 LA0			
1	18348-ZL8-000	CAP, MUFFLER .....	-	1	-	1	-	-	-	-	-----	A1AS,N1E1
	18348-Z0L-000	.....	-	1	-	-	-	-	-	1	-----	N5MF
2	18430-ZL8-000	DEFLECTOR COMP., MUFFLER .....	-	1	-	1	-	-	-	-	-----	A1AS,N1E1
3	90055-ZE1-000	SCREW, TAPPING, 4X6 .....	-	2	-	-	-	-	-	2	-----	N5MF
			-	4	-	4	-	-	-	-	-----	A1AS,N1E1

2



# PART NO. INDEX

K 2

Part Number	Address	Page	Ref.	Part Number	Address	Page	Ref.	Part Number	Address	Page	Ref.	Part Number	Address	Page	Ref.				
17534-ZOL-000	F15	70	14	19610-ZOL-800ZA	F5	60	6	19610-ZMO-000ZA	F4	59	6	28400-ZMO-632ZD	F1	56	1	32196-ZOL-S20	H10	97	9
17620-ZOJ-800	F15	70	15	19610-ZOL-800ZB	F5	60	6	19610-ZMO-000ZB	F4	59	6	28400-ZMO-633ZA	F1	56	1	32222-ZOL-820	H13	100	4
17620-ZOM-000	F4	59	4	19610-ZOL-800ZC	F5	60	6	19610-ZMO-010ZA	F4	59	6	28400-ZMO-633ZC	F1	56	1	32222-ZOL-830	H13	100	8
17620-ZL8-003	F3	58	4	19610-ZOL-800ZD	F5	60	6	19610-ZMO-010ZB	F4	59	6	28400-ZMO-633ZD	F1	56	1	32222-ZOL-S10	H13	100	10
17620-ZL8-013	F4	59	4	19610-ZOL-801ZA	F6	61	6	19610-ZMO-010ZC	F4	59	6	28400-ZMO-633ZE	F1	56	1	32223-ZOL-820	H13	100	11
17622-888-010	F12	67	39	19610-ZOL-820ZA	F5	60	6	19610-ZMO-010ZD	F4	59	6	28451-ZOJ-900	H12	99	4				
17622-ZL8-003	F12	67	39	19610-ZOL-820ZB	F5	60	6	19610-ZMO-010ZE	F4	59	6	28452-ZOJ-900	H12	99	5	33000			
17624-ZE7-000	F13	68	40	19610-ZOL-820ZC	F5	60	6	19610-ZMO-010ZF	F4	59	6	28461-ZOL-V71	F2	57	16				
17624-ZL8-003	F13	68	40	19610-ZOL-820ZD	F5	60	6	19610-ZMO-J11ZA	F4	59	6	28461-ZL8-003	F2	57	8	33609-GK4-620	F6	61	8
17636-ZOL-000	F15	70	16	19610-ZOL-820ZE	F5	60	6	19610-ZMO-J11ZC	F4	59	6	28462-ZOL-V20	F2	57	9		F16	71	23
17636-ZOL-010	F15	70	16	19610-ZOL-821ZA	F6	61	6	19612-ZOL-000	H3	90	2	28462-ZOL-V71	F2	57	9				
17701-ZOL-000	F6	61	11	19610-ZOL-821ZB	F6	61	6		H10	97	2	28462-ZL8-003	F2	57	9	35000			
17701-ZOL-771	F9	64	19	19610-ZOL-821ZC	F6	61	6		H12	99	3								
17701-ZOL-780	F15	70	17	19610-ZOL-821ZD	F6	61	6	19612-ZOL-830	H14	101	1	28462-ZL8-631	F2	57	9				
17701-ZOL-810	F15	70	18	19610-ZOL-821ZE	F6	61	6	19612-ZMO-000	H3	90	2					35100-ZOL-831	H14	101	3
17701-ZOM-780	F9	64	19	19610-ZOL-830ZA	F5	60	6	19612-ZMO-J20	H3	90	2	30000				35111-ZOL-830	H14	101	4
17701-Z8B-801	F15	70	17	19610-ZOL-830ZB	F5	60	6		H10	97	2	30500-ZOJ-003	H4	91	3	35120-ZOL-801	I10	113	11
17701-Z8B-811	F15	70	18	19610-ZOL-830ZC	F5	60	6	19619-ZL8-300	F12	67	36		H10	97	3	35120-ZOL-901	I10	113	11
17702-ZOL-801	F11	66	32	19610-ZOL-830ZD	F5	60	6		F16	71	22	30500-ZOJ-004	H12	99	6	35120-ZL8-003	I4	107	14
17702-ZOL-802	F11	66	32	19610-ZOL-830ZE	F5	60	6	19650-ZMO-000	G8	79	14	30500-ZOL-821	H9	96	24	I7	110	13	
17702-Z8B-801	F15	70	19	19610-ZOL-850ZA	F15	70	21	19651-ZOL-000	G12	83	26	30500-ZL8-004	H4	91	3	35120-ZMO-003	H5	92	6
17702-ZMO-000	F4	59	5	19610-ZOL-850ZB	F15	70	21	19721-ZOL-000ZA	I12	115	2		H11	98	3	H11	98	9	
17702-ZMO-800	F10	65	32	19610-ZOL-850ZC	F15	70	21	19721-ZOL-000ZB	I12	115	2	30500-ZL8-014	H4	91	3	51000			
	F15	70	19	19610-ZOL-850ZD	F15	70	21	19721-ZOL-000ZC	I12	115	2	30547-ZOL-S00	H10	97	4				
17703-ZOL-771	F9	64	20	19610-ZOL-850ZE	F15	70	21	19721-ZOM-000ZA	I12	115	2		H11	98	4	51125-ZOL-003	H7	94	14
17703-ZOL-780	F9	64	20	19610-ZOL-851ZA	F16	71	21	19721-ZOM-000ZB	I12	115	2	30548-ZL8-000	H10	97	5	H8	95	19	
17703-ZOL-790	F9	64	20	19610-ZOL-851ZB	F16	71	21	19721-ZOM-000ZC	I12	115	2		H11	98	5	H10	97	10	
	F15	70	20	19610-ZOL-851ZC	F16	71	21	19721-ZOM-000ZD	I12	115	2	30549-ZOL-820	H13	100	2	H11	98	10	
17703-Z8B-801	F15	70	20	19610-ZOL-851ZD	F16	71	21	19721-ZOM-000ZE	I12	115	2	30549-ZL8-000	H10	97	6	H12	99	9	
				19610-ZOL-851ZE	F16	71	21	22000				H13	100	9	H13	100	9		
18000				19610-ZOL-860ZA	F16	71	21	22534-ZOL-820	H13	100	1	31000				I10	113	14	
				19610-ZOL-860ZB	F16	71	21		H14	101	2	31105-ZOJ-010	H4	91	4	66000			
18310-ZOY-000	H1	88	1	19610-ZOL-860ZC	F16	71	21	28000					H10	97	7	66871-611-000	F2	57	15
18310-ZMO-000	H1	88	1	19610-ZOL-860ZD	F16	71	21						H4	91	4	66871-KY2-700	F2	57	15
18320-ZOM-780	H1	88	2	19610-ZOL-860ZE	F16	71	21	28400-ZOL-802	F2	57	13	31105-ZOL-010	H4	91	4				
18321-ZOL-000	H2	89	2	19610-ZOL-861ZA	F16	71	21	28400-ZOL-V20ZA	F1	56	1	31105-ZOL-820	H9	96	22	72000			
18321-ZOL-000	H2	89	2	19610-ZOL-861ZB	F16	71	21	28400-ZOL-V20ZB	F1	56	1	31105-ZOL-821	H9	96	22				
18321-ZOL-J00	H1	88	2	19610-ZOL-861ZC	F16	71	21	28400-ZOL-V20ZC	F1	56	1	31105-ZOL-830	H9	96	22	72600-VE1-G00	J1	120	1
18321-ZL8-000	H1	88	2	19610-ZOL-861ZE	F16	71	21	28400-ZOL-V20ZD	F1	56	1	31105-ZOL-831	H9	96	22				
18321-ZL8-A00	H1	88	2	19610-ZOL-870ZA	F16	71	21	28400-ZOL-V72	F2	57	14	31105-ZL8-000	H4	91	4	75000			
18348-ZOL-000	H2	89	6	19610-ZOL-870ZB	F16	71	21	28400-ZOM-801	F2	57	14	31105-ZMO-000	H4	91	4				
	J2	121	1	19610-ZOL-871ZA	F16	71	21	28400-ZL8-013ZA	E16	55	1		H11	98	7	75100-ZOL-900	H6	93	7
18348-ZL8-000	H2	89	6	19610-ZOL-871ZB	F16	71	21	28400-ZL8-023ZA	E16	55	1	31110-ZOJ-004	H12	99	7	75100-ZMO-000	H5	92	7
	J2	121	1	19610-ZOL-880ZA	F16	71	21	28400-ZL8-023ZB	E16	55	1	31110-ZOJ-013	H8	95	17	75110-ZOL-000	J1	120	15
18350-ZL8-000	H2	89	9	19610-ZOL-880ZB	F16	71	21	28400-ZL8-023ZC	E16	55	1	31110-ZOL-832	H8	95	17	75110-ZOL-800	H8	95	21
18356-ZL8-000	H2	89	10	19610-ZOL-880ZC	F16	71	21		F2	57	17	31110-ZL8-004	H8	95	17		H11	98	11
18381-ZL8-305	H2	89	5	19610-ZOL-880ZD	F16	71	21	28400-ZMO-003ZA	E16	55	1	31200-ZOL-821	H13	100	3	75110-ZOL-821	H9	96	23
18430-ZL8-000	H2	89	7	19610-ZOL-880ZE	F16	71	21	28400-ZMO-003ZB	E16	55	1	32000				75110-ZOL-822	H9	96	23
	J2	121	2	19610-ZOL-881ZA	F16	71	21	28400-ZMO-013ZA	E16	55	1					75110-ZOL-900	H8	95	21
19000				19610-ZOL-881ZB	F16	71	21	28400-ZMO-013ZB	E16	55	1	32195-ZOL-000	H5	92	5	75110-ZOY-000	H9	96	21
				19610-ZOL-881ZC	F16	71	21	28400-ZMO-013ZC	E16	55	1	32195-ZOL-800	H8	95	18	75111-VE1-G01	J1	120	2
19511-ZOJ-900	H12	99	2	19610-ZOL-881ZE	F16	71	21	28400-ZMO-032ZA	E16	55	1	32195-ZOL-900	H12	99	8	75113-ZMO-000	H6	93	8
19610-ZOL-000ZA	F4	59	6	19610-ZOM-J10ZC	F5	60	6	28400-ZMO-032ZB	E16	55	1		H11	98	8		H11	98	12
19610-ZOL-000ZC	F4	59	6	19610-ZOM-J10ZD	F5	60	6	28400-ZMO-032ZC	E16	55	1	32195-ZOL-S00	H11	98	8	75117-VE1-G00	J1	120	3
19610-ZOL-000ZD	F5	60	6	19610-Z1L-000ZA	F6	61	6	28400-ZMO-032ZD	E16	55	1	32195-ZOL-S20	H10	97	8	75127-VE1-G00	J1	120	4
19610-ZOL-000ZE	F4	59	6	19610-Z1L-000ZB	F6	61	6	28400-ZMO-631ZA	E16	55	1	32195-ZMO-000	H5	92	5	75130-ZOL-000	J1	120	5
19610-ZOL-000ZF	F4	59	6	19610-Z1L-000ZC	F6	61	6	28400-ZMO-631ZB	E16	55	1	32195-ZMO-800	H5	92	5	75132-VE1-G00	J1	120	6
19610-ZOL-010ZA	F6	61	6	19610-Z1L-000ZD	F6	61	6	28400-ZMO-632ZA	E16	55	1		H8	95	18				
19610-ZOL-010ZB	F6	61	6	19610-Z1L-800ZA	F6	61	6	28400-ZMO-632ZB	F1	56	1								
				19610-Z1L-800ZB	F6	61	6	28400-ZMO-632ZC	F1	56	1								

3

# PART NO. INDEX

K 3

Part Number	Address	Page	Ref.	Part Number	Address	Page	Ref.	Part Number	Address	Page	Ref.	Part Number	Address	Page	Ref.
75141-VE1-G00	J1	120	7	90003-ZM0-010	G15	86	7	90201-ZM0-J20	F2	57	11	93903-24480	I12	115	3
75150-VE1-G02	J1	120	8	90004-ZL8-000	H2	89	3	90206-001-000	E15	54	12	93913-25220	G1	72	33
75162-Z0L-000	J1	120	9	90012-333-000	E15	54	11	90303-MR1-000	F2	57	11				
75183-VE1-G01	J1	120	10	90013-883-000	E1	40	5	90402-ZL8-000	E9	48	5	94000			
					F16	71	24	90451-ZE1-000	E7	46	17				
87000					H2	89	4	90551-ZE0-000	E12	51	5	94050-06000	F9	64	25
					H6	93	9	90601-Z0M-003	F9	64	22		G1	72	34
87101-Z0L-780	I14	117	7		H10	97	11		G1	72	29		I4	107	13
87101-Z0L-800	I14	117	7		H11	98	13	90602-ZE1-000	E8	47	18		I8	111	21
87101-Z0L-801	I14	117	7		H12	99	10	90659-680-013	F9	64	23		I10	113	15
87101-Z0L-802	I16	119	26		H13	100	6		G1	72	30	94101-06800	E8	47	21
87101-Z0M-U30	I14	117	4		H14	101	6	90681-959-003	H7	94	14	94103-04000	H8	95	16
87101-Z8B-000	I16	119	30	90014-952-000	E1	40	6		H8	95	19		H11	98	19
87101-ZM0-000	I13	116	1		E7	46	15		H10	97	10		I4	107	16
87101-ZM0-010	I13	116	1		H6	93	10		H11	98	10		I8	111	22
87101-ZM0-020	I16	119	22		H11	98	14		H12	99	9	94109-12000	E8	47	25
87101-ZM0-800	I13	116	1	90015-883-000	F16	71	25		H13	100	9	94251-08000	E8	47	22
87101-ZM0-801	I16	119	22	90015-ZE5-010	I2	105	10		I10	113	14	94301-08200	E8	47	23
87101-ZM0-V50	I14	117	4		I7	110	15					94401-16150	J1	120	14
87101-ZM0-V51	I14	117	4		I10	113	12	91000				94511-14000	I10	113	16
87102-Z1L-V51	I14	117	17	90016-Z0A-V00	I6	109	26								
87102-Z1L-V52	I14	117	17	90016-ZE7-W00	I4	107	19	91051-VE1-G00	J1	120	12	95000			
87114-Z3E-000	I15	118	20		I5	108	23	91051-VE1-R00	J1	120	12				
87114-ZH7-000	I15	118	20	90016-ZE8-000	I10	113	13	91052-VE1-G00	J1	120	13	95001-45110-40	G1	72	35
87114-ZH7-810	I14	117	20	90016-ZM0-000	I3	106	11	91201-Z0Y-003	E1	40	7	95001-55150-40	F7	62	11
87114-ZH7-820	I14	117	20	90016-ZM0-V30	I7	110	17	91201-ZL8-003	E1	40	7	95001-75160-40	G1	72	36
87114-ZH7-821	I15	118	20	90017-883-000	I7	110	16	91202-ZL8-003	E8	47	19	95002-02080	F8	63	12
87114-ZH7-840	I15	118	20	90018-ZE1-000	H6	93	11	91202-ZM0-V31	E8	47	19		F12	67	33
	I16	119	21				12	91231-891-003	E8	47	26		G1	72	37
87135-ZE2-010	I14	117	5		H11	98	15	91301-Z0M-003	E15	54	13	95002-02100	F8	63	13
87135-ZE2-020	I14	117	19		H12	99	11	91301-ZM0-V31	E15	54	13		F9	64	26
87169-Z8E-000	I16	119	31	90022-888-000	I11	114	9	91303-KF0-003	E8	47	20		G1	72	38
87501-Z0L-830	H14	101	5	90022-888-010	H6	93	12	91303-Z0M-003	E8	47	20	95002-02120	G1	72	39
87516-Z0L-800	I16	119	29		H10	97	12	91424-Z8B-821	G1	72	35	95002-40800-08	F12	67	34
87520-ZL8-810	I14	117	10		H11	98	16	91425-Z0L-801	F8	63	11		G1	72	40
87524-Z8B-000	I16	119	32		I11	114	9	91425-Z0L-802	F8	63	11	95002-41000-08	F12	67	35
87526-ZL8-810	I14	117	11	90041-Z0M-780	F9	64	21	91427-Z8B-821	G1	72	36				37
87528-Z0L-800	I14	117	9		F16	71	26	91501-Z0L-800	F6	61	8		G2	73	41
87528-Z0L-V20	I14	117	9	90043-Z0J-900	F12	67	38		F16	71	23	95002-41200-08	G2	73	42
87528-ZL8-000	I14	117	6		G1	72	28	91601-Z0L-300	H9	96	25	95002-45000	F9	64	27
87529-Z0Y-840	I16	119	24	90043-Z0L-820	F12	67	38						G2	73	43
87531-Z0Y-M11ZA	I13	116	3	90043-ZL8-000	F6	61	9	93000				95002-50000	F8	63	14
87531-Z0Y-M11ZB	I13	116	3		F16	71	27						F9	64	28
87531-ZM0-J00	I13	116	3				28	93500-05006-1H	G8	79	15		G2	73	44
87531-ZM0-J01	I13	116	3	90055-ZE1-000	H2	89	8	93500-05008-0A	H13	100	7	95002-70000	G2	73	45
87532-ZM0-V30	I7	110	14				11		I6	109	28	95003-25021-20	F10	65	29
87594-VG3-010	I14	117	14		J2	121	3	93500-05010-0A	H14	101	7		G2	73	46
				90101-VE1-G00	J1	120	11	93500-05012-0A	H14	101	8	95003-36010-20	F10	65	30
89000				90114-SAO-000	I8	111	18	93500-05016-0A	I3	106	12	95003-43009-20	G2	73	47
				90121-952-000	E7	46	16		I8	111	24	95701-06014-08	G16	87	8
89218-ZE1-000	I14	117	12	90131-883-000	E8	47	24	93500-05028-0A	I4	107	19				
89219-805-000	I14	117	13	90136-SM4-901	I8	111	19	93891-05010-08	F6	61	10	98000			
				90137-SH3-000	I12	115	3		G1	72	31				
90000				90201-878-003	H7	94	13	93892-04012-00	H8	95	15	98079-55846	E2	41	8
					H10	97	13		H11	98	18	98079-56846	E2	41	8
90001-Z0L-820	H13	100	5		H11	98	17		I4	107	15				
90001-ZE1-000	E12	51	4	90201-Z0T-800	H7	94	13		I8	111	20	99000			
90002-Z0L-820	H6	93	11		H12	99	12	93894-05014-00	F9	64	24				
90003-ZM0-000	G14	85	7	90201-ZM0-000	F2	57	11		G1	72	32	99101-124-0600	G9	80	16

# PART NAME INDEX

L 1

Part name	Address	Page	Ref.	Part name	Address	Page	Ref.	Part name	Address	Page	Ref.
[ A ]				BOLT, FLANGE, 6X85 .....	G15	86	7	CLIP, PISTON PIN, 13MM .....	E12	51	5
ARM, EX. VALVE ROCKER .....	E15	54	5	BOLT, FLANGE, 6X86 .....	G14	85	7	CLIP, PURSE LOCK .....	F9	64	22
ARM, GOVERNOR .....	H15	102	1	BOLT, GOVERNOR ARM .....	I2	105	10		G1	72	29
	I7	110	1		I7	110	15	CLIP, TANK MOUNTING .....	F15	70	11
	I9	112	1	BOLT, SPECIAL, 6MM .....	H13	100	5	CLIP, TUBE .....	F8	63	12
ARM, IN. VALVE ROCKER .....	E15	54	4	BOLT, SPECIAL, 6X45 .....	I7	110	17				
			15	BOLT, STUD .....	F6	61	9		F9	64	26
ARRESTER COMP., SPARK .....	H2	89	9		F9	64	21				27
ARRESTER KIT, SPARK .....	H2	89	12		F12	67	38				28
					F16	71	26		F12	67	33
							27		G1	72	37
							28				38
[ B ]					G1	72	28				39
BALL, STEEL .....	J1	120	3	BRACKET, FUEL COCK .....	F3	58	3		G2	73	43
BARREL ASSY., CYLINDER .....	E1	40	1	BRAKE ASSY. ....	H5	92	7				44
	E2	41	9		H6	93	7				45
	E3	42	9	BRAKE SUB ASSY. ....	H8	95	21	CLIP, WIRE HARNESS .....	F9	64	23
BASE COMP., CONTROL .....	I1	104	7		H9	96	21		G1	72	30
	I2	105	7				23	COCK ASSY., FUEL .....	F3	58	2
	I4	107	20		H11	98	11		F10	65	31
	I5	108	20						F14	69	5
	I7	110	9	[ C ]							6
	I10	113	6	CAP ASSY., FUEL TANK .....	F3	58	4	COIL ASSY., IGNITION .....	H4	91	3
			17		F4	59	4		H9	96	24
BEARING, RADIAL BALL, 6006 ...	J1	120	12		F15	70	15		H10	97	3
BEARING, RADIAL BALL, 6204 ...	J1	120	13	CAP, CHOKE DUST .....	G12	83	25		H11	98	3
BELT, TIMING .....	E14	53	3	CAP, MUFFLER .....	H2	89	6	COLLAR, FAN COVER .....	F12	67	36
BOLT, CONNECTING ROD .....	E12	51	4		J2	121	1		F16	71	22
BOLT, DRAIN PLUG, 12X15 .....	E8	47	24	CARBURETOR ASSY. ....	G4	75	7	COLLAR, FR. WINKER .....	F6	61	8
BOLT, FLANGE, 10X24 .....	J1	120	11		G5	76	7		F16	71	23
BOLT, FLANGE, 6X12 .....	E1	40	5		G6	77	7	COLLAR, FUEL COCK .....	F6	61	8
	F16	71	24	CASE ASSY., AIR CLEANER .....	G13	84	3		F16	71	23
	H2	89	4		G14	85	3	COLLAR, STOPPER .....	I4	107	18
	H6	93	9	CHAMBER SET, FLOAT .....	G3	74	3		I5	108	22
	H10	97	11	CIRCLIP, EXTERNAL, 14MM .....	G12	83	24	CONTROL ASSY., CHOKE .....	G10	81	21
	H11	98	13	CLAMPER, CORD .....	I10	113	16		G12	83	28
	H12	99	10		H10	97	6	CORD, COMBINATION .....	H13	100	11
	H13	100	6	CLAMPER, STOP SWITCH CORD .....	H11	98	6		H5	92	5
	H14	101	6		H13	100	2	CORD, STOP SWITCH .....	H8	95	18
BOLT, FLANGE, 6X14 .....	E1	40	6		H10	97	4		H10	97	8
	E7	46	15				5				9
	G16	87	8		H11	98	4		H11	98	8
	H6	93	10	CLAMP, TUBE .....	F12	67	34	CORD, TERMINAL EARTH .....	H13	100	4
	H11	98	14				5				8
BOLT, FLANGE, 6X20 .....	H6	93	12		G1	72	40				10
	H10	97	12		G2	73	41	COVER COMP., BREATHER .....	E1	40	4
	H11	98	16				42	COVER COMP., FAN .....	F4	59	6
	I11	114	9	CLIP A, CABLE .....	H7	94	14		F5	60	6
BOLT, FLANGE, 6X23 .....	H6	93	11		H8	95	19		F6	61	6
			12		H10	97	10		F15	70	21
	H11	98	15		H11	98	10	COVER, AIR CLEANER .....	F16	71	21
	H12	99	11		H11	98	10		G14	85	6
BOLT, FLANGE, 6X25 .....	E7	46	16		H12	99	9	COVER, HEAD .....	E1	40	3
BOLT, FLANGE, 6X28 .....	F16	71	25		H13	100	9	COVER, TOP .....	I12	115	2
BOLT, FLANGE, 6X32 .....	I7	110	16		I10	113	14	CRANKSHAFT COMP. ....	E9	48	1
BOLT, FLANGE, 6X45 .....	I3	106	11	CLIP, GOVERNOR HOLDER .....	E8	47	18				2
BOLT, FLANGE, 6X79 .....	H2	89	3								



# PART NAME INDEX

Part name	Address	Page	Ref.	Part name	Address	Page	Ref.	Part name	Address	Page	Ref.
CRANKSHAFT COMP. ....	E9	48	3	HOLDER, CABLE .....	I8	111	25	MARK, HONDA .....	I13	116	3
			4	HOLDER, GOVERNOR WEIGHT .....	E7	46	11	MARK, OIL CAUTION .....	I14	117	14
			6	HOLDER, WIRE .....	H7	94	14	MARK, OPERATOR CAUTION .....	I16	119	29
			7		H8	95	19	MARK, RECOIL COVER .....	I16	119	31
			8		H10	97	10	MARK, THROTTLE INDICATION .....	I7	110	14
			9		H11	98	10	MOTOR ASSY., STARTER .....	H13	100	3
			10		H12	99	9	MUFFLER COMP. ....	H1	88	1
					H13	100	1				
							9				
[ D ]					H14	101	2	[ N ]			
DEFLECTOR COMP., MUFFLER .....	H2	89	7		I10	113	14	NOZZLE, MAIN .....	G7	78	9
	J2	121	2	[ I ]				NUT, CENTER PANEL .....	F2	57	15
DISK COMP., DRIVEN .....	J1	120	8					NUT, FLANGE CAP, 6MM .....	F2	57	11
DISK, DRIVE .....	J1	120	7	INSULATOR COMP., CARBURETOR ...	G10	81	18	NUT, FLANGE, 6MM .....	F2	57	11
DOWEL PIN, 8X20 .....	E8	47	23	INSULATOR, CARBURETOR .....	G7	78	10		F9	64	25
									G1	72	34
[ E ]				[ J ]					I4	107	13
ELEMENT, AIR CLEANER .....	G13	84	2						I8	111	21
EMBLEM .....	I14	117	4	JET, MAIN, .....	G9	80	16		I10	113	15
EXTENSION, OIL FILLER .....	E6	45	5		G10	81	16	NUT, SELF-LOCK, 5MM .....	I8	111	19
				[ K ]				NUT, SELF-LOCK, 6MM .....	I8	111	18
[ F ]								NUT, SPECIAL, 14MM .....	H7	94	13
FAN, COOLING .....	H12	99	2	KEY, COMBINATION SWITCH .....	H14	101	4		H10	97	13
FLOAT SET .....	G3	74	2	KEY, SPECIAL WOODRUFF, 25X18 ..	H3	90	1		H11	98	17
FLYWHEEL ASSY. ....	H4	91	4		H10	97	1	NUT, TANK MOUNTING .....	F15	70	14
	H9	96	22		H11	98	2	NUT, TAPPET ADJUSTING .....	E15	54	12
	H10	97	7		H12	99	1	NUT, UPPER COWL .....	F2	57	15
	H11	98	7	KEY, WOODRUFF, 16X15 .....	J1	120	14				
FLYWHEEL COMP. ....	H8	95	17	KNOB, RECOIL STARTER .....	F2	57	16	[ O ]			
	H12	99	7					OIL SEAL, 25.4X62X6 .....	E1	40	7
				[ L ]				OIL SEAL, 28X41.25X6 .....	E8	47	19
[ G ]				LABEL, E-SPEC .....	I14	117	5	OIL SEAL, 6X11X4 .....	E8	47	26
GASKET, MUFFLER .....	H2	89	5					O-RING, 14.8X2.4 .....	E8	47	20
GAUGE ASSY., OIL LEVEL .....	E6	45	2	LABEL, WARNING .....	I14	117	20	O-RING, 6.8X1.9 .....	E15	54	13
	E7	46	7		I15	118	20				
	F15	70	16	LEVER ASSY., CHOKE .....	I11	114	14	[ P ]			
GOVERNOR ASSY. ....	E7	46	9	LEVER, CHOKE .....	I7	110	10	PACKING SET .....	G3	74	1
GRID, SCREEN .....	H12	99	5		I10	113	7	PACKING, AIR CLEANER .....	G14	85	5
GRIP, STARTER .....	F2	57	8	[ M ]				PACKING, CARBURETOR .....	G8	79	12
GROMMET A, RR. COVER .....	H8	95	20								
	H11	98	1	MARK A, COMBINATION .....	I14	117	10	PACKING, FUEL CAP .....	F13	68	40
GROMMET, BRAKE PLATE .....	H9	96	25	MARK B, COMBINATION .....	I14	117	11	PACKING, INSULATOR .....	G7	78	11
GROMMET, CHOKE ROD .....	I10	113	8	MARK, AUTO CHOKE .....	I16	119	24	PACKING, OIL FILLER CAP .....	E6	45	3
	I12	115	1	MARK, CHOKE .....	I14	117	6				
GUIDE COMP., AIR .....	G8	79	14	MARK, CHOKE INDICATION .....	I14	117	9	PAN ASSY., OIL .....	E5	44	1
GUIDE, AIR .....	G12	83	26	MARK, CHOKE .....	I14	117	6	PIN, GOVERNOR WEIGHT .....	E7	46	12
				MARK, CHOKE INDICATION .....	I14	117	9	PIN, LOCK, 8MM .....	E8	47	22
[ H ]				MARK, EMBLEM .....	I13	116	1	PIN, PISTON .....	E11	50	2
HANDLE, BOX WRENCH .....	I14	117	13		I14	117	4	PISTON .....	E10	49	1
HOLDER ASSY., BLADE .....	J1	120	1				7		E11	50	1
HOLDER, CABLE .....	I1	104	6				17	PLATE ASSY., BALL CONTROL .....	J1	120	15
	I6	109	24				22	PLATE COMP., BRAKE .....	J1	120	5
			25				26	PLATE, ARRESTER NUMBER .....	H2	89	10
			27	MARK, ENGINE SWITCH .....	H14	101	5	PLATE, BALL CONTROL .....	J1	120	2
			23	MARK, FUEL COCK CAUTION .....	I16	119	32	PLATE, LEVER CENTER .....	I7	110	7
								PLATE, SIDE .....	H3	90	2

# PART NAME INDEX

L 3

Part name	Address	Page	Ref.	Part name	Address	Page	Ref.	Part name	Address	Page	Ref.
PLATE, SIDE .....	H10	97	2	SCREW, PAN, 5X8 .....	I6	109	28	[ T ]			
	H12	99	3	SCREW, RECESSED, 5X18 .....	I6	109	26	TANK, FUEL .....	F14	69	9
	H14	101	1	SCREW, RECESSED, 5X28 .....	I4	107	19	THERMOWAX ASSY. ....	G12	83	29
PLATE, SPRING HOOK .....	J1	120	4		I5	108	23	TUBE B, FUEL .....	F9	64	20
PLUG, SPARK .....	E2	41	8	SCREW, TAPPET ADJUSTING .....	E15	54	11		F15	70	20
PROTECTOR COMP., MUFFLER .....	H1	88	2	SCREW, TAPPING, 4X16 .....	I12	115	3	TUBE, BREATHER .....	G13	84	1
PROTECTOR, MUFFLER .....	H1	88	2	SCREW, TAPPING, 4X6 .....	H2	89	8	TUBE, DIAPHRAGM .....	F8	63	18
	H2	89	2		J2	121	3		F14	69	4
PULLEY COMP., CAMSHAFT .....	E14	53	1	SCREW, TAPPING, 5X12 .....	G1	72	33	TUBE, FUEL .....	F4	59	5
PULLEY, DRIVE .....	J1	120	9	SEAL, FUEL FILLER NECK .....	F14	69	10		F10	65	32
PULLEY, STARTER .....	H12	99	4	SEAL, VALVE STEM .....	E3	42	10	TUBE, FUEL TANK .....	F6	61	11
PUMP ASSY., FUEL .....	F8	63	16	SHAFT COMP., GOVERNOR HOLDER ..	E7	46	8		F15	70	19
	F14	69	1	SHAFT, CAM PULLEY .....	E14	53	2		F9	64	19
[ R ]				SHAFT, GOVERNOR ARM .....	E7	46	14		F15	70	17
RETAINER, IN. VALVE SPRING ...	E4	43	14	SHAFT, ROCKER ARM .....	E15	54	6				
RETAINER, VALVE SPRING .....	E4	43	14	SHEET, THERMAL CONDUCTIVE .....	G12	83	27	TUBE, FUEL, 4.5X110 .....	G1	72	35
RING SET, PISTON .....	E12	51	6	SLIDER, GOVERNOR .....	E7	46	13	TUBE, FUEL, 5.3X150 .....	F7	62	11
	E13	52	6	SPACER, CARBURETOR .....	I10	113	18		F8	63	11
ROD ASSY., CONNECTING .....	E11	50	3	SPACER, CONTROL LEVER .....	I7	110	8	TUBE, FUEL, 7.3X160 .....	G1	72	36
	E12	51	3		I9	112	5	TUBE, VINYL, 11X13X100 .....	F10	65	30
ROD, CHOKE .....	I2	105	9	SPONGE, FUEL CAP BREATHER .....	F12	67	39	TUBE, VINYL, 13X15X90 .....	G2	73	47
	I7	110	11	SPRING, BALL PLATE .....	J1	120	6	TUBE, VINYL, 9X11X210 .....	F10	65	29
	I10	113	9	SPRING, BRAKE LEVER .....	H6	93	8		G2	73	46
					H11	98	12	[ V ]			
ROD, GOVERNOR .....	H15	102	2	SPRING, CABLE RETURN .....	I11	114	2	VALVE, EX. ....	E4	43	12
	H16	103	2	SPRING, CHOKE LEVER .....	I11	114	5	VALVE, FLOAT .....	G6	77	8
	I7	110	2	SPRING, CLUTCH .....	J1	120	10	VALVE, IN. ....	E3	42	11
	I9	112	2	SPRING, CONTROL ADJUSTING .....	I4	107	17		E4	43	11
ROD, STOP .....	I11	114	8		I5	108	21	[ W ]			
ROPE, RECOIL STARTER .....	F2	57	9	SPRING, CONTROL LEVER RETURN ..	I2	105	8	WASHER, CONTROL LEVER .....	I7	110	6
RUBBER A, TANK MOUNTING .....	F15	70	12	SPRING, GOVERNOR .....	H16	103	3	WASHER, DRAIN PLUG, 12MM .....	E8	47	25
RUBBER B, TANK MOUNTING .....	F15	70	13		I7	110	3	WASHER, EXTENSION LOCK .....	E6	45	6
RUBBER, SUPPORTER .....	F3	58	1	SPRING, IDLE GOVERNOR .....	I6	109	29	WASHER, PLAIN, 4MM .....	H8	95	16
	F14	69	3	SPRING, LEVER .....	H16	103	5		H11	98	19
[ S ]					I7	110	5	WASHER, PLAIN, 6MM .....	E8	47	21
SCREW-WASHER, 4X12 .....	H8	95	15	SPRING, RETURN .....	I11	114	2	WASHER, THRUST .....	E9	48	5
	H11	98	18	SPRING, THROTTLE RETURN .....	H16	103	4	WASHER, THRUST, 6MM .....	E7	46	17
	I4	107	15		I7	110	4	WEIGHT, GOVERNOR .....	E7	46	10
	I8	111	20	SPRING, VALVE .....	E4	43	13	WRENCH COMP., SPARK PLUG .....	I14	117	12
SCREW-WASHER, 5X10 .....	F6	61	10	STARTER ASSY., RECOIL .....	E16	55	1				
	G1	72	31		F1	56	1				
SCREW-WASHER, 5X14 .....	F9	64	24		F2	57	13				
	G1	72	32	STAY, FUEL COCK .....	F14	69	8				
SCREW SET .....	G4	75	5	STAY, FUEL PUMP .....	F8	63	17				
					F14	69	2				
SCREW SET A .....	G11	82	23	STRAINER, FUEL .....	F14	69	7				
SCREW SET, DRAIN .....	G4	75	4	SWITCH ASSY., COMBINATION .....	H14	101	3				
SCREW, PAN, 5X10 .....	G10	81	17	SWITCH ASSY., ENGINE STOP .....	H5	92	6				
SCREW, PAN, 5X12 .....	H14	101	7		H11	98	9				
SCREW, PAN, 5X16 .....	H14	101	8		I4	107	14				
	I3	106	12		I7	110	13				
	I8	111	24		I10	113	11				
SCREW, PAN, 5X28 .....	I4	107	19								
SCREW, PAN, 5X6 .....	G8	79	15								
SCREW, PAN, 5X8 .....	H13	100	7								

---

**1**

**FOREWORD INDEX**

---

**2**

**ENGINE GROUP**

---

**3**

**PART NUMBER INDEX**

---

**4**

**PART NAME INDEX**

---



**HONDA**  
The Power of Dreams



PARTS CATALOGUE NEWS

BOOKNo. : 13ZM00E8

Block No.	Ref. No.	Note	Part No.	Description	Reqd. QTY							Serial No.	Parts catalogue code
					GCV 160	GCV 160 A	GCV 160 AO	GCV 160 E	GCV 160 LE	GCV 160 LA	GCV 160 LAO		
	18	L	17701-ZOL-810	TUBE, FUEL TANK .....	-	-	-	-	1	1	-	-----	A1A, A1AF, A2A9, A2R, A4A9, BHH, E1A2, N1A N1AF, N5AF, N5MF, N5R
					-	-	-	-	-	1	-	-----	6901760 S1A, S1M, S3A, S3H
					-	-	-	-	-	1	-	-----	8028729 R3A
	19	L	17702-ZMO-800	TUBE, FUEL .....	-	-	-	-	1	-	-	-----	A1A, A1AF, A2R, BHH, E1A2, N1A, N1AF, N5AF N5MF, N5R, N7A1, N7S1
					-	-	-	-	-	1	-	-----	6901760 S1A, S1M, S3A, S3H
					-	-	-	-	-	1	-	-----	8028729 R3A
	23	L	91501-ZOL-800	COLLAR, FUEL COCK .....	-	-	-	-	-	1	1	-----	A1AF, E1A2, N1AF, N5AF, N5MF, N5R
					-	-	-	-	-	1	-	-----	6901760 S1A, S1M, S3A, S3H
					-	-	-	-	-	1	-	-----	8028729 R3A
					-	-	-	-	-	-	1	-----	A1A, BHH
	24	T	90013-883-000	BOLT, FLANGE, 6X12(CT200) ....	-	-	-	-	-	1	-	6901761	S1A, S1M, S3A, S3H
					-	-	-	-	-	1	-	8028730	R3A
					-	-	-	-	-	-	1	-----	R3A, S1A, S1M, S3A, S3H
	25	T	90015-883-000	BOLT, FLANGE, 6X28(CT200) ....	-	-	-	-	-	1	-	6901761	S1A, S1M, S3A, S3H
					-	-	-	-	-	1	-	8028730	R3A
					-	-	-	-	-	-	1	-----	R3A, S1A, S1M, S3A, S3H
	31	L	93891-05010-08	SCREW-WASHER, 5X10 .....	-	-	-	-	1	-	-	-----	A1A, A1AF, A2R, BHH, E1A2, N1A, N1AF, N5AF N5MF, N5R, N7A1, N7S1
					-	-	-	-	-	1	1	-----	6901760 S1A, S1M, S3A, S3H
					-	-	-	-	-	1	-	-----	8028729 R3A
	33	T	93913-25220	SCREW, TAPPING, 5X12 (P0) .....	-	-	-	-	-	1	-	6901761	S1A, S1M, S3A, S3H
					-	-	-	-	-	1	-	8028730	R3A

NOTE A:PART NO. CHANGE D:NEWLY PROVIDED E:PART NO.DELETION K:REQUIRED NO. CORRECTION L:APPLICATION SERIAL NO. CORRECTION  
T:APPLICATION CORRECTION Z:REMARKS CHANGE

PARTS CATALOGUE NEWS

BOOKNo. : 13ZM00E8

Block No.	Ref. No.	Note	Part No.	Description	Reqd. QTY								Serial No.	Parts catalogue code	
					GCV 160	GCV 160 A	GCV 160 AO	GCV 160 E	GCV 160 LE	GCV 160 LA	GCV 160 LAO				
					-	-	-	-	-	-	-	1	-----	-----	R3A, S1A, S1M, S3A, S3H
	35	T	95001-45110-40	TUBE, FUEL, 4. 5X110 (95001-45001-60M)	-	-	-	-	-	1	-	6901761	-----	S1A, S1M, S3A, S3H	
					-	-	-	-	-	1	-	8028730	-----	R3A	
	36	T	95001-75160-40	TUBE, FUEL, 7. 3X160 (95001-75001-60M)	-	-	-	-	-	1	-	6901761	-----	S1A, S1M, S3A, S3H	
					-	-	-	-	-	1	-	8028730	-----	R3A	
	38	L	95002-02100	CLIP, TUBE (B10) .....	-	-	-	-	1	1	-	-----	-----	A1A, A1AF, A2A9, A2R, A4A9, BHH, E1A2, N1A N1AF, N5AF, N5MF, N5R	
					-	-	-	-	3	3	-	-----	-----	A7H1, N7A1, N7S1	
					-	-	-	-	-	1	-	-----	6901760	S1A, S1M, S3A, S3H	
					-	-	-	-	-	1	-	-----	8028729	R3A	
	39	T	95002-02120	CLIP, TUBE (B12) .....	-	-	-	-	-	2	-	6901761	-----	S1A, S1M, S3A, S3H	
					-	-	-	-	-	2	-	8028730	-----	R3A	
	45	L	95002-70000	CLIP, TUBE (C11) .....	-	-	-	-	1	-	-	-----	-----	A1A, A1AF, A2R, BHH, E1A2, N1A, N1AF, N5AF N5MF, N5R, N7A1, N7S1	
					-	-	-	-	-	1	-	-----	6901760	S1A, S1M, S3A, S3H	
					-	-	-	-	-	1	-	-----	8028729	R3A	
E-22-2	6	L	16580-ZOL-810	BASE COMP., CONTROL .....	-	1	1	-	-	1	1	-----	-----	A1AE, A1AF, A3A, E1A2, RTL1, R1A, R3A1, STA1 STL1, S1A1, S3A2, S3H2	
					-	1	-	-	-	-	-	-----	-----	R3A, S1A, S1M, S3A, S3H	
					-	-	-	-	-	1	-	-----	6901760	S1A, S1M, S3A, S3H	
					-	-	-	-	-	1	-	-----	8028729	R3A	
	13	L	90016-ZE8-000	BOLT, FLANGE, 6X45(CT200) ....	-	1	1	-	-	1	1	-----	-----	A1AE, A1AF, A3A, E1A2, E1A4, E5A4, N1AF, N5AF N5MF, N5R, RTL1, R1A, R3A1, STA1, STL1, S1A1 S3A2, S3H2	
					-	1	-	-	-	-	-	-----	-----	R3A, S1A, S1M, S3A, S3H	

NOTE A:PART NO. CHANGE D:NEWLY PROVIDED E:PART NO.DELETION K:REQUIRED NO. CORRECTION L:APPLICATION SERIAL NO. CORRECTION  
T:APPLICATION CORRECTION Z:REMARKS CHANGE



PARTS CATALOGUE NEWS

BOOKNo. : 13ZM00E8

Block No.	Ref. No.	Note	Part No.	Description	Reqd. QTY								Serial No.	Parts catalogue code
					GCV 160	GCV 160 A	GCV 160 AO	GCV 160 E	GCV 160 LE	GCV 160 LA	GCV 160 LAO			
					-	-	-	-	-	-	1	-	----- 6901760	S1A, S1M, S3A, S3H
					-	-	-	-	-	-	1	-	----- 8028729	R3A
	18	T	16221-Z0L-900	SPACER, CARBURETOR .....	-	-	-	-	-	-	1	-	6901761 -----	S1A, S1M, S3A, S3H
					-	-	-	-	-	-	1	-	8028730 -----	R3A

NOTE A:PART NO. CHANGE D:NEWLY PROVIDED E:PART NO.DELETION K:REQUIRED NO. CORRECTION L:APPLICATION SERIAL NO. CORRECTION  
 T:APPLICATION CORRECTION Z:REMARKS CHANGE



# PARTS CATALOGUE NEWS

Honda Motor Co., Ltd. Service Division

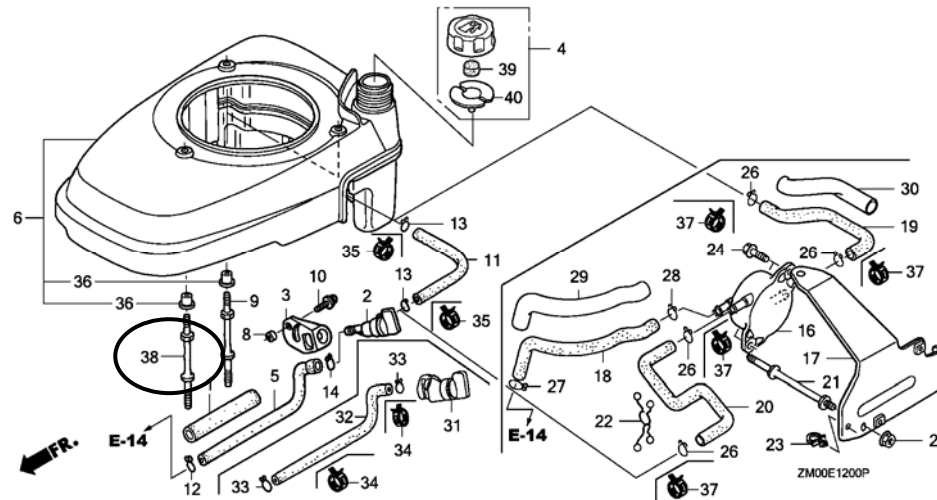
## PARTS CATALOGUE - CORRECTED

Printed in Japan

CODE NO.	13ZM00E8
PARTS CATALOGUE NEWS	GCV160 GCV160A GCV160A0 GCV160E GCV160LE GCV160LA GCV160LA0
NEWS NO.	002

Block No.	Ref. No.	Note	Part No.	Description	Reqd. QTY							Serial No.	Parts catalogue code
					GCV 160	GCV 160 A	GCV 160 A0	GCV 160 E	GCV 160 LE	GCV 160 LA	GCV 160 LA0		

E-12 FAN COVER (1)



E-12	9	K	90043-ZL8-000	BOLT, STUD (H=42.5MM) .....	2	2	2	2	-	-	-		
	38	D	90043-ZL8-000	BOLT, STUD (H=42.5MM) .....	1	-	-	1	-	-	-		

NOTE A:PART NO. CHANGE D:NEWLY PROVIDED E:PART NO.DELETION K:REQUIRED NO. CORRECTION L:APPLICATION SERIAL NO. CORRECTION  
T:APPLICATION CORRECTION Z:REMARKS CHANGE

PARTS CATALOGUE NEWS

BOOKNo. : 13ZM00E8

Block No.	Ref. No.	Note	Part No.	Description	Reqd. QTY							Serial No.	Parts catalogue code		
					GCV 160	GCV 160 A	GCV 160 AO	GCV 160 E	GCV 160 LE	GCV 160 LA	GCV 160 LAO				
					-	1	1	-	-	-	-	-	-----	-----	A1A, A1AE, A1AF, A1AS, A1AW, A1C, A1E, A1E7 A1E8, A1M, A1W7, A2A, A2C, A2E7, A2E8, A2E9 A2G7, A2R, A3A, A3E, A7E1, BHH, EHHB, E1A2 E1A4, E1G7, E2G7, E5A4, NBL1, N1A, N1AF, N1C N1E1, N1E7, N1R, N1U, N1W7, N1W8, N1W9, N2E7 N2E8, N2E9, N2U, N3U, N3V, N5A, N5AF, N5C, N5MF N5R, N7A1, N7S1, RTL1, R1A, R3A, R3A1, STA1 STL1, S1A, S1A1, S1M, S2G7, S3A, S3A2, S3H, S3H2
					-	1	-	-	-	-	-	-	-----	-----	BHH1, N1L
E-14	3	T	16015-ZOL-881	CHAMBER SET, FLOAT (CARBURETOR NO.)	-	1	-	-	1	-	-	-	BB62W B	-----	A1AW, A1E7, A1M, A2A9, A2E7, BHH1, C1E, C1E1 C2E, C2E1, C3E, C3E1, C4E, C4E1, E2G7, N1L, N1R N1U, N2U, N3U, N3V
				(CARBURETOR NO.)	-	1	-	-	-	-	-	-	BB62Z B	-----	S3H2
				(CARBURETOR NO.)	-	1	-	-	-	-	-	-	BB65E B	-----	S2G7
					-	-	1	-	-	-	1				
				(CARBURETOR NO.)	-	-	-	1	1	1	-	-	BB62W B	-----	A1A, A1G9, A1P, A2G4, A2G7, A2G9, A3E7, A3E9 A3G9, A3T9, A3W7, A3W8, A4A9, A4G4, A4G7, A4G9 BHH, N1A, N1J1, N1T9, N1W7, N2E7, N2E8, N3T8 N3W8, N3W9
					-	-	-	1	1	-	-	-	-----	-----	A7H1, S1G4
				(CARBURETOR NO.)	-	-	-	1	-	1	-	-	BB62Y B	-----	A7E1, N7S1
				(CARBURETOR NO.)	-	-	-	1	-	1	-	-	BB62Z B	-----	R3A, S1A, S1E1, S2E1, S3A
				(CARBURETOR NO.)	-	-	-	1	-	1	-	-	BB65E B	-----	S1M, S2E2, S3E9, S3H, S4E4, S4E9
				(CARBURETOR NO.)	-	-	-	1	-	-	-	-	BB75D A	-----	S2E3, S3G9, S4G4, S4G9
				(CARBURETOR NO.)	-	-	-	-	1	1	-	-	BB62Y B	-----	N7A1
				(CARBURETOR NO.)	-	-	-	-	-	1	-	-	BB62W B	-----	A2R
				(CARBURETOR NO.)	-	-	-	-	-	1	-	-	BB65A B	-----	A1AF, N1AF, N5AF, N5MF, N5R
				(CARBURETOR NO.)	-	-	-	-	-	1	-	-	BB65L A	-----	E1A2
	6	T	16029-ZG0-901	SCREW SET (THROTTLE STOP) . . . .	1	-	-	-	1	-	-	-			

NOTE A:PART NO. CHANGE D:NEWLY PROVIDED E:PART NO.DELETION K:REQUIRED NO. CORRECTION L:APPLICATION SERIAL NO. CORRECTION  
T:APPLICATION CORRECTION Z:REMARKS CHANGE

PARTS CATALOGUE NEWS

BOOKNo. : 13ZM00E8

Block No.	Ref. No.	Note	Part No.	Description	Reqd. QTY							Serial No.	Parts catalogue code	
					GCV 160	GCV 160 A	GCV 160 AO	GCV 160 E	GCV 160 LE	GCV 160 LA	GCV 160 LAO			
					-	1	1	1	-	1	1	-----	-----	A1A, A1AS, A1AW, A1C, A1E, A1E7, A1E8, A1G7 A1G9, A1M, A1P, A1W7, A2A, A2A9, A2C, A2E7 A2E8, A2E9, A2G4, A2G7, A2G9, A2R, A3E, A3E7 A3E9, A3G9, A3T9, A3W7, A3W8, A4G4, A4G7, A4G9 A7E1, BHH, BHH1, C1E, C1E1, C2E, C2E1, C3E C3E1, C4E, C4E1, EHBB, E1A4, E1G7, E2G7, E5A4 NBL1, N1A, N1C, N1D, N1E1, N1E2, N1E7, N1J1 N1L, N1R, N1T8, N1T9, N1U, N1W7, N1W8, N1W9 N2E7, N2E8, N2E9, N2U, N3T8, N3T9, N3U, N3V N3W8, N3W9, N5A, N5C, N7A1, N7S1, S1G4, S2E3 S3G9, S4G4, S4G9
					-	1	-	-	-	-	1	-----	-----	E1A2
				(CARBURETOR NO.)	-	1	-	-	-	-	-	-----	BB62H A	A1AE, A1AF, A3A, N1AF, N5AF
				(CARBURETOR NO.)	-	1	-	-	-	-	-	BB75E A	-----	S2G7
					-	-	1	-	-	-	1	-----	-----	S1M, S2G7, S3H
				(CARBURETOR NO.)	-	-	-	1	-	1	-	BB75E A	-----	S1M, S2E2, S3E9, S3H, S4E4, S4E9
				(CARBURETOR NO.)	-	-	-	-	-	1	-	-----	BB62W A	E1A2
			16029-ZG0-901	.....	-	-	-	-	-	1	-	BB62W B	-----	E1A2
				(CARBURETOR NO.)	-	-	-	-	-	1	-	BB62W B	-----	E1A2
	9	L	16166-Z0L-841	NOZZLE, MAIN (CARBURETOR NO.)	-	1	-	1	-	-	-	-----	BB65E B	S2E2, S2G7, S3E9, S4E4, S4E9
					-	1	-	-	-	1	-	-----	-----	S1M, S3A2, S3H
				(CARBURETOR NO.)	-	-	-	1	-	-	-	-----	BB65K A	S2E3, S3G9, S4G4, S4G9
				(CARBURETOR NO.)	-	1	-	-	-	-	-	BB75E A	-----	S2G7
					-	-	1	1	-	-	1	-----	-----	S1G4, S1M, S2G7, S3H
				(CARBURETOR NO.)	-	-	-	1	-	1	-	BB75E A	-----	S1M, S2E2, S3E9, S3H, S4E4, S4E9
				(CARBURETOR NO.)	-	-	-	1	-	-	-	BB75D A	-----	S2E3, S3G9, S4G4, S4G9
	16	L	99101-124-0600	JET, MAIN, #60 .....	(1)	-	-	-	(1)	-	-			

NOTE A:PART NO. CHANGE D:NEWLY PROVIDED E:PART NO.DELETION K:REQUIRED NO. CORRECTION L:APPLICATION SERIAL NO. CORRECTION  
T:APPLICATION CORRECTION Z:REMARKS CHANGE

PARTS CATALOGUE NEWS

BOOKNo. : 13ZM00E8

Block No.	Ref. No.	Note	Part No.	Description	Reqd. QTY							Serial No.	Parts catalogue code	
					GCV 160	GCV 160 A	GCV 160 AO	GCV 160 E	GCV 160 LE	GCV 160 LA	GCV 160 LAO			
					-	(1)	(1)	(1)	-	(1)	(1)	-----	-----	A1A, A1AE, A1AF, A1AS, A1AW, A1C, A1E, A1E7 A1E8, A1G7, A1G9, A1M, A1P, A1W7, A2A, A2A9 A2C, A2E7, A2E8, A2E9, A2G4, A2G7, A2G9, A2R A3A, A3E, A3E7, A3E9, A3W7, A3W8, A7E1, BHH BHH1, C1E, C1E1, C2E, C2E1, EHHB, E1A2, E1A4 E1G7, E2G7, E5A4, NBL1, N1A, N1AF, N1C, N1D N1E1, N1E2, N1E7, N1J1, N1L, N1R, N1T8, N1T9 N1U, N1W7, N1W8, N1W9, N2E7, N2E8, N2E9, N2U N3T8, N3T9, N3U, N3V, N3W8, N3W9, N5A, N5AF N5C, N5MF, N5R, N7A1, N7S1, RTL1, R1A, R3A R3A1, STA1, STL1, S1A, S1A1, S1E1, S2E, S2E1 S3A, S3H2
				(CARBURETOR NO.)	-	-	(1)	-	-	-	-	-----	-----	C3E, C3E1, C4E, C4E1
				(CARBURETOR NO.)	-	-	-	(1)	-	-	-	-----	BB65K A	S2E3, S3G9, S4G4, S4G9
		T	99101-124-0620	JET, MAIN, #62 .....	(1)	-	(1)	-	(1)	-	(1)			
				(CARBURETOR NO.)	-	(1)	-	(1)	-	(1)	-	-----	-----	A1A, A1AE, A1AF, A1AS, A1AW, A1C, A1E, A1E7 A1E8, A1G7, A1G9, A1M, A1P, A1W7, A2A, A2A9 A2C, A2E7, A2E8, A2E9, A2G4, A2G7, A2G9, A2R A3A, A3E, A3E7, A3E9, A3G9, A3T9, A3W7, A3W8 A4G4, A4G7, A4G9, A7E1, BHH, BHH1, C1E, C1E1 C2E, C2E1, C3E, C3E1, C4E, C4E1, EHHB, E1A2 E1A4, E1G7, E2G7, E5A4, NBL1, N1A, N1AF, N1C N1D, N1E1, N1E2, N1E7, N1J1, N1L, N1R, N1T8 N1T9, N1U, N1W7, N1W8, N1W9, N2E7, N2E8, N2E9 N2U, N3T8, N3T9, N3U, N3V, N3W8, N3W9, N5A N5AF, N5C, N5MF, N5R, N7A1, N7S1, RTL1, R1A R3A, R3A1, STA1, STL1, S1A, S1A1, S1E1, S1G4 S2E, S2E1, S2E3, S3A, S3G9, S3H2, S4G4, S4G9
				(CARBURETOR NO.)	-	(1)	-	-	-	-	-	BB75E A	-----	S2G7
				(CARBURETOR NO.)	-	-	-	(1)	-	(1)	-	BB75E A	-----	S1M, S2E2, S3E9, S3H, S4E4, S4E9
		L	99101-124-0650	JET, MAIN, #65 .....	1	-	-	-	1	-	-			

NOTE A:PART NO. CHANGE D:NEWLY PROVIDED E:PART NO.DELETION K:REQUIRED NO. CORRECTION L:APPLICATION SERIAL NO. CORRECTION  
T:APPLICATION CORRECTION Z:REMARKS CHANGE

PARTS CATALOGUE NEWS

BOOKNo. : 13ZM00E8

Block No.	Ref. No.	Note	Part No.	Description	Reqd. QTY							Serial No.	Parts catalogue code	
					GCV 160	GCV 160 A	GCV 160 AO	GCV 160 E	GCV 160 LE	GCV 160 LA	GCV 160 LAO			
					-	1	1	1	-	1	1			A1A, A1AE, A1AF, A1AS, A1AW, A1C, A1E, A1E7, A1E8, A1G7, A1G9, A1M, A1P, A1W7, A2A, A2A9, A2C, A2E7, A2E8, A2E9, A2G4, A2G7, A2G9, A2R, A3A, A3E, A3E7, A3E9, A3G9, A3T9, A3W7, A3W8, A4G4, A4G7, A4G9, A7E1, BHH, BHH1, C1E, C1E1, C2E, C2E1, C3E, C3E1, C4E, C4E1, EHHB, E1A2, E1A4, E1G7, E2G7, E5A4, NBL1, N1A, N1AF, N1C, N1D, N1E1, N1E2, N1E7, N1J1, N1L, N1R, N1T8, N1T9, N1U, N1W7, N1W8, N1W9, N2E7, N2E8, N2E9, N2U, N3T8, N3T9, N3U, N3V, N3W8, N3W9, N5A, N5AF, N5C, N5MF, N5R, N7A1, N7S1, RTL1, R1A, R3A, R3A1, STA1, STL1, S1A, S1A1, S1E1, S2E, S2E1, S3A, S3H2
					-	(1)	(1)	(1)	-	(1)	(1)			S1G4, S1M, S2E2, S2G7, S3A2, S3E9, S3H, S4E4, S4E9
				(CARBURETOR NO.)	-	-	-	1	-	-	-	BB65K A		S2E3, S3G9, S4G4, S4G9
	T		99101-124-0680	JET, MAIN, #68 (CARBURETOR NO.)	-	1	-	-	-	-	-	BB75E A		S2G7
				(CARBURETOR NO.)	-	-	-	1	-	1	-	BB75E A		S1M, S2E2, S3E9, S3H, S4E4, S4E9
	L		99101-124-0700	JET, MAIN, #70	-	1	-	-	-	-	-			S1M, S3A2, S3H
				(CARBURETOR NO.)	-	1	-	-	-	-	-	BB65E B		S2G7
				(CARBURETOR NO.)	-	-	-	1	-	1	-	BB65E B		S1M, S2E2, S3E9, S3H, S4E4, S4E9
	D		99101-124-0650	JET, MAIN, #65 (CARBURETOR NO.)	-	-	-	(1)	-	-	-	BB75D A		S2E3, S3G9, S4G4, S4G9
	D		99101-124-0680	JET, MAIN, #68	-	(1)	-	1	-	-	1			S1G4, S1M, S3A2, S3H
				(CARBURETOR NO.)	-	(1)	-	-	-	-	-	BB65E B		S2G7
				(CARBURETOR NO.)	-	-	1	-	-	-	-			S2G7
				(CARBURETOR NO.)	-	-	-	(1)	-	(1)	-	BB65E B		S1M, S2E2, S3E9, S3H, S4E4, S4E9
				(CARBURETOR NO.)	-	-	-	(1)	-	-	-	BB75D A		S2E3, S3G9, S4G4, S4G9
	17	L	16024-ZE1-811	SCREW SET, DRAIN	1	1	-	1	-	-	-			A1AF, A1AS, A1E8, A1G7, A1W2, A1W7, A2E4, A2E8, A2E9, A2R, N1E7, N1W1, N1W2, N1W8, N1W9, N2E9, N7A1
					1	1	-	-	-	-	-			A2G7, A7E1, N1J1, N1W7, N2E7, N2E8

NOTE A:PART NO. CHANGE D:NEWLY PROVIDED E:PART NO.DELETION K:REQUIRED NO. CORRECTION L:APPLICATION SERIAL NO. CORRECTION  
T:APPLICATION CORRECTION Z:REMARKS CHANGE

PARTS CATALOGUE NEWS

BOOKNo. : 13ZM00E8

Block No.	Ref. No.	Note	Part No.	Description	Reqd. QTY								Serial No.	Parts catalogue code
					GCV 160	GCV 160 A	GCV 160 AO	GCV 160 E	GCV 160 LE	GCV 160 LA	GCV 160 LAO			
					1	-	-	1	-	-	-	-----	-----	A1E7, A2E7, N1R, N3U
				(CARBURETOR NO.)	1	-	-	-	-	-	-	BB62A D	-----	A1E, A1J, A1P, A1U, A2E, A2U, A3E, A4E, N1, N1D N1E1, N1E2, N1U, N1W, N2, N2D, N2E, N2E1, N2E2 N2E3, N2U, N3V
				(CARBURETOR NO.)	1	-	-	-	-	-	-	BB62B D	-----	A1A, A2A
				(CARBURETOR NO.)	1	-	-	-	-	-	-	BB64B C	-----	A1C, A2C
					-	1	-	1	-	-	-	-----	-----	A1A, A1C, A1E, A2A, A2A9, A2C, A3A, A3E, BHH EHHB, E1A2, E1A4, E1G7, E5A4, NBL1, N1A, N1AF N1C, N1D, N1E1, N1E2, N1T8, N3T9, N5A, N5AF N5C, N5MF, N5R, N7S1, RTL1, R1A, R3A, R3A1 STA1, STL1, S1A, S1A1, S1M, S2E, S2E3, S3A S3A2, S3H
				(CARBURETOR NO.)	-	1	-	1	-	-	-	-----	BB65K A	A1AE, S3G9, S4G4, S4G9
				(CARBURETOR NO.)	-	1	-	-	1	-	-	-----	BB62W A	A1AW, A1E7, A1M, A2A9, A2E7, BHH1, C1E, C1E1 C2E, C2E1, C3E, C3E1, C4E, C4E1, E2G7, N1L, N1R N1U, N2U, N3U, N3V
				(CARBURETOR NO.)	-	1	-	-	-	-	-	-----	BB62Z A	S3H2
				(CARBURETOR NO.)	-	1	-	-	-	-	-	-----	BB65E A	S2G7
				(CARBURETOR NO.)	-	-	-	1	1	1	-	-----	BB62W A	A1A, A1G9, A1P, A2G4, A2G7, A2G9, A3E7, A3E9 A3G9, A3T9, A3W7, A3W8, A4A9, A4G4, A4G7, A4G9 BHH, E1A2, N1A, N1J1, N1T9, N1W7, N2E7, N2E8 N3T8, N3W8, N3W9
				(CARBURETOR NO.)	-	-	-	1	-	1	-	-----	BB62Y A	A7E1, N7S1
				(CARBURETOR NO.)	-	-	-	1	-	1	-	-----	BB62Z A	R3A, S1A, S1E1, S2E1, S3A
				(CARBURETOR NO.)	-	-	-	1	-	1	-	-----	BB65E A	S1M, S2E2, S3E9, S3H, S4E4, S4E9
				(CARBURETOR NO.)	-	-	-	-	1	1	-	-----	BB62Y A	N7A1
				(CARBURETOR NO.)	-	-	-	-	-	1	-	-----	BB62W A	A2R
				(CARBURETOR NO.)	-	-	-	-	-	1	-	-----	BB65A A	A1AF, N1AF, N5AF, N5MF, N5R
	24	L	16015-887-782	CHAMBER SET, FLOAT .....	1	1	-	1	-	-	-	-----	-----	A1AE, A1AF, A1AS, A1E8, A1G7, A1W2, A1W7, A2E4 A2E8, A2E9, A2R, N1E7, N1W1, N1W2, N1W8, N1W9 N2E9, N7A1

NOTE A:PART NO. CHANGE D:NEWLY PROVIDED E:PART NO.DELETION K:REQUIRED NO. CORRECTION L:APPLICATION SERIAL NO. CORRECTION  
T:APPLICATION CORRECTION Z:REMARKS CHANGE

PARTS CATALOGUE NEWS

BOOKNo. : 13ZM00E8

Block No.	Ref. No.	Note	Part No.	Description	Reqd. QTY							Serial No.	Parts catalogue code		
					GCV 160	GCV 160 A	GCV 160 AO	GCV 160 E	GCV 160 LE	GCV 160 LA	GCV 160 LAO				
					1	1	-	-	-	-	-	-	-----	-----	A2G7, A7E1, N1J1, N1W7, N2E7, N2E8
					1	-	-	1	-	-	-	-	-----	-----	A1E7, A2E7, N1R, N3U
				(CARBURETOR NO.)	1	-	-	-	-	-	-	-	BB62A D	-----	A1E, A1J, A1P, A1U, A2E, A2U, A3E, A4E, N1, N1D N1E1, N1E2, N1U, N1W, N2, N2D, N2E, N2E1, N2E2 N2E3, N2U, N3V
				(CARBURETOR NO.)	1	-	-	-	-	-	-	-	BB62B D	-----	A1A, A1C, A2A, A2C
					-	1	-	1	-	-	-	-	-----	-----	A1A, A1C, A1E, A2A, A2A9, A2C, A3A, A3E, BHH EHHB, E1A2, E1A4, E1G7, E5A4, NBL1, N1A, N1AF N1C, N1D, N1E1, N1E2, N1T8, N3T9, N5A, N5AF N5C, N5MF, N5R, N7S1, RTL1, R1A, R3A, R3A1 STA1, STL1, S1A, S1A1, S1M, S2E, S3A, S3A2, S3H
				(CARBURETOR NO.)	-	1	-	1	-	-	-	-	-----	BB62W A	A1AW, A1G9, A1M, A1P, A2G4, A2G9, A3E7, A3E9 A3G9, A3T9, A3W7, A3W8, A4G4, A4G7, A4G9, BHH1 C1E, C1E1, C2E, C2E1, C3E, C3E1, C4E, C4E1 E2G7, N1J1, N1L, N1T9, N1U, N2U, N3T8, N3U, N3V N3W8, N3W9
				(CARBURETOR NO.)	-	1	-	1	-	-	-	-	-----	BB62Z A	S1E1, S2E1, S3H2
				(CARBURETOR NO.)	-	1	-	1	-	-	-	-	-----	BB65E A	S2E2, S2G7, S3E9, S4E4, S4E9
				(CARBURETOR NO.)	-	1	-	-	-	-	-	-	-----	BB62W A	A1E7, A2E7, N1R
				(CARBURETOR NO.)	-	-	-	1	-	-	-	-	-----	BB62W A	A2G7, N1W7, N2E7, N2E8
				(CARBURETOR NO.)	-	-	-	1	-	-	-	-	-----	BB62Y A	A7E1
				(CARBURETOR NO.)	-	-	-	1	-	-	-	-	-----	BB65K A	S2E3, S3G9, S4G4, S4G9
	25	T	16148-Z1L-851	CAP. CHOKE DUST (CARBURETOR NO.)	-	1	-	-	-	-	-	-	BB75E A	-----	S2G7
					-	-	1	1	-	-	1	-	-----	-----	S1G4, S1M, S2E3, S2G7, S3G9, S3H, S4G4, S4G9
				(CARBURETOR NO.)	-	-	-	1	-	1	-	-	BB75E A	-----	S1M, S2E2, S3E9, S3H, S4E4, S4E9

NOTE A:PART NO. CHANGE D:NEWLY PROVIDED E:PART NO.DELETION K:REQUIRED NO. CORRECTION L:APPLICATION SERIAL NO. CORRECTION  
T:APPLICATION CORRECTION Z:REMARKS CHANGE





# PARTS CATALOGUE NEWS

Honda Motor Co., Ltd. Service Division

## PARTS CATALOGUE - CORRECTED

Printed in Japan

CODE NO.	13ZM00E8
PARTS CATALOGUE NEWS	GCV160 GCV160A GCV160A0 GCV160E GCV160LE GCV160LA GCV160LA0
NEWS NO.	003

Block No.	Ref. No.	Note	Part No.	Description	Reqd. QTY								Serial No.	Parts catalogue code
					GCV 160	GCV 160 A	GCV 160 A0	GCV 160 E	GCV 160 LE	GCV 160 LA	GCV 160 LA0			
E-22	8	T	16593-ZMO-000	SPRING, CONTROL LEVER RETURN .	1	1	1	1	-	1	-	-----	-----	A1W2, A1W7, A3T9, BHH, BHH1, EHHB, NBL1, N1D N1E1, N1E2, N1E7, N1J1, N1R, N1T9, N1W, N1W1 N1W2, N1W9, N2D, N2E, N2E1, N2E2, N2E3, N2E7 N2E8, N2E9, N3T9, N3W9, S1G4
					1	1	-	-	-	-	-	-----	-----	N1U, N2U, N3U, N3V
					-	-	-	1	-	-	-	-----	1684422	A3W7, A3W8

NOTE A:PART NO. CHANGE D:NEWLY PROVIDED E:PART NO.DELETION K:REQUIRED NO. CORRECTION L:APPLICATION SERIAL NO. CORRECTION  
T:APPLICATION CORRECTION Z:REMARKS CHANGE



# PARTS CATALOGUE NEWS

Honda Motor Co., Ltd. Service Division

## PARTS CATALOGUE - CORRECTED

Printed in Japan

CODE NO.	13ZM00E8
PARTS CATALOGUE NEWS	GCV160 GCV160A GCV160A0 GCV160E GCV160LE GCV160LA GCV160LA0
NEWS NO.	004

Block No.	Ref. No.	Note	Part No.	Description	Reqd. QTY								Serial No.	Parts catalogue code
					GCV 160	GCV 160 A	GCV 160 A0	GCV 160 E	GCV 160 LE	GCV 160 LA	GCV 160 LA0			
E-28	22	T	87101-ZMO-020	MARK, EMBLEM (GCV160) .....	-	1	1	-	-	-	-	-	-----	A1AW, C1E, C1E1, C2E, C2E1, C3E, C3E1, C4E, C4E1
					-	-	1	-	-	1	-	-----	A1A, A1E7, A1M, A2E7, BHH1, E2G7, N1L, N1R, N1U S2G7, S3H2	
					-	-	-	1	-	-	-	2189260	A2A9, A2R, N1D, N1R, S1E1	

NOTE A:PART NO. CHANGE D:NEWLY PROVIDED E:PART NO.DELETION K:REQUIRED NO. CORRECTION L:APPLICATION SERIAL NO. CORRECTION  
T:APPLICATION CORRECTION Z:REMARKS CHANGE



# PARTS CATALOGUE NEWS

Honda Motor Co., Ltd. Service Division

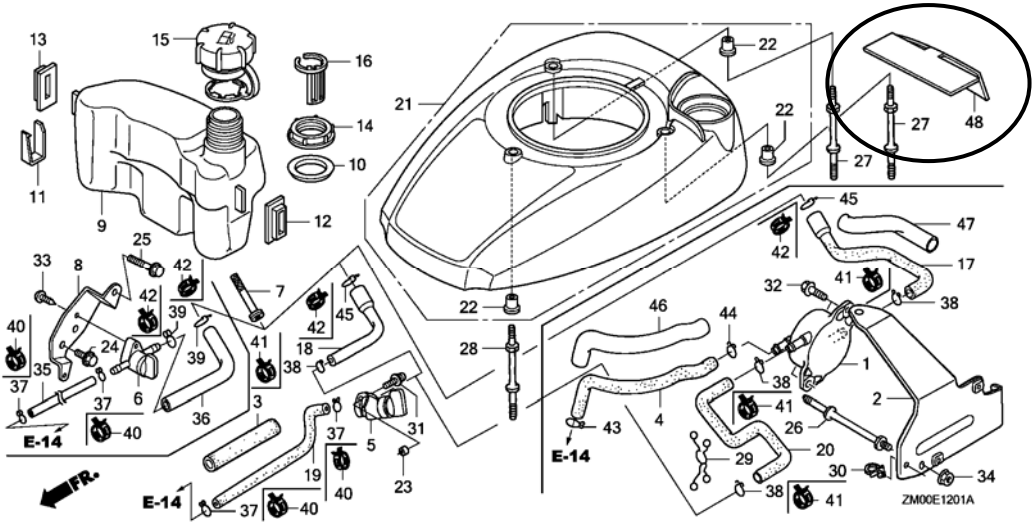
## PARTS CATALOGUE - CORRECTED

Printed in Japan

CODE NO.	13ZM00E8
PARTS CATALOGUE NEWS	GCV160 GCV160A GCV160A0 GCV160E GCV160LE GCV160LA GCV160LA0
NEWS NO.	005

Block No.	Ref. No.	Note	Part No.	Description	Reqd. QTY							Serial No.	Parts catalogue code
					GCV 160	GCV 160 A	GCV 160 A0	GCV 160 E	GCV 160 LE	GCV 160 LA	GCV 160 LA0		

E-12-1 FAN COVER (2)



E-12-1	48	D	19617-ZOY-300	RUBBER, FAN COVER .....	-	-	-	-	-	1	-	6702082	N1A
E-19-3	5	T	28452-ZOJ-900	GRID, SCREEN .....	-	-	1	-	-	-	1	-	BHH, BHH1

NOTE A:PART NO. CHANGE D:NEWLY PROVIDED E:PART NO.DELETION K:REQUIRED NO. CORRECTION L:APPLICATION SERIAL NO. CORRECTION  
T:APPLICATION CORRECTION Z:REMARKS CHANGE

PARTS CATALOGUE NEWS

BOOKNo. : 13ZM00E8

Block No.	Ref. No.	Note	Part No.	Description	Reqd. QTY								Serial No.	Parts catalogue code
					GCV 160	GCV 160 A	GCV 160 AO	GCV 160 E	GCV 160 LE	GCV 160 LA	GCV 160 LAO			
					-	-	-	-	-	1	-	6702083	-----	A2R, BHH, N1AF, N5AF, N5MF

NOTE A:PART NO. CHANGE D:NEWLY PROVIDED E:PART NO.DELETION K:REQUIRED NO. CORRECTION L:APPLICATION SERIAL NO. CORRECTION  
T:APPLICATION CORRECTION Z:REMARKS CHANGE



# PARTS CATALOGUE NEWS

Honda Motor Co., Ltd. Service Division

## PARTS CATALOGUE - CORRECTED

Printed in Japan

CODE NO.	13ZM00E8
PARTS CATALOGUE NEWS	GCV160 GCV160A GCV160A0 GCV160E GCV160LE GCV160LA GCV160LA0
NEWS NO.	006

Block No.	Ref. No.	Note	Part No.	Description	Reqd. QTY								Serial No.	Parts catalogue code
					GCV 160	GCV 160 A	GCV 160 A0	GCV 160 E	GCV 160 LE	GCV 160 LA	GCV 160 LA0			
E-28	20	T	87114-ZH7-000	LABEL, WARNING (NOT CERTIFIED FOR SALE)	-	1	1	-	-	-	-	-	-----	A1AW

NOTE A:PART NO. CHANGE D:NEWLY PROVIDED E:PART NO.DELETION K:REQUIRED NO. CORRECTION L:APPLICATION SERIAL NO. CORRECTION  
T:APPLICATION CORRECTION Z:REMARKS CHANGE



# PARTS CATALOGUE NEWS

Honda Motor Co., Ltd. Service Division

Printed in Japan

CODE NO.	13ZM00E8
PARTS CATALOGUE NEWS	GCV160 GCV160A GCV160A0 GCV160E GCV160LE GCV160LA GCV160LA0
NEWS NO.	007

## GCV160A0-N5RE TYPE sales parts information

NOTE: This Parts Catalogue News explains only the parts of the different model that are produced to conform to addition of the GCV160A0-N5RE type.

As for the parts not listed on this Parts Catalogue News, use the parts of the GCV160LA0-N5R type.

**•Models, parts catalogue codes and applicable serial numbers**

Model	Type		Parts catalogue type	Applicable engine serial No.	Applicable carburetor identification No.
GCV160LA0	N5R	Base Type	N5R	GJARA-1000001~	BB65A B
GCV160A0	N5RE	Additional Type	N5RE	GJAPA-1000001~	

•Features of each type		Base type	Additional type
Model		GCV160LA0	GCV160A0
Specifications Type		N5R	N5RE
Crankshaft	20mm Ø Straight (133.8mm)		
	22.2mm Ø Straight (100.4mm)	●	●
	22.2mm Ø Straight (117.4mm) (Depth 24mm)		
	22.2mm Ø Straight (117.4mm) (Depth 52mm)		
	22.2mm Ø Straight (135.7mm)		
	25mm Ø Straight (117.4mm)		
	25mm Ø Straight (135.7mm) (3/8-24 UNF)		
	25mm Ø Straight (135.7mm) (7/16-20 UNF)		
	M14 Stepped thread (137.4mm)		
	Recoil starter	●	●
Recoil starter (Long rope)			
Flywheel brake			
Starter motor			

PARTS CATALOGUE NEWS

BOOKNo. : 13ZM00E8

Block No.	Ref. No.	Part No.	Description	Reqd. QTY							Base Part No.	Parts catalogue code
				GCV 160	GCV 160 A	GCV 160 A0	GCV 160 E	GCV 160 LE	GCV 160 LA	GCV 160 LA0		
E-11	1		STARTER ASSY., RECOIL *R280*..... POWER RED	-	-	0	-	-	-	-	28400-ZL8-023ZC	
	17	28400-ZL8-023ZA	STARTER ASSY., RECOIL *NH1*..... BLACK	-	-	1	-	-	-	-		
E-12-1	21	19610-Z0L-851ZA	COVER COMP., FAN *NH1*..... BLACK	-	-	1	-	-	-	-	19610-Z0L-851ZE	
E-28	3	87531-Z0Y-M11ZB	MARK, HONDA *TYPE2*(BLACK) ...	-	-	1	-	-	-	-	87531-Z0Y-M11ZA	
	20	87114-ZH7-840	LABEL, WARNING (NOT CERTIFIED FOR SALE)	-	-	1	-	-	-	-	87114-ZH7-821	





# PARTS CATALOGUE NEWS

Honda Motor Co., Ltd. Service Division

## PARTS CATALOGUE - CORRECTED

Printed in Japan

CODE NO.	13ZM00E8
PARTS CATALOGUE NEWS	GCV160 GCV160A GCV160A0 GCV160E GCV160LE GCV160LA GCV160LA0
NEWS NO.	008

Block No.	Ref. No.	Note	Part No.	Description	Reqd. QTY								Serial No.	Parts catalogue code
					GCV 160	GCV 160 A	GCV 160 A0	GCV 160 E	GCV 160 LE	GCV 160 LA	GCV 160 LA0			
E-22	8	D	16593-ZOL-000	SPRING, CONTROL LEVER RETURN .	-	-	1	-	-	-	1	-----	-----	BHH, N1U, N2U, N3U, N3V

NOTE A:PART NO. CHANGE D:NEWLY PROVIDED E:PART NO.DELETION K:REQUIRED NO. CORRECTION L:APPLICATION SERIAL NO. CORRECTION  
T:APPLICATION CORRECTION Z:REMARKS CHANGE



# PARTS CATALOGUE NEWS

Honda Motor Co., Ltd. Service Division

## PARTS CATALOGUE - CORRECTED

Printed in Japan

CODE NO.	13ZM00E8
PARTS CATALOGUE NEWS	GCV160 GCV160A GCV160A0 GCV160E GCV160LE GCV160LA GCV160LA0
NEWS NO.	009

Block No.	Ref. No.	Note	Part No.	Description	Reqd. QTY								Serial No.	Parts catalogue code
					GCV 160	GCV 160 A	GCV 160 A0	GCV 160 E	GCV 160 LE	GCV 160 LA	GCV 160 LA0			
E-3	1		12000-ZOL-406	BARREL ASSY., CYLINDER .....	-	1	1	1	-	1	1	-----	-----	A1AW, S1M, S2E2, S2E3, S3A2, S3E9, S3G9, S3H S4E4, S4E9, S4G4, S4G9
					-	1	-	-	-	-	-----	-----	S2G7	
					-	-	1	-	-	-	1	-----	-----	A1A, A1AF, A1E7, A1M, A2E7, A2R, N1A, N1AF, N1L N1R, N1U, N2U, N3U, N3V, N5AF, N5MF, N5R, N5RE N7A1, N7S1, S1A, S3A, S3H2
					-	-	1	-	-	-	-	-----	1059693	S2G7
	A		12000-ZOL-940	.....	-	-	1	-	-	-	1059694	-----	S2G7	

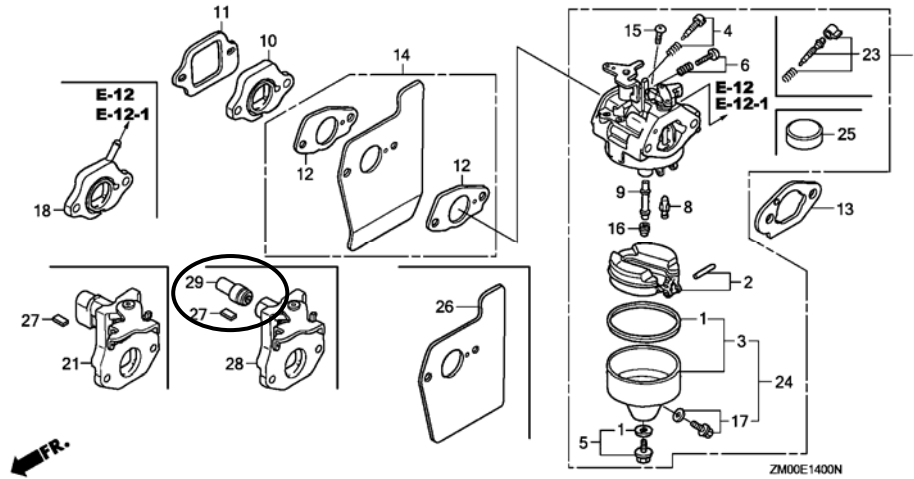
NOTE A:PART NO. CHANGE D:NEWLY PROVIDED E:PART NO.DELETION K:REQUIRED NO. CORRECTION L:APPLICATION SERIAL NO. CORRECTION  
T:APPLICATION CORRECTION Z:REMARKS CHANGE

PARTS CATALOGUE NEWS

BOOKNo. : 13ZM00E8

Block No.	Ref. No.	Note	Part No.	Description	Reqd. QTY								Serial No.	Parts catalogue code
					GCV 160	GCV 160 A	GCV 160 AO	GCV 160 E	GCV 160 LE	GCV 160 LA	GCV 160 LAO			

E-14 CARBURETOR



E-14	7		16100-Z0L-874	CARBURETOR ASSY. (BB75E A) ...	-	-	1	-	-	-	-	-	-----	1064371	S2G7
					-	-	-	-	-	-	-	1	-----	-----	S1M, S3H
		A	16100-Z0L-875	CARBURETOR ASSY. (BB75E B) ...	-	-	1	-	-	-	-	-	1064372	-----	S2G7
	21	L	16600-Z0L-840	CONTROL ASSY., CHOKE .....	-	1	-	1	-	1	1	-	-----	-----	S1M, S2E2, S2E3, S2G7, S3A2, S3E9, S3G9, S3H S4E4, S4E9, S4G4, S4G9
					-	-	1	-	-	-	-	-	-----	1059693	S2G7
	28	D	16600-Z1L-840	CONTROL ASSY., CHOKE .....	-	-	1	-	-	-	-	-	1059694	-----	S2G7
	29	T	16620-Z1L-841	THERMOWAX ASSY. ....	-	-	1	-	-	-	-	-	1059694	-----	S2G7
					-	-	-	1	-	-	-	-	-----	-----	S1G4

NOTE A:PART NO. CHANGE D:NEWLY PROVIDED E:PART NO.DELETION K:REQUIRED NO. CORRECTION L:APPLICATION SERIAL NO. CORRECTION  
T:APPLICATION CORRECTION Z:REMARKS CHANGE



# PARTS CATALOGUE NEWS

Honda Motor Co., Ltd. Service Division

## PARTS CATALOGUE - CORRECTED

Printed in Japan

CODE NO.	13ZM00E8
PARTS CATALOGUE NEWS	GCV160 GCV160A GCV160A0 GCV160E GCV160LE GCV160LA GCV160LA0
NEWS NO.	010

Block No.	Ref. No.	Note	Part No.	Description	Reqd. QTY								Serial No.	Parts catalogue code	
					GCV 160	GCV 160 A	GCV 160 A0	GCV 160 E	GCV 160 LE	GCV 160 LA	GCV 160 LA0				
E-15	3		17220-ZMO-010	CASE ASSY., AIR CLEANER .....	-	1	-	1	1	-	-	-	-	-----	A1AW, A7H1, S1G4
					-	1	-	-	-	-	-	-	6624356	-----	A1E7, A1M, A2E7, BHH1, C1E, C1E1, C2E, C2E1 C3E, C3E1, C4E, C4E1, N1L, N1R, N1U, N2U, N3U N3V, S2G7, S3H2
					-	-	1	-	-	-	-	-	-----	1079019	
					-	-	-	1	1	-	-	-	2441542	-----	A1E7, A1E8, A1G7, A1G9, A1P, A1W7, A2E7, A2E8 A2E9, A2G4, A2G7, A2G9, A3E7, A3E9, A3G9, A3T9 A3W7, A3W8, A4A9, A4G4, A4G7, A4G9, A7E1, N1D N1E1, N1E2, N1E7, N1J1, N1R, N1T8, N1T9, N1W7 N1W8, N1W9, N2E7, N2E8, N2E9, N3T8, N3T9, N3W8 N3W9, S1E1, S2E, S2E1, S2E2, S2E3, S3E9, S3G9 S4E4, S4E9, S4G4, S4G9
					-	-	-	-	1	-	-	-	2441542	-----	A2A9, N7A1
					-	-	-	-	-	1	-	-	6624356	-----	A1A, A1AF, A2R, BHH, N1A, N1AF, N5AF, N5MF, N5R N7A1, N7S1, S1A, S1M, S3A, S3H
					-	-	-	-	-	1					
	A		17220-ZMO-020	.....	-	-	1	-	-	-	-	1079020			

NOTE A:PART NO. CHANGE D:NEWLY PROVIDED E:PART NO.DELETION K:REQUIRED NO. CORRECTION L:APPLICATION SERIAL NO. CORRECTION  
T:APPLICATION CORRECTION Z:REMARKS CHANGE



# PARTS CATALOGUE NEWS

Honda Motor Co., Ltd. Service Division

## PARTS CATALOGUE - CORRECTED

Printed in Japan

CODE NO.	13ZM00E8
PARTS CATALOGUE NEWS	GCV160 GCV160A GCV160A0 GCV160E GCV160LE GCV160LA GCV160LA0
NEWS NO.	011

Block No.	Ref. No.	Note	Part No.	Description	Reqd. QTY								Serial No.	Parts catalogue code
					GCV 160	GCV 160 A	GCV 160 A0	GCV 160 E	GCV 160 LE	GCV 160 LA	GCV 160 LA0			
E-3	1	D	12000-ZOL-409	BARREL ASSY., CYLINDER .....	-	-	1	-	-	-	-	1059694	-----	S2G7
		E	12000-ZOL-940	*PARTS NO. DELETION										

NOTE A:PART NO. CHANGE D:NEWLY PROVIDED E:PART NO.DELETION K:REQUIRED NO. CORRECTION L:APPLICATION SERIAL NO. CORRECTION  
T:APPLICATION CORRECTION Z:REMARKS CHANGE



# PARTS CATALOGUE NEWS

Honda Motor Co., Ltd. Service Division

## PARTS CATALOGUE - CORRECTED

Printed in Japan

CODE NO.	13ZM00E8
PARTS CATALOGUE NEWS	GCV160 GCV160A GCV160A0 GCV160E GCV160LE GCV160LA GCV160LA0
NEWS NO.	012

Block No.	Ref. No.	Note	Part No.	Description	Reqd. QTY								Serial No.	Parts catalogue code
					GCV 160	GCV 160 A	GCV 160 A0	GCV 160 E	GCV 160 LE	GCV 160 LA	GCV 160 LA0			
E-12-1	48	T	19617-ZOY-300	RUBBER, FAN COVER .....	-	-	-	-	-	1	-	-----	-----	N1A
					-	-	-	-	-	1	-	-----	1134535	N1A
E-19-3	5	T	28452-ZOJ-900	GRID, SCREEN .....	-	-	1	-	-	-	1	-----	-----	BHH, BHH1
					-	-	-	-	-	1	-	6702083	-----	BHH

NOTE A:PART NO. CHANGE D:NEWLY PROVIDED E:PART NO.DELETION K:REQUIRED NO. CORRECTION L:APPLICATION SERIAL NO. CORRECTION  
T:APPLICATION CORRECTION Z:REMARKS CHANGE



# PARTS CATALOGUE NEWS

Honda Motor Co., Ltd. Service Division

Printed in Japan

CODE NO.	13ZM00E8
PARTS CATALOGUE NEWS	GCV160 GCV160A GCV160A0 GCV160E GCV160LE GCV160LA GCV160LA0
NEWS NO.	013

## GCV160LA0-SBT, S3T TYPES sales parts information

NOTE: This Parts Catalogue News explains only the parts of the different model that are produced to conform to addition of the GCV160LA0-SBT, S3T types.

As for the parts not listed on this Parts Catalogue News, use the parts of the GCV160LA0-BHH, S3H types.

### •Models, parts catalogue codes and applicable serial numbers

Model	Type		Parts catalogue type	Applicable engine serial No.	Applicable carburetor identification No.
GCV160LA0	BHH	Base Type	BHH	GJARA-1000001~	BB62W B
	SBT	Additional Type	SBT		BB75E B
	S3H	Base Type	S3H		BB75E A
	S3T	Additional Type	S3T		BB75E B

•Features of each type		Base type	Additional type	Base type	Additional type
Model		GCV160LA0			
Type		BHH	SBT	S3H	S3T
Specifications	20mm Ø Straight (133.8mm)	●			
	22.2mm Ø Straight (100.4mm)				
	22.2mm Ø Straight (117.4mm) (Depth 24mm)				
	22.2mm Ø Straight (117.4mm) (Depth 52mm)				
	22.2mm Ø Straight (135.7mm)				
	25mm Ø Straight (117.4mm)				
	25mm Ø Straight (135.7mm) (3/8-24 UNF)			●	●
	25mm Ø Straight (135.7mm) (7/16-20 UNF)				
	M14 Stepped thread (137.4mm)		●		
Recoil starter					
Recoil starter (Long rope)		●	●	●	●
Flywheel brake				●	●
Starter motor					



## PARTS CATALOGUE NEWS

BOOKNo. : 13ZM00E8

Block No.	Ref. No.	Part No.	Description	Reqd. QTY							Base Part No.	Parts catalogue code
				GCV 160	GCV 160 A	GCV 160 AO	GCV 160 E	GCV 160 LE	GCV 160 LA	GCV 160 LAO		
E-3	1	12000-ZOL-406	BARREL ASSY., CYLINDER .....	-	-	-	-	-	-	1	12000-ZOL-407	SBT
	7	91201-ZL8-003	OIL SEAL, 25.4X62X6 .....	-	-	-	-	-	-	1	91201-ZOY-003	SBT
	11		VALVE, IN. (ROCKNEL) .....	-	-	-	-	-	-	0	14711-ZOJ-000	
E-6	1	11300-ZM0-405	PAN ASSY., OIL .....	-	-	-	-	-	-	1		SBT
E-7	7		CRANKSHAFT COMP. ....	-	-	-	-	-	-	0	13310-ZM0-640	SBT
	10	13310-ZOL-S20	CRANKSHAFT COMP. ....	-	-	-	-	-	-	1		SBT
E-11	1	28400-ZOL-V20ZA	STARTER ASSY., RECOIL (LONG ROPE) *NH1*.....BLACK	-	-	-	-	-	-	1	28400-ZM0-633ZA	S3T
	9	28462-ZOL-V20	ROPE, RECOIL STARTER (BLACK) (LONG TYPE)	-	-	-	-	-	-	1	28462-ZL8-631	S3T
E-12-1	3		RUBBER, SUPPORTER (107MM) ....	-	-	-	-	-	-	0	16854-ZH8-000	SBT
	5		COCK ASSY., FUEL .....	-	-	-	-	-	-	0	16950-ZM0-003	SBT
	6	16950-ZOY-003	COCK ASSY., FUEL .....	-	-	-	-	-	-	1		SBT
	8	16961-ZOL-900	STAY, FUEL COCK .....	-	-	-	-	-	-	1		SBT
	18		TUBE, FUEL TANK (FKM) .....	-	-	-	-	-	-	0	17701-Z8B-811	SBT
	19		TUBE, FUEL (FKM) .....	-	-	-	-	-	-	0	17702-Z8B-801	SBT
	21		COVER COMP., FAN *T89*.....CRAFTSMAN RED	-	-	-	-	-	-	0	19610-ZOL-851ZB	SBT
			*T93*.....HUSQVARNA GRAY	-	-	-	-	-	-	0	19610-ZOL-851ZC	SBT
			*T98*.....MTD RED	-	-	-	-	-	-	0	19610-ZOL-851ZD	S3T
	23		COLLAR, FUEL COCK .....	-	-	-	-	-	-	0	91501-ZOL-800	SBT
	24	90013-883-000	BOLT, FLANGE, 6X12 (CT200) ....	-	-	-	-	-	-	1		SBT
25	90015-883-000	BOLT, FLANGE, 6X28 (CT200) ....	-	-	-	-	-	-	1		SBT	
31		SCREW-WASHER, 5X10 .....	-	-	-	-	-	-	0	93891-05010-08	SBT	
33	93913-25220	SCREW, TAPPING, 5X12 (PO) .....	-	-	-	-	-	-	1		SBT	

PARTS CATALOGUE NEWS

BOOKNo. : 13ZM00E8

Block No.	Ref. No.	Part No.	Description	Reqd. QTY							Base Part No.	Parts catalogue code
				GCV 160	GCV 160 A	GCV 160 AO	GCV 160 E	GCV 160 LE	GCV 160 LA	GCV 160 LAO		
	35	91424-Z8B-821	TUBE, FUEL, 4.5X110 (FKM) . . . . .	-	-	-	-	-	-	1		SBT
	36	91427-Z8B-821	TUBE, FUEL, 7.3X160 (FKM) . . . . .	-	-	-	-	-	-	1		SBT
	41		CLAMP, TUBE (D10) . . . . .	-	-	-	-	-	-	0	95002-41000-08	SBT
	42	95002-41200-08	CLAMP, TUBE (D12) . . . . .	-	-	-	-	-	-	2	95002-41200-08	SBT
E-14	7	16100-Z0L-875	CARBURETOR ASSY. (BB75E B) . . . . .	-	-	-	-	-	-	1	16100-Z0L-013	SBT
		16100-Z0L-875	. . . . .	-	-	-	-	-	-	1	16100-Z0L-874	S3T
	9	16166-Z2C-003	NOZZLE, MAIN . . . . .	-	-	-	-	-	-	1	16166-ZM0-003	SBT
	10		INSULATOR, CARBURETOR . . . . .	-	-	-	-	-	-	0	16211-ZL8-000	SBT
	13		PACKING, CARBURETOR . . . . .	-	-	-	-	-	-	0	16228-ZL8-000	SBT
		16228-Z0L-840	PACKING, CARBURETOR (CHOKE SIDE)	-	-	-	-	-	-	1		SBT
	16	99101-124-0650	JET, MAIN, #65 . . . . .	-	-	-	-	-	-	(1)	99101-124-0600	SBT
		99101-124-0680	JET, MAIN, #68 . . . . .	-	-	-	-	-	-	1	99101-124-0650	SBT
	21		CONTROL ASSY., CHOKE . . . . .	-	-	-	-	-	-	0	16600-Z0L-840	S3T
	23		SCREW SET . . . . .	-	-	-	-	-	-	0	16016-ZG0-W00	SBT
	25	16148-Z1L-851	CAP, CHOKE DUST . . . . .	-	-	-	-	-	-	1		SBT
	28	16600-Z1L-840	CONTROL ASSY., CHOKE . . . . .	-	-	-	-	-	-	1		
	29	16620-Z1L-841	THERMOWAX ASSY. . . . .	-	-	-	-	-	-	1		
E-15	3	17220-ZM0-020	CASE ASSY., AIR CLEANER . . . . .	-	-	-	-	-	-	1	17220-ZM0-010	
	6	17231-Z0L-050	COVER, AIR CLEANER . . . . .	-	-	-	-	-	-	1	17231-Z0L-030	
E-16	1	18310-Z0Y-000	MUFFLER COMP. . . . .	-	-	-	-	-	-	1	18310-ZM0-000	SBT
	2	18321-Z0L-J01	PROTECTOR, MUFFLER . . . . .	-	-	-	-	-	-	1	18321-Z0L-J00	
E-19	1		KEY, SPECIAL WOODRUFF, 25X18 . . . . .	-	-	-	-	-	-	0	13331-357-000	S3T
	3		COIL ASSY., IGNITION (TEC) (USE FOR F/W OF TEC)	-	-	-	-	-	-	0	30500-ZL8-014	S3T

## PARTS CATALOGUE NEWS

BOOKNo. : 13ZM00E8

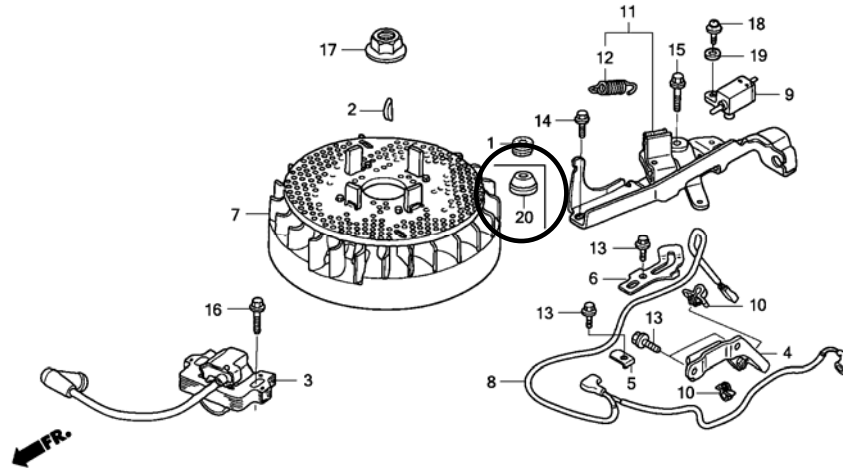
Block No.	Ref. No.	Part No.	Description	Reqd. QTY							Base Part No.	Parts catalogue code
				GCV 160	GCV 160 A	GCV 160 AO	GCV 160 E	GCV 160 LE	GCV 160 LA	GCV 160 LAO		
	4		FLYWHEEL ASSY. (TEC) (USE FOR IGN. COIL OF TEC)	-	-	-	-	-	-	0	31105-ZM0-000	S3T
	5		CORD, STOP SWITCH .....	-	-	-	-	-	-	0	32195-ZOL-000	S3T
	6		SWITCH ASSY., ENGINE STOP (N. C)	-	-	-	-	-	-	0	35120-ZM0-003	S3T
	7		BRAKE ASSY. ....	-	-	-	-	-	-	0	75100-ZOL-900	S3T
	8		SPRING, BRAKE LEVER .....	-	-	-	-	-	-	0	75113-ZM0-000	S3T
	10		BOLT, FLANGE, 6X14 (CT200) ....	-	-	-	-	-	-	0	90014-952-000	S3T
	11		BOLT, FLANGE, 6X23 (CT200) ....	-	-	-	-	-	-	0	90018-ZE1-000	S3T
	12		BOLT, FLANGE, 6X23 (CT200) ....	-	-	-	-	-	-	0	90018-ZE1-000	S3T
	13		NUT, SPECIAL, 14MM .....	-	-	-	-	-	-	0	90201-ZOT-800	S3T
	14		HOLDER, WIRE (FASTEX) .....	-	-	-	-	-	-	0	51125-ZOL-003	S3T
			CLIP A, CABLE (NIFCO) (3.8MM BLACK)	-	-	-	-	-	-	0	90681-959-003	S3T
	15		SCREW-WASHER, 4X12 .....	-	-	-	-	-	-	0	93892-04012-00	S3T
	16		WASHER, PLAIN, 4MM .....	-	-	-	-	-	-	0	94103-04000	S3T
	21		BRAKE SUB ASSY. ....	-	-	-	-	-	-	0	75110-ZOL-900	S3T

PARTS CATALOGUE NEWS

BOOKNo. : 13ZM00E8

Block No.	Ref. No.	Part No.	Description	Reqd. QTY							Base Part No.	Parts catalogue code
				GCV 160	GCV 160 A	GCV 160 AO	GCV 160 E	GCV 160 LE	GCV 160 LA	GCV 160 LAO		

E-19-2 FLYWHEEL (3)



ZM00E1902A

E-19-2	2	13331-357-000	KEY, SPECIAL WOODRUFF, 25X18 .	-	-	-	-	-	-	1	S3T
	3	30500-ZL8-014	COIL ASSY., IGNITION (TEC) (USE FOR F/W OF TEC)	-	-	-	-	-	-	1	S3T
	4	30547-Z0L-S00	CLAMPER, STOP SWITCH CORD ....	-	-	-	-	-	-	1	S3T
	5	30548-ZL8-000	CLAMPER, STOP SWITCH CORD ....	-	-	-	-	-	-	1	S3T
	6	30549-ZL8-000	CLAMPER, CORD .....	-	-	-	-	-	-	1	S3T
	7	31105-ZM0-000	FLYWHEEL ASSY. (TEC) (USE FOR IGN. COIL OF TEC)	-	-	-	-	-	-	1	S3T
	8	32195-Z0L-S00	CORD, STOP SWITCH .....	-	-	-	-	-	-	1	S3T
	9	35120-ZM0-003	SWITCH ASSY., ENGINE STOP (N. C)	-	-	-	-	-	-	1	S3T
	10	51125-Z0L-003	HOLDER, WIRE (FASTEX) .....	-	-	-	-	-	-	2	S3T
		90681-959-003	CLIP A, CABLE (NIFCO) (3.8MM BLACK)	-	-	-	-	-	-	1	S3T

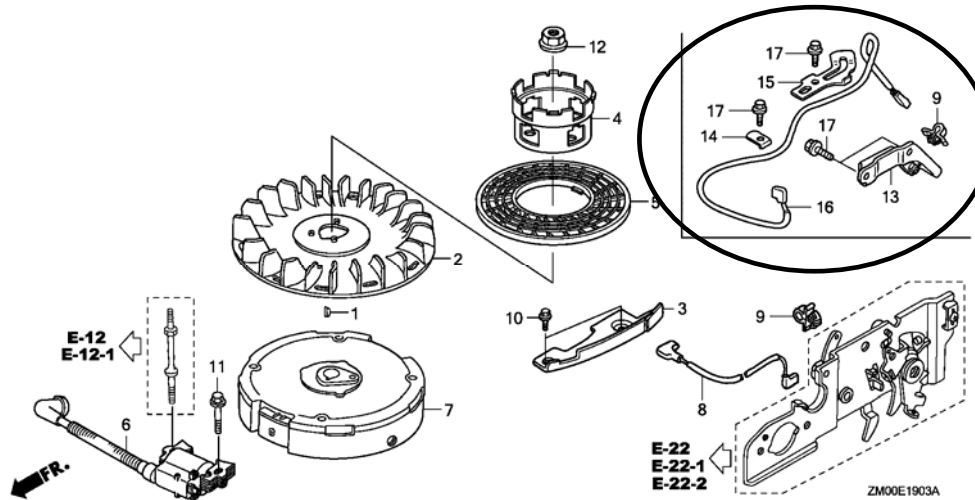
PARTS CATALOGUE NEWS

BOOKNo. : 13ZMO0E8

Block No.	Ref. No.	Part No.	Description	Reqd. QTY							Base Part No.	Parts catalogue code
				GCV 160	GCV 160 A	GCV 160 AO	GCV 160 E	GCV 160 LE	GCV 160 LA	GCV 160 LAO		
	11	75110-Z0Y-000	BRAKE SUB ASSY. ....	-	-	-	-	-	-	1		S3T
	12	75113-ZM0-000	SPRING, BRAKE LEVER ....	-	-	-	-	-	-	1		S3T
	13	90013-883-000	BOLT, FLANGE, 6X12(CT200) ....	-	-	-	-	-	-	4		S3T
	14	90014-952-000	BOLT, FLANGE, 6X14(CT200) ....	-	-	-	-	-	-	1		S3T
	15	90018-ZE1-000	BOLT, FLANGE, 6X23(CT200) ....	-	-	-	-	-	-	1		S3T
	16	90018-ZE1-000	BOLT, FLANGE, 6X23(CT200) ....	-	-	-	-	-	-	1		S3T
	17	90201-Z0T-800	NUT, SPECIAL, 14MM ....	-	-	-	-	-	-	1		S3T
	18	93892-04012-00	SCREW-WASHER, 4X12 ....	-	-	-	-	-	-	1		S3T
	19	94103-04000	WASHER, PLAIN, 4MM ....	-	-	-	-	-	-	1		S3T
	20	91601-Z0L-300	GROMMET, BRAKE PLATE ....	-	-	-	-	-	-	1		S3T

E-19-3 FLYWHEEL (4)

Ref. No.	(Relative ref. Number)	Description	FRT
8	(16)	CORD, STOP SWITCH .....	0.1



E-19-3	8	CORD, STOP SWITCH .....	-	-	-	-	-	-	0	32195-Z0L-900	SBT
--------	---	-------------------------	---	---	---	---	---	---	---	---------------	-----

## PARTS CATALOGUE NEWS

BOOKNo. : 13ZM00E8

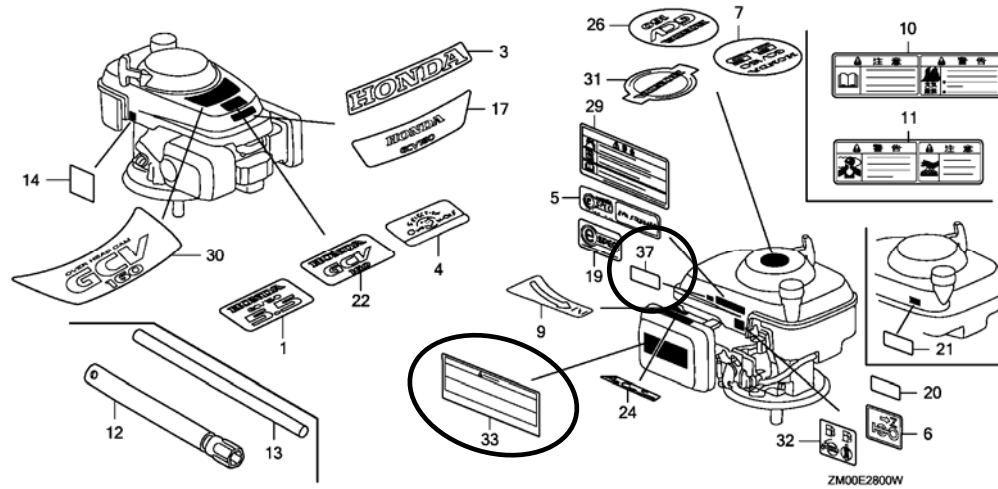
Block No.	Ref. No.	Part No.	Description	Reqd. QTY							Base Part No.	Parts catalogue code
				GCV 160	GCV 160 A	GCV 160 AO	GCV 160 E	GCV 160 LE	GCV 160 LA	GCV 160 LAO		
	9		CLIP A, CABLE (NIFCO) (3.8MM BLACK)	-	-	-	-	-	-	0	90681-959-003	SBT
	13	30547-Z0L-S00	CLAMPER, STOP SWITCH CORD ....	-	-	-	-	-	-	1		SBT
	14	30548-ZL8-000	CLAMPER, STOP SWITCH CORD ....	-	-	-	-	-	-	1		SBT
	15	30549-ZL8-000	CLAMPER, CORD .....	-	-	-	-	-	-	1		SBT
	16	32195-Z8B-800	CORD, STOP SWITCH .....	-	-	-	-	-	-	1		SBT
	17	90013-883-000	BOLT, FLANGE, 6X12 (CT200) ....	-	-	-	-	-	-	4		SBT
E-22	5		SPRING, LEVER .....	-	-	-	-	-	-	0	16576-ZE7-300	SBT
	7		BASE COMP., CONTROL .....	-	-	-	-	-	-	0	16580-Z0L-J20	SBT
	8		SPRING, CONTROL LEVER RETURN .	-	-	-	-	-	-	0	16593-Z0L-000	SBT
	9		ROD, CHOKE .....	-	-	-	-	-	-	0	16674-ZM0-000	SBT
	11		BOLT, FLANGE, 6X45 (CT200) ....	-	-	-	-	-	-	0	90016-ZM0-000	SBT
	14		SWITCH ASSY., ENGINE STOP (N. 0)	-	-	-	-	-	-	0	35120-ZL8-003	SBT
	15		SCREW-WASHER, 4X12 .....	-	-	-	-	-	-	0	93892-04012-00	
	16		WASHER, PLAIN, 4MM .....	-	-	-	-	-	-	0	94103-04000	
	27		HOLDER, CABLE .....	-	-	-	-	-	-	0	16617-Z0L-800	SBT
	28		SCREW, PAN, 5X8 .....	-	-	-	-	-	-	0	93500-05008-0A	SBT

PARTS CATALOGUE NEWS

BOOKNo. : 13ZM00E8

Block No.	Ref. No.	Part No.	Description	Reqd. QTY							Base Part No.	Parts catalogue code
				GCV 160	GCV 160 A	GCV 160 AO	GCV 160 E	GCV 160 LE	GCV 160 LA	GCV 160 LAO		

E-28 LABEL/TOOL



E-28	20		LABEL, WARNING (NOT CERTIFIED FOR SALE)	-	-	-	-	-	-	0	87114-ZH7-821	
	24	87529-Z0Y-840	MARK, AUTO CHOKE .....	-	-	-	-	-	-	1		SBT
	33	87516-Z0J-000	MARK, OPERATOR CAUTION .....	-	-	-	-	-	-	1		
	37	87114-ZH7-821	LABEL, WARNING (NOT CERTIFIED FOR SALE)	-	-	-	-	-	-	1		
E-40	1		HOLDER ASSY., BLADE .....	-	-	-	-	-	-	0	72600-VE1-G00	SBT
	2		PLATE, BALL CONTROL .....	-	-	-	-	-	-	0	75111-VE1-G01	SBT
	3		BALL, STEEL .....	-	-	-	-	-	-	0	75117-VE1-G00	SBT
	4		PLATE, SPRING HOOK .....	-	-	-	-	-	-	0	75127-VE1-G00	SBT
	5		PLATE COMP., BRAKE .....	-	-	-	-	-	-	0	75130-Z0L-000	SBT
	6		SPRING, BALL PLATE .....	-	-	-	-	-	-	0	75132-VE1-G00	SBT
	7		DISK, DRIVE .....	-	-	-	-	-	-	0	75141-VE1-G00	SBT

PARTS CATALOGUE NEWS

BOOKNo. : 13ZM00E8

Block No.	Ref. No.	Part No.	Description	Reqd. QTY							Base Part No.	Parts catalogue code
				GCV 160	GCV 160 A	GCV 160 AO	GCV 160 E	GCV 160 LE	GCV 160 LA	GCV 160 LAO		
	8		DISK COMP., DRIVEN .....	-	-	-	-	-	-	0	75150-VE1-G02	SBT
	9		PULLEY, DRIVE .....	-	-	-	-	-	-	0	75162-Z0L-000	SBT
	10		SPRING, CLUTCH .....	-	-	-	-	-	-	0	75183-VE1-G01	SBT
	11		BOLT, FLANGE, 10X24 .....	-	-	-	-	-	-	0	90101-VE1-G00	SBT
	12		BEARING, RADIAL BALL, 6006 (TSB)	-	-	-	-	-	-	0	91051-VE1-R00	SBT
	13		BEARING, RADIAL BALL, 6204 ...	-	-	-	-	-	-	0	91052-VE1-G00	SBT
	14		KEY, WOODRUFF, 16X15 .....	-	-	-	-	-	-	0	94401-16150	SBT
	15		PLATE ASSY., BALL CONTROL ....	-	-	-	-	-	-	0	75110-Z0L-000	SBT





# PARTS CATALOGUE NEWS

Honda Motor Co., Ltd. Service Division

## PARTS CATALOGUE - CORRECTED

Printed in Japan

CODE NO.	13ZM00E8
PARTS CATALOGUE NEWS	GCV160 GCV160A GCV160A0 GCV160E GCV160LE GCV160LA GCV160LA0
NEWS NO.	014

Block No.	Ref. No.	Note	Part No.	Description	Reqd. QTY								Serial No.	Parts catalogue code	
					GCV 160	GCV 160 A	GCV 160 A0	GCV 160 E	GCV 160 LE	GCV 160 LA	GCV 160 LA0				
E-15	3	L	17220-ZM0-010	CASE ASSY., AIR CLEANER .....	-	1	-	1	1	-	-	-	-	-----	A1AW, A7H1, S1G4
					-	1	-	-	-	-	-	-	6624356	-----	A1E7, A1M, A2E7, BHH1, C1E, C1E1, C2E, C2E1 C3E, C3E1, C4E, C4E1, N1L, N1R, N1U, N2U, N3U N3V, S2G7, S3H2
					-	-	1	-	-	-	-	-	-----	1079019	
					-	-	-	1	1	-	-	-	2441542	-----	A1E7, A1E8, A1G7, A1G9, A1P, A1W7, A2E7, A2E8 A2E9, A2G4, A2G7, A2G9, A3E7, A3E9, A3G9, A3T9 A3W7, A3W8, A4A9, A4G4, A4G7, A4G9, A7E1, N1D N1E1, N1E2, N1E7, N1J1, N1R, N1T8, N1T9, N1W7 N1W8, N1W9, N2E7, N2E8, N2E9, N3T8, N3T9, N3W8 N3W9, S1E1, S2E, S2E1, S2E2, S2E3, S3E9, S3G9 S4E4, S4E9, S4G4, S4G9
					-	-	-	-	1	-	-	-	2441542	-----	A2A9, N7A1
					-	-	-	-	-	-	1	-	6624356	-----	A1A, A1AF, A2R, BHH, N1A, N1AF, N5AF, N5MF, N5R N7A1, N7S1, S1A, S1M, S3A, S3H
					-	-	-	-	-	-	-	1	-----	1167575	A1A, A1AF, A2R, BHH, E1A2, N1A, N1AF, N5AF N5MF, N5R, N7A1, N7S1, R3A, S1A, S1M, S3A, S3H
					-	-	-	-	-	-	-	-	1079020		
					-	-	-	-	-	-	-	1	-----	-----	SBT, S3T
					-	-	-	-	-	-	-	1	1167576	-----	A1A, A1AF, A2R, BHH, E1A2, N1A, N1AF, N5AF N5MF, N5R, N7A1, N7S1, R3A, S1A, S1M, S3A, S3H
		T	17220-ZM0-020	.....	-	-	1	-	-	-	-	-	1079020		

NOTE A:PART NO. CHANGE D:NEWLY PROVIDED E:PART NO.DELETION K:REQUIRED NO. CORRECTION L:APPLICATION SERIAL NO. CORRECTION  
T:APPLICATION CORRECTION Z:REMARKS CHANGE

PARTS CATALOGUE NEWS

BOOKNo. : 13ZM00E8

Block No.	Ref. No.	Note	Part No.	Description	Reqd. QTY							Serial No.	Parts catalogue code
					GCV 160	GCV 160 A	GCV 160 AO	GCV 160 E	GCV 160 LE	GCV 160 LA	GCV 160 LAO		
	6	L	17231-ZOL-030	COVER, AIR CLEANER .....	-	1	1	1	1	1	-		
					-	-	-	-	-	-	1	----- 1167575	A1A, A1AF, A2R, BHH, E1A2, N1A, N1AF, N5AF N5MF, N5R, N7A1, N7S1, R3A, S1A, S1M, S3A, S3H
		T	17231-ZOL-050	.....	-	-	-	-	-	-	1	-----	SBT, S3T
					-	-	-	-	-	-	1	1167576 -----	A1A, A1AF, A2R, BHH, E1A2, N1A, N1AF, N5AF N5MF, N5R, N7A1, N7S1, R3A, S1A, S1M, S3A, S3H

NOTE A:PART NO. CHANGE D:NEWLY PROVIDED E:PART NO.DELETION K:REQUIRED NO. CORRECTION L:APPLICATION SERIAL NO. CORRECTION  
T:APPLICATION CORRECTION Z:REMARKS CHANGE



# PARTS CATALOGUE NEWS

Honda Motor Co., Ltd. Service Division

## PARTS CATALOGUE - CORRECTED

Printed in Japan

CODE NO.	13ZM00E8
PARTS CATALOGUE NEWS	GCV160 GCV160A GCV160A0 GCV160E GCV160LE GCV160LA GCV160LA0
NEWS NO.	015

Block No.	Ref. No.	Note	Part No.	Description	Reqd. QTY								Serial No.	Parts catalogue code	
					GCV 160	GCV 160 A	GCV 160 A0	GCV 160 E	GCV 160 LE	GCV 160 LA	GCV 160 LA0				
E-15	3		17220-ZM0-020	CASE ASSY., AIR CLEANER .....	-	-	1	-	-	-	-	-	1079020		
					-	-	-	-	-	-	1	-----	1239013	SBT, S3T	
					-	-	-	-	-	-	1	1167576	1239013	A1A, A1AF, A2R, BHH, E1A2, N1A, N1AF, N5AF, N5MF, N5R, N7A1, N7S1, R3A, S1A, S1M, S3A, S3H	
		A		17220-ZM0-030	.....	-	-	-	-	-	-	1	1239014		
	6	L		17231-Z0L-030	COVER, AIR CLEANER .....	-	1	-	1	1	1	-			
						-	-	1	-	-	-	-	-----	1117443	
							-	-	-	-	-	-	1	-----	1167575
		T		17231-Z0L-050	.....	-	-	1	-	-	-	-	1117444		
					-	-	-	-	-	-	1	-----	-----	SBT, S3T	
					-	-	-	-	-	-	1	1167576	-----	A1A, A1AF, A2R, BHH, E1A2, N1A, N1AF, N5AF, N5MF, N5R, N7A1, N7S1, R3A, S1A, S1M, S3A, S3H	
E-16	2	L	18321-Z0L-J00	PROTECTOR, MUFFLER .....	-	1	1	-	-	1	-	-----	-----	BHH1, EHHB, NBL1, RTL1, R3A, STA1, STL1, S1M, S3H, S3H2	
					-	1	-	-	-	-	-	2307312	-----	A1AE, BHH, S3A	
					-	-	-	-	-	1	-	-----	-----	BHH, S3A	

NOTE A:PART NO. CHANGE D:NEWLY PROVIDED E:PART NO.DELETION K:REQUIRED NO. CORRECTION L:APPLICATION SERIAL NO. CORRECTION  
T:APPLICATION CORRECTION Z:REMARKS CHANGE

PARTS CATALOGUE NEWS

BOOKNo. : 13ZM00E8

Block No.	Ref. No.	Note	Part No.	Description	Reqd. QTY								Serial No.	Parts catalogue code
					GCV 160	GCV 160 A	GCV 160 AO	GCV 160 E	GCV 160 LE	GCV 160 LA	GCV 160 LAO			
					-	-	-	-	-	-	-	1	----- 1243452	BHH, R3A, S1M, S3A, S3H
		T	18321-Z0L-J01	.....	-	-	-	-	-	-	-	1	-----	SBT, S3T
					-	-	-	-	-	-	-	1	1243453 -----	BHH, R3A, S1M, S3A, S3H

NOTE A:PART NO. CHANGE D:NEWLY PROVIDED E:PART NO.DELETION K:REQUIRED NO. CORRECTION L:APPLICATION SERIAL NO. CORRECTION  
 T:APPLICATION CORRECTION Z:REMARKS CHANGE



# PARTS CATALOGUE NEWS

Honda Motor Co., Ltd. Service Division

## PARTS CATALOGUE - CORRECTED

Printed in Japan

CODE NO.	13ZM00E8
PARTS CATALOGUE NEWS	GCV160 GCV160A GCV160A0 GCV160E GCV160LE GCV160LA GCV160LA0
NEWS NO.	016

Block No.	Ref. No.	Note	Part No.	Description	Reqd. QTY								Serial No.	Parts catalogue code
					GCV 160	GCV 160 A	GCV 160 A0	GCV 160 E	GCV 160 LE	GCV 160 LA	GCV 160 LA0			
E-16	2		18321-ZOL-000	PROTECTOR, MUFFLER .....	-	1	1	-	-	1	1	-----	-----	A1A, A1AS, A1AW, A1C, A1E, A1E7, A1E8, A1M A1W7, A2A, A2C, A2E7, A2E8, A2E9, A2G7, A3A A3E, C1E, C1E1, C2E, C2E1, C3E, C3E1, C4E, C4E1 E1A4, E1G7, E2G7, E5A4, N1C, N1E1, N1E7, N1L N1R, N1U, N1W7, N1W8, N1W9, N2E7, N2E8, N2E9 N2U, N3U, N3V, N5A, N5C, N5RE, R1A, R3A1, S1A1 S2G7, S3A2
					-	1	-	-	-	1	-	-----	-----	A1AF, A2R, E1A2, N1A, N1AF, N5AF, N5MF, N5R, S1A
					-	-	-	-	-	-	1	-----	1237556	A1AF, A2R, E1A2, N1A, N1AF, N5AF, N5MF, N5R, S1A
		A	18321-ZOL-010	.....	-	-	-	-	-	-	1	1237557	-----	A1AF, A2R, E1A2, N1A, N1AF, N5AF, N5MF, N5R, S1A

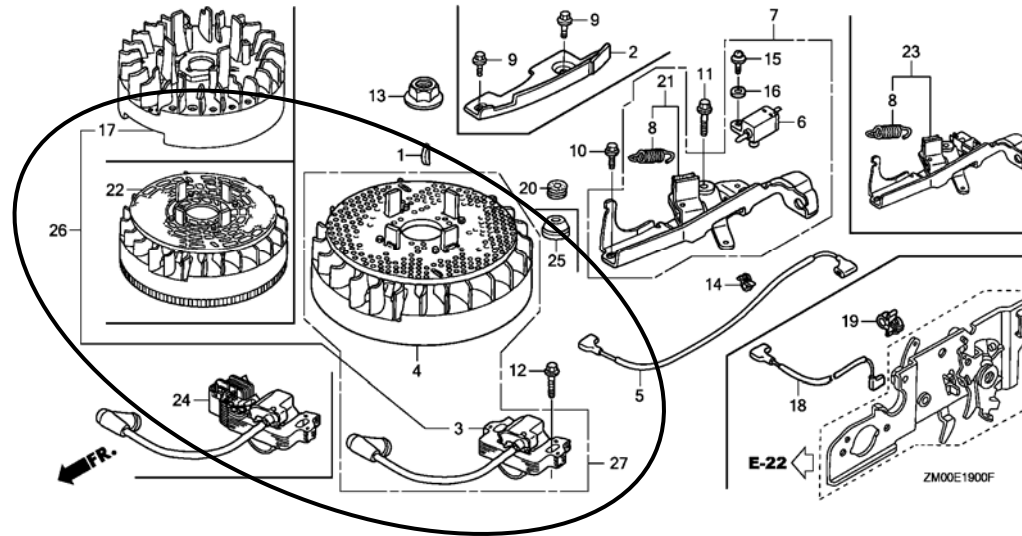
NOTE A:PART NO. CHANGE D:NEWLY PROVIDED E:PART NO.DELETION K:REQUIRED NO. CORRECTION L:APPLICATION SERIAL NO. CORRECTION  
T:APPLICATION CORRECTION Z:REMARKS CHANGE

BOOKNo. : 13ZM00E8

Block No.	Ref. No.	Note	Part No.	Description	Reqd. QTY							Serial No.	Parts catalogue code
					GCV 160 A	GCV 160 AO	GCV 160 E	GCV 160 LE	GCV 160 LA	GCV 160 LAO			

**E-19 FLYWHEEL (1)**

Ref. No.	(Relative ref. Number) Description	FRT
4	(17, 22, 26, 27) 2161B5 FLYWHEEL .....	0.3



E-19	3	T	30500-ZL8-014	COIL ASSY., IGNITION (TEC) (USE FOR F/W OF TEC)	-	1	1	1	-	-	-	-----	A1AW, A3G9, A4G4, A4G7, A4G9, S1G4, S2E2, S3E9 S3G9, S4E4, S4E9, S4G4, S4G9
					-	-	1	-	1	-	1	-----	A1A, A1AF, A1E7, A1M, A2E7, A4A9, A7H1, N1R N1U, N2U, N3U, N3V, N7S1, S1A, S1M, S2G7, S3A S3H, S3H2
					-	-	-	1	1	-	-	2250210	A1E7, A1E8, A1G7, A1G9, A1P, A1W7, A2E7, A2E8 A2E9, A2G4, A2G7, A2G9, A2R, A3E7, A3E9, A3T9 A3W7, A3W8, A7E1, N1D, N1E1, N1E2, N1E7, N1J1 N1R, N1T8, N1T9, N1W7, N1W8, N1W9, N2E7, N2E8 N2E9, N3T8, N3T9, N3W8, N3W9, N7A1, S1E1, S2E S2E1, S2E3
					-	-	-	-	1	-	-	2250210	A2A9
					-	-	-	-	-	(1)	-	6702082	A2R, BHH, N1A, N1AF, N5AF, N5MF, N5R
					-	-	-	-	-	-	1	-----	N7A1

NOTE A:PART NO. CHANGE D:NEWLY PROVIDED E:PART NO.DELETION K:REQUIRED NO. CORRECTION L:APPLICATION SERIAL NO. CORRECTION  
T:APPLICATION CORRECTION Z:REMARKS CHANGE

PARTS CATALOGUE NEWS

BOOKNo. : 13ZM00E8

Block No.	Ref. No.	Note	Part No.	Description	Reqd. QTY								Serial No.	Parts catalogue code
					GCV 160	GCV 160 A	GCV 160 A0	GCV 160 E	GCV 160 LE	GCV 160 LA	GCV 160 LA0			
	4	T	31105-ZL8-000	FLYWHEEL ASSY. (TEC) (USE FOR IGN. COIL OF TEC)	1	-	-	1	-	-	-	-----	-----	N1T8, N1T9, N1W, N1W1, N1W2, N1W7, N1W8, N1W9 N3T8, N3T9, N3W8, N3W9, S1G4
					-	-	-	-	-	(1)	-	-----	6702082	BHH
	17	T	31110-ZL8-004	FLYWHEEL COMP. (TEC) (USE FOR IGN. COIL OF TEC)	1	-	-	1	-	-	-	-----	-----	A2R, N1E1, N1E2, N1E7, N2E, N2E1, N2E2, N2E3 N2E7, N2E8, N2E9
					-	-	-	-	-	(1)	-	-----	6702082	A2R, N1A, N1AF, N5AF, N5MF, N5R
	26	D	06311-Z0J-900	FLYWHEEL KIT .....	-	-	-	-	-	(1)	-	-----	6702082	A2R, N1A, N1AF, N5AF, N5MF, N5R
	27	D	06311-Z0L-900	FLYWHEEL KIT .....	-	-	-	-	-	(1)	-	-----	6702082	BHH

NOTE A:PART NO. CHANGE D:NEWLY PROVIDED E:PART NO.DELETION K:REQUIRED NO. CORRECTION L:APPLICATION SERIAL NO. CORRECTION  
T:APPLICATION CORRECTION Z:REMARKS CHANGE



# PARTS CATALOGUE NEWS

Honda Motor Co., Ltd. Service Division

## PARTS CATALOGUE - CORRECTED

Printed in Japan

CODE NO.	13ZM00E8
PARTS CATALOGUE NEWS	GCV160 GCV160A GCV160AO GCV160E GCV160LE GCV160LA GCV160LAO
NEWS NO.	017

Block No.	Ref. No.	Note	Part No.	Description	Reqd. QTY								Serial No.	Parts catalogue code		
					GCV 160	GCV 160 A	GCV 160 AO	GCV 160 E	GCV 160 LE	GCV 160 LA	GCV 160 LAO					
E-16	2		18321-ZOL-J00	PROTECTOR, MUFFLER .....	-	1	-	-	-	1	-	-	-----	-----	BHH1, EHHB, NBL1, RTL1, R3A, STA1, STL1, S1M S3H, S3H2	
					-	1	-	-	-	-	-	2307312	-----	A1AE, BHH, S3A		
					-	-	1	-	-	-	-	-----	1152561	-----	BHH1, S3H2	
					-	-	-	-	-	1	-	-----	-----	-----	BHH, S3A	
					-	-	-	-	-	-	1	-----	1243452	-----	BHH, R3A, S1M, S3A, S3H	
					-	1	-	-	-	1	1	-----	-----	-----	A1A, A1AS, A1AW, A1C, A1E, A1E7, A1E8, A1M A1W7, A2A, A2C, A2E7, A2E8, A2E9, A2G7, A3A A3E, C1E, C1E1, C2E, C2E1, C3E, C3E1, C4E, C4E1 E1A4, E1G7, E2G7, E5A4, N1C, N1E1, N1E7, N1L N1R, N1U, N1W7, N1W8, N1W9, N2E7, N2E8, N2E9 N2U, N3U, N3V, N5A, N5C, R1A, R3A1, S1A1, S2G7 S3A2	
					-	1	-	-	-	1	-	-----	-----	-----	A1AF, A2R, E1A2, N1A, N1AF, N5AF, N5MF, N5R, S1A	
					-	-	1	-	-	-	-	-----	1152561	-----	A1AW, A1E7, A1M, A2E7, C1E, C1E1, C2E, C2E1 C3E, C3E1, C4E, C4E1, E2G7, N1L, N1R, N1U, N2U N3U, N3V, N5RE, S2G7	
					-	-	-	-	-	-	1	-----	1237556	-----	A1AF, A2R, E1A2, N1A, N1AF, N5AF, N5MF, N5R, S1A	
					-	-	-	-	-	-	1	-----	1152562	-----	A1AW, N1R, N1U, N2U, N3U, N3V	
-	-	-	-	-	-	1	-----	1237557	-----	A1AF, A2R, E1A2, N1A, N1AF, N5AF, N5MF, N5R, S1A						
		T	18321-ZOL-010	.....	-	-	1	-	-	-	-	-----	-----	1152562	-----	A1AW, N1R, N1U, N2U, N3U, N3V
					-	-	-	-	-	-	1	-----	-----	1237557	-----	A1AF, A2R, E1A2, N1A, N1AF, N5AF, N5MF, N5R, S1A

NOTE A:PART NO. CHANGE D:NEWLY PROVIDED E:PART NO.DELETION K:REQUIRED NO. CORRECTION L:APPLICATION SERIAL NO. CORRECTION  
T:APPLICATION CORRECTION Z:REMARKS CHANGE



PARTS CATALOGUE NEWS

BOOKNo. : 13ZM00E8

Block No.	Ref. No.	Note	Part No.	Description	Reqd. QTY							Serial No.	Parts catalogue code	
					GCV 160	GCV 160 A	GCV 160 AO	GCV 160 E	GCV 160 LE	GCV 160 LA	GCV 160 LAO			
		A	18321-ZOL-800	.....	-	-	1	-	-	-	-	1152562	-----	A1E7, A1M, A2E7, C1E, C1E1, C2E, C2E1, C3E, C3E1, C4E, C4E1, E2G7, N1L, N5RE, S2G7
		A	18321-ZOL-810	.....	-	-	1	-	-	-	-	1152562	-----	BHH1, S3H2
E-19	2	L	19612-ZMO-J20	PLATE, SIDE .....	1	-	-	1	-	-	-	-----	-----	N1E1, N1E2, N1E7, N1R, N1W, N1W1, N1W2, N1W8, N1W9, N2E, N2E1, N2E2, N2E3, N2E9, N7A1
					1	-	-	-	-	-	-	-----	-----	N1J1, N1W7, N2E7, N2E8
					1	-	-	-	-	-	-	2340424	-----	A2R, N1D, N1U, N2U, N3U, N3V
					-	1	-	1	-	-	-	-----	-----	BHH1, N1D, N1T8, N3T9
					-	1	-	-	-	-	-	5008780	-----	BHH, N1AF, N1E1, N1E7, N1L, N1R, N1W7, N1W8, N1W9, N2E7, N2E8, N2E9, N3U, N5AF, N7A1, N7S1
					-	1	-	-	-	-	-	1360692	5008780	A2R, N1A, N1C, N1U, N2U, N3V, N5A, N5C
					-	-	-	1	-	-	-	-----	-----	A2R
					-	-	-	1	-	-	-	3000888	-----	N1J1, N1T9, N1W7, N2E7, N2E8, N3T8, N3W8, N3W9
					-	-	-	-	1	-	-	3000888	-----	N7A1
			19612-ZOL-000	.....	-	1	-	-	-	-	-	-----	-----	EHHB, N5MF, N5R
					-	1	-	-	-	-	-	5008781	-----	A2R, BHH, N1A, N1AF, N1C, N1E1, N1E7, N1L, N1R, N1U, N1W7, N1W8, N1W9, N2E7, N2E8, N2E9, N2U, N3U, N3V, N5A, N5AF, N5C, N7A1, N7S1
					-	-	1	-	-	1	1	-----	-----	N1R, N1U, N2U, N3U, N3V, N7A1, N7S1
					-	-	-	1	-	-	-	3000888	-----	S1G4
		A	19612-Z1L-000	.....	-	-	-	1	-	-	-	3000889	-----	N1J1, N1T9, N1W7, N2E7, N2E8, N3T8, N3W8, N3W9, S1G4
					-	-	-	-	1	-	-	3000889	-----	N7A1

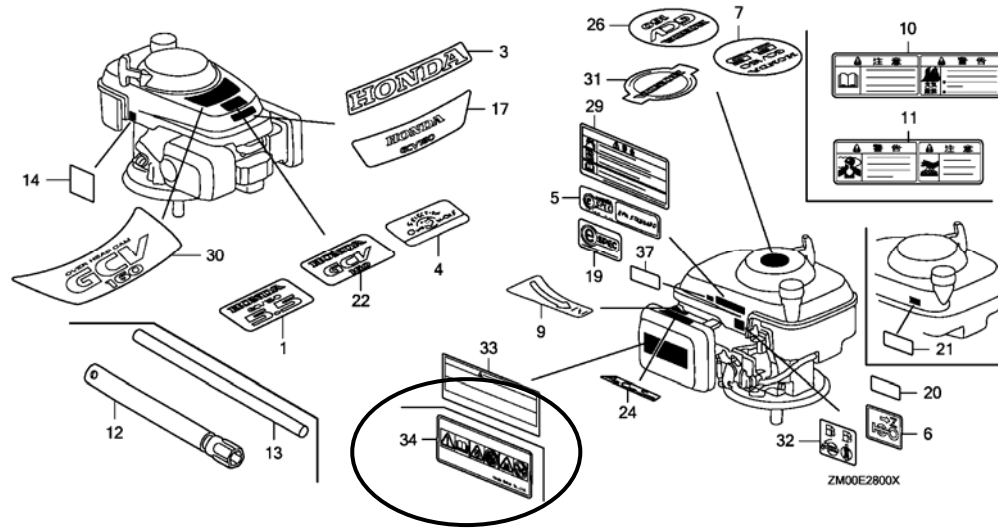
NOTE A:PART NO. CHANGE D:NEWLY PROVIDED E:PART NO.DELETION K:REQUIRED NO. CORRECTION L:APPLICATION SERIAL NO. CORRECTION  
T:APPLICATION CORRECTION Z:REMARKS CHANGE

PARTS CATALOGUE NEWS

BOOKNo. : 13ZM00E8

Block No.	Ref. No.	Note	Part No.	Description	Reqd. QTY							Serial No.	Parts catalogue code
					GCV 160 A	GCV 160 AO	GCV 160 E	GCV 160 LE	GCV 160 LA	GCV 160 LAO			

E-28 LABEL/TOOL



E-28	21	L	87114-ZH7-840	LABEL, WARNING (NOT CERTIFIED FOR SALE)	-	1	-	-	-	-	-	-	-	-	-	-	-	C1E, C1E1, C2E, C2E1
					-	-	-	1	-	-	-	1739042	2679341	A1P				
	34	D	87519-Z0J-000	MARK, OPERATOR CAUTION .....	-	-	1	-	-	-	-	1152562						

NOTE A:PART NO. CHANGE D:NEWLY PROVIDED E:PART NO.DELETION K:REQUIRED NO. CORRECTION L:APPLICATION SERIAL NO. CORRECTION  
T:APPLICATION CORRECTION Z:REMARKS CHANGE



# PARTS CATALOGUE NEWS

Honda Motor Co., Ltd. Service Division

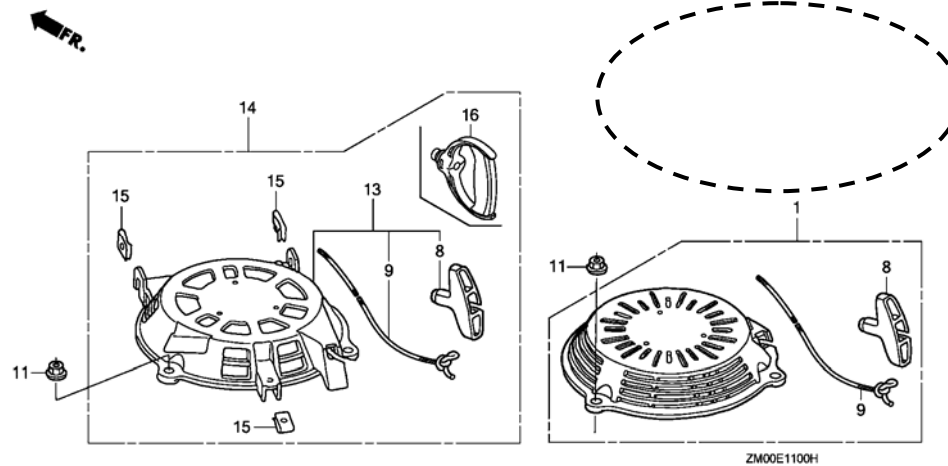
## PARTS CATALOGUE - CORRECTED

Printed in Japan

CODE NO.	13ZM00E8
PARTS CATALOGUE NEWS	GCV160 GCV160A GCV160A0 GCV160E GCV160LE GCV160LA GCV160LA0
NEWS NO.	018

Block No.	Ref. No.	Note	Part No.	Description	Reqd. QTY							Serial No.	Parts catalogue code
					GCV 160	GCV 160 A	GCV 160 A0	GCV 160 E	GCV 160 LE	GCV 160 LA	GCV 160 LA0		

E-11 RECOIL STARTER



E-11	1	T	28400-ZL8-023ZA	STARTER ASSY., RECOIL *NH1*.....BLACK	-	1	1	1	1	1	1	-----	-----	A2R, A7E1, A7H1, E1A4, E5A4, N1A, N1AF, N1C N1L, N5A, N5AF, N5C, N5MF, N5RE, N7A1, N7S1
											1	-----	-----	N5R

NOTE A:PART NO. CHANGE D:NEWLY PROVIDED E:PART NO.DELETION K:REQUIRED NO. CORRECTION L:APPLICATION SERIAL NO. CORRECTION  
T:APPLICATION CORRECTION Z:REMARKS CHANGE

PARTS CATALOGUE NEWS

BOOKNo. : 13ZM00E8

Block No.	Ref. No.	Note	Part No.	Description	Reqd. QTY								Serial No.	Parts catalogue code
					GCV 160	GCV 160 A	GCV 160 AO	GCV 160 E	GCV 160 LE	GCV 160 LA	GCV 160 LAO			
		T	28400-ZL8-023ZC	*R280*.....POWER RED	-	1	-	-	-	1	1	-----	-----	E1A4, E5A4, N5R, N5RB
					-	-	-	1	-	-	-	-----	-----	A2R
	17	E	28400-ZL8-023ZA	*PARTS NO. DELETION										
		E	28400-ZL8-023ZC	*PARTS NO. DELETION										

NOTE A:PART NO. CHANGE D:NEWLY PROVIDED E:PART NO.DELETION K:REQUIRED NO. CORRECTION L:APPLICATION SERIAL NO. CORRECTION  
T:APPLICATION CORRECTION Z:REMARKS CHANGE



# PARTS CATALOGUE NEWS

Honda Motor Co., Ltd. Service Division

Printed in Japan

CODE NO.	13ZM00E8
PARTS CATALOGUE NEWS	GCV160 GCV160A GCV160A0 GCV160E GCV160LE GCV160LA GCV160LA0
NEWS NO.	019

## GCV160LA0-N5RB TYPE sales parts information

NOTE: This Parts Catalogue News explains only the parts of the different model that are produced to conform to addition of the GCV160LA0-N5RB type.

As for the parts not listed on this Parts Catalogue News, use the parts of the GCV160LA0-N5R type.

**•Models, parts catalogue codes and applicable serial numbers**

Model	Type		Parts catalogue type	Applicable engine serial No.	Applicable carburetor identification No.
GCV160LA0	N5R	Base Type	N5R	GJARA-1000001~	BB65A B
	N5RB	Additional Type	N5RB		

BOOKNo. : 13ZM00E8

•Features of each type		Base type	Additional type
Model		GCV160LA0	
Specifications		N5R	N5RB
Crankshaft	20mm Ø Straight (133.8mm)		
	22.2mm Ø Straight (100.4mm)	●	●
	22.2mm Ø Straight (117.4mm) (Depth 24mm)		
	22.2mm Ø Straight (117.4mm) (Depth 52mm)		
	22.2mm Ø Straight (135.7mm)		
	25mm Ø Straight (117.4mm)		
	25mm Ø Straight (135.7mm) (3/8-24 UNF)		
	25mm Ø Straight (135.7mm) (7/16-20 UNF)		
	M14 Stepped thread (137.4mm)		
	Recoil starter	●	●
Recoil starter (Long rope)			
Flywheel brake			
Starter motor			

Block No.	Ref. No.	Part No.	Description	Reqd. QTY							Base Part No.	Parts catalogue code
				GCV 160	GCV 160 A	GCV 160 A0	GCV 160 E	GCV 160 LE	GCV 160 LA	GCV 160 LA0		
E-3	11		VALVE, IN. (ROCKNEL) .....	-	-	-	-	-	-	0	14711-Z0J-000	

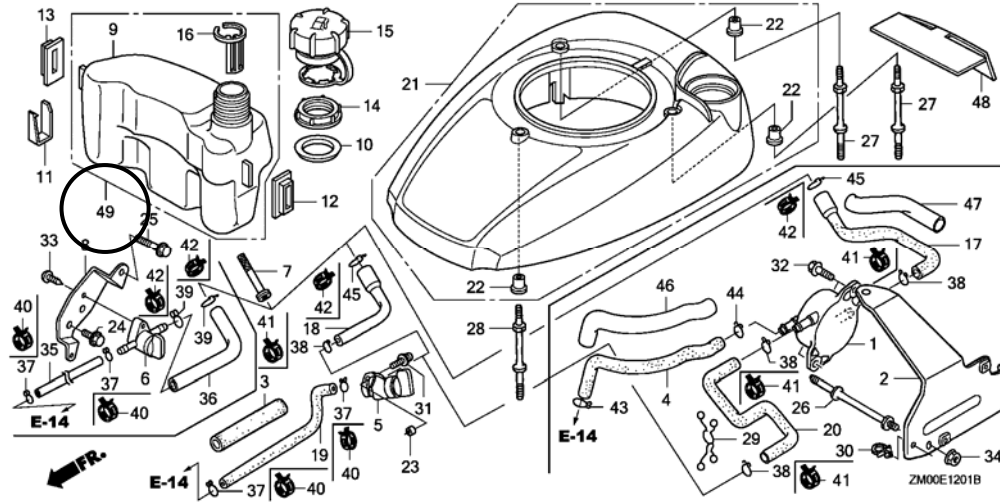
PARTS CATALOGUE NEWS

BOOKNo. :13ZM00E8

Block No.	Ref. No.	Part No.	Description	Reqd. QTY							Base Part No.	Parts catalogue code
				GCV 160	GCV 160 A	GCV 160 AO	GCV 160 E	GCV 160 LE	GCV 160 LA	GCV 160 LAO		

E-12-1 FAN COVER (2)

Ref. No.	(Relative ref. Number)	Description	FRT
9	(49)		
3101H7		TANK, FUEL .....	0.2



E-12-1	49	06175-ZOL-305	TANK KIT, FUEL .....	-	-	-	-	-	-	(1)
E-28	33	87516-Z0J-000	MARK, OPERATOR CAUTION (ENGLISH)	-	-	-	-	-	-	1
	37	87114-ZH7-821	LABEL, WARNING (NOT CERTIFIED FOR SALE)	-	-	-	-	-	-	1



# PARTS CATALOGUE NEWS

Honda Motor Co., Ltd. Service Division

## PARTS CATALOGUE - CORRECTED

Printed in Japan

CODE NO.	13ZM00E8
PARTS CATALOGUE NEWS	GCV160 GCV160A GCV160A0 GCV160E GCV160LE GCV160LA GCV160LA0
NEWS NO.	020

Block No.	Ref. No.	Note	Part No.	Description	Reqd. QTY								Serial No.	Parts catalogue code	
					GCV 160	GCV 160 A	GCV 160 A0	GCV 160 E	GCV 160 LE	GCV 160 LA	GCV 160 LA0				
E-22	7	T	16580-ZMO-J22	BASE COMP., CONTROL .....	1	1	-	-	-	-	-	-	-----	-----	EHHB, N1J1, N1W2
			16580-ZMO-020	.....	1	-	-	-	-	-	-	-	-----	-----	A2E4
				1	-	-	-	-	-	-	-	1177560	-----	A1A, A1C, A1E, A1J, A1P, A1U, A2A, A2C, A2E, A2U A3E, A4E, N1, N2	
				-	1	-	-	-	-	-	-	-----	-----	A1C, A1E, A2A, A2C, A3E	
			-	-	-	1	-	-	-	-	-----	2352103	A1P		
	T	16580-ZMO-802	.....	1	-	-	-	-	-	-	-----	-----	N1W, N1W1, N3U, N3V		
			.....	1	-	-	-	-	-	-	1177560	-----	N1D, N1E1, N1E2, N1U, N2D, N2E, N2E1, N2E2 N2E3, N2U		
			-	1	-	-	-	-	-	-	-----	-----	N1E1		
	A	16580-ZMO-J23	.....	-	1	-	1	-	1	1	-----	-----	BHH, NBL1, N1J1		
	T	16580-ZMO-030	.....	-	1	1	-	-	1	1	-----	-----	A1A, A1AS, A1AW, A1M		
.....			-	-	-	1	-	-	-	2352104	-----	A1P			
A	16580-ZMO-803	.....	-	1	1	1	-	-	-	-----	-----	N1D, N1E2, N1U, N2U, N3U, N3V			
		.....	-	-	-	1	-	-	-	-----	-----	N1E1			
E	16580-ZOL-J20			*PARTS NO. DELETION											
E	16580-ZOL-000			*PARTS NO. DELETION											

NOTE A:PART NO. CHANGE D:NEWLY PROVIDED E:PART NO.DELETION K:REQUIRED NO. CORRECTION L:APPLICATION SERIAL NO. CORRECTION  
T:APPLICATION CORRECTION Z:REMARKS CHANGE



PARTS CATALOGUE NEWS

BOOKNo. : 13ZM00E8

Block No.	Ref. No.	Note	Part No.	Description	Reqd. QTY								Serial No.	Parts catalogue code
					GCV 160	GCV 160 A	GCV 160 AO	GCV 160 E	GCV 160 LE	GCV 160 LA	GCV 160 LAO			
		E	16580-ZOY-800	*PARTS NO. DELETION										

NOTE A:PART NO. CHANGE D:NEWLY PROVIDED E:PART NO.DELETION K:REQUIRED NO. CORRECTION L:APPLICATION SERIAL NO. CORRECTION  
T:APPLICATION CORRECTION Z:REMARKS CHANGE



# PARTS CATALOGUE NEWS

Honda Motor Co., Ltd. Service Division

## PARTS CATALOGUE - CORRECTED

Printed in Japan

CODE NO.	13ZM00E8
PARTS CATALOGUE NEWS	GCV160 GCV160A GCV160A0 GCV160E GCV160LE GCV160LA GCV160LA0
NEWS NO.	021

Block No.	Ref. No.	Note	Part No.	Description	Reqd. QTY							Serial No.	Parts catalogue code	
					GCV 160	GCV 160 A	GCV 160 A0	GCV 160 E	GCV 160 LE	GCV 160 LA	GCV 160 LA0			
E-6	1	T	11300-ZMO-405	PAN ASSY., OIL .....	1	1	1	1	-	-	-	-----	-----	A1E7, A1E8, A1G7, A1J, A2C, A2E7, A2E8, A2E9 A2G7, A2U, N1, N1D, N1E7, N1W7, N2, N2D, N2E7 N2E8, N2E9
					1	-	-	-	-	-	-	2272087	-----	A1A, A1C, A1E, A2A, A2E, A2E4, A3E, N1E1, N1E2 N1W, N2E, N2E1, N2E3
					1	-	-	-	-	-	-	2427112	-----	N2U
					-	1	1	1	1	1	1	-----	-----	A1A, A1AE, A1AF, A1AS, A1AW, A1C, A1E, A1G9 A1M, A2A, A2A9, A2G4, A2G9, A3A, A3E, A3E7 A3E9, A3G9, A4A9, A4G4, A4G7, A4G9, BHH, BHH1 C1E, C1E1, C2E, C2E1, EHHB, E1A2, E1G7, E2G7 NBL1, N1E1, N1E2, RTL1, R1A, R3A, R3A1, SBT STA1, STL1, S1A, S1A1, S1E1, S1G4, S1M, S2E S2E1, S2E2, S2E3, S2G7, S3A, S3A2, S3E9, S3G9 S3H, S3H2, S3T, S4E4, S4E9, S4G4, S4G9
					-	-	1	-	-	-	-	-----	-----	C3E, C3E1, C4E, C4E1, N2U

NOTE A:PART NO. CHANGE D:NEWLY PROVIDED E:PART NO.DELETION K:REQUIRED NO. CORRECTION L:APPLICATION SERIAL NO. CORRECTION  
T:APPLICATION CORRECTION Z:REMARKS CHANGE

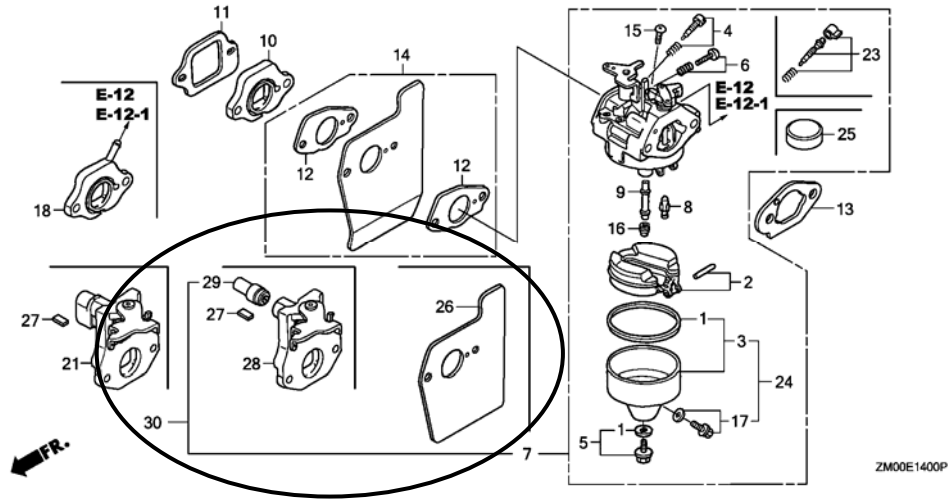
PARTS CATALOGUE NEWS

BOOKNo. : 13ZM00E8

Block No.	Ref. No.	Note	Part No.	Description	Reqd. QTY							Serial No.	Parts catalogue code
					GCV 160	GCV 160 A	GCV 160 AO	GCV 160 E	GCV 160 LE	GCV 160 LA	GCV 160 LAO		

E-14 CARBURETOR

Ref. No.	(Relative ref. Number)	Description	FRT
30	3111T9	CARBURETOR KIT .....	0.3



E-14	7	T	16100-ZOL-874	CARBURETOR ASSY. (BB75E A) ...	-	-	-	-	-	-	-	1	-----	S1M, S3H
	30	D	06161-ZOL-305	CARBURETOR KIT .....	-	-	1	-	-	-	-	-----	1064371	S2G7

NOTE A:PART NO. CHANGE D:NEWLY PROVIDED E:PART NO.DELETION K:REQUIRED NO. CORRECTION L:APPLICATION SERIAL NO. CORRECTION  
T:APPLICATION CORRECTION Z:REMARKS CHANGE



# PARTS CATALOGUE NEWS

Honda Motor Co., Ltd. Service Division

## PARTS CATALOGUE - CORRECTED

Printed in Japan

CODE NO.	13ZM00E8
PARTS CATALOGUE NEWS	GCV160 GCV160A GCV160A0 GCV160E GCV160LE GCV160LA GCV160LA0
NEWS NO.	022

Block No.	Ref. No.	Note	Part No.	Description	Reqd. QTY								Serial No.	Parts catalogue code
					GCV 160	GCV 160 A	GCV 160 A0	GCV 160 E	GCV 160 LE	GCV 160 LA	GCV 160 LA0			
E-22	1	T	16551-ZM0-010	ARM, GOVERNOR .....	1	1	1	1	-	1	1	-----	-----	A1E7, A1E8, A1G7, A1W7, A2E7, A2E8, A2E9, A2G7 A7E1, N1E7, N1J1, N1R, N1W7, N1W8, N1W9, N2E7 N2E8, N2E9, N3U, N7A1
					1	-	-	-	-	-	-	2299008	-----	A1A, A1C, A1E, A1P, A1W2, A2A, A2C, A2E, A2E4 A3E, N1, N1D, N1E1, N1E2, N1U, N1W, N1W1, N1W2 N2, N2E, N2E1, N2E3, N2U, N3V
					-	1	1	1	-	1	1	-----	-----	A1A, A1AS, A1AW, A1C, A1E, A1G9, A1M, A1P, A2A A2A9, A2C, A2G4, A2G9, A3E, A3E7, A3E9, A3G9 A3T9, A3W7, A3W8, A4G4, A4G7, A4G9, BHH, BHH1 C1E, C1E1, C2E, C2E1, C3E, C3E1, C4E, C4E1 EHHB, E1G7, E2G7, NBL1, N1D, N1E1, N1E2, N1T8 N1T9, N1U, N2U, N3T8, N3T9, N3V, N3W8, N3W9 N7S1, SBT, S1E1, S1G4, S2E, S2E1, S2E2, S2E3 S2G7, S3E9, S3G9, S3T, S4E4, S4E9, S4G4, S4G9
	-	-	-	-	1	-	-	-----	-----	R3A, S1A, S1M, S3A, S3H				
	3	T	16561-ZM0-V30	SPRING, GOVERNOR .....	1	1	-	1	1	1	-----	-----	A7E1, A7H1, N7A1, N7S1	

NOTE A:PART NO. CHANGE D:NEWLY PROVIDED E:PART NO.DELETION K:REQUIRED NO. CORRECTION L:APPLICATION SERIAL NO. CORRECTION  
T:APPLICATION CORRECTION Z:REMARKS CHANGE

PARTS CATALOGUE NEWS

BOOKNo. : 13ZM00E8

Block No.	Ref. No.	Note	Part No.	Description	Reqd. QTY							Serial No.	Parts catalogue code	
					GCV 160	GCV 160 A	GCV 160 AO	GCV 160 E	GCV 160 LE	GCV 160 LA	GCV 160 LAO			
	10	T	90015-ZE5-010	BOLT, GOVERNOR ARM .....	1	1	1	1	-	1	1	-----	-----	A1A, A1AS, A1AW, A1C, A1E, A1E7, A1E8, A1G7 A1G9, A1J, A1M, A1P, A1U, A1W2, A1W7, A2A, A2A9 A2C, A2E, A2E4, A2E7, A2E8, A2E9, A2G4, A2G7 A2G9, A2U, A3E, A3E7, A3E9, A3G9, A3T9, A3W7 A3W8, A4E, A4G4, A4G7, A4G9, A7E1, BHH, BHH1 C1E, C1E1, C2E, C2E1, C3E, C3E1, C4E, C4E1 EHHB, E1G7, E2G7, NBL1, N1, N1D, N1E1, N1E2 N1E7, N1J1, N1R, N1T8, N1T9, N1U, N1W, N1W1 N1W2, N1W7, N1W8, N1W9, N2, N2D, N2E, N2E1 N2E2, N2E3, N2E7, N2E8, N2E9, N2U, N3T8, N3T9 N3U, N3V, N3W8, N3W9, N7A1, N7S1, SBT, S1E1 S1G4, S2E, S2E1, S2E2, S2E3, S2G7, S3E9, S3G9 S3T, S4E4, S4E9, S4G4, S4G9
					-	-	-	-	1	-	-			
					-	-	-	-	-	-	1	-----	-----	R3A, S1A, S1M, S3A, S3H
	13	T	94050-06000	NUT, FLANGE, 6MM .....	1	1	1	1	-	1	1	-----	-----	A1A, A1AS, A1AW, A1C, A1E, A1E7, A1E8, A1G7 A1G9, A1J, A1M, A1P, A1U, A1W2, A1W7, A2A, A2A9 A2C, A2E, A2E4, A2E7, A2E8, A2E9, A2G4, A2G7 A2G9, A2U, A3E, A3E7, A3E9, A3G9, A3T9, A3W7 A3W8, A4E, A4G4, A4G7, A4G9, A7E1, BHH, BHH1 C1E, C1E1, C2E, C2E1, C3E, C3E1, C4E, C4E1 EHHB, E1G7, E2G7, NBL1, N1, N1D, N1E1, N1E2 N1E7, N1J1, N1R, N1T8, N1T9, N1U, N1W, N1W1 N1W2, N1W7, N1W8, N1W9, N2, N2D, N2E, N2E1 N2E2, N2E3, N2E7, N2E8, N2E9, N2U, N3T8, N3T9 N3U, N3V, N3W8, N3W9, N7A1, N7S1, SBT, S1E1 S1G4, S2E, S2E1, S2E2, S2E3, S2G7, S3E9, S3G9 S3T, S4E4, S4E9, S4G4, S4G9
					-	-	-	-	1	-	-			
					-	-	-	-	-	-	1	-----	-----	R3A, S1A, S1M, S3A, S3H

NOTE A:PART NO. CHANGE D:NEWLY PROVIDED E:PART NO.DELETION K:REQUIRED NO. CORRECTION L:APPLICATION SERIAL NO. CORRECTION  
T:APPLICATION CORRECTION Z:REMARKS CHANGE



## PARTS CATALOGUE NEWS

Honda Motor Co., Ltd. Service Division

Printed in Japan

CODE NO.	13ZM00E8
PARTS CATALOGUE NEWS	GCV160 GCV160A GCV160A0 GCV160E GCV160LE GCV160LA GCV160LA0
NEWS NO.	023

### GCV160A0-S3TE TYPE sales parts information

NOTE: This Parts Catalogue News explains only the parts of the different model that are produced to conform to addition of the GCV160A0-S3TE type.

As for the parts not listed on this Parts Catalogue News, use the parts of the GCV160LA0-S3T type.

#### •Models, parts catalogue codes and applicable serial numbers

Model	Type		Parts catalogue type	Applicable engine serial No.	Applicable carburetor identification No.
GCV160LA0	S3T	Base Type	S3T	GJARA-1000001~	BB75E B
GCV160A0	S3TE	Additional Type	S3TE	GJAPA-1000001~	

•Features of each type		Base type	Additional type	
Model		GCV160LA0	GCV160A0	
Specifications		Type	S3T	S3TE
Crankshaft	20mm Ø Straight (133.8mm)			
	22.2mm Ø Straight (100.4mm)			
	22.2mm Ø Straight (117.4mm) (Depth 24mm)			
	22.2mm Ø Straight (117.4mm) (Depth 52mm)			
	22.2mm Ø Straight (135.7mm)			
	25mm Ø Straight (117.4mm)			
	25mm Ø Straight (135.7mm) (3/8-24 UNF)	●	●	
	25mm Ø Straight (135.7mm) (7/16-20 UNF)			
	M14 Stepped thread (137.4mm)			
Recoil starter				
Recoil starter (Long rope)		●	●	
Flywheel brake		●	●	
Starter motor				

## PARTS CATALOGUE NEWS

BOOKNo. : 13ZM00E8

Block No.	Ref. No.	Part No.	Description	Reqd. QTY							Base Part No.	Parts catalogue code
				GCV 160	GCV 160 A	GCV 160 A0	GCV 160 E	GCV 160 LE	GCV 160 LA	GCV 160 LA0		
E-6	14	16541-Z8B-000	SHAFT, GOVERNOR ARM .....	-	-	1	-	-	-	-	16541-ZM0-000	
E-12-1	49	06175-Z0L-305	TANK KIT, FUEL .....	-	-	(1)	-	-	-	-		
E-16	2	18321-Z0L-800	PROTECTOR, MUFFLER .....	-	-	1	-	-	-	-	18321-Z0L-J01	
E-22	1		ARM, GOVERNOR .....	-	-	0	-	-	-	-	16551-ZM0-010	
	2		ROD, GOVERNOR .....	-	-	0	-	-	-	-	16555-Z0L-801	
	3		SPRING, GOVERNOR .....	-	-	0	-	-	-	-	16561-Z0L-000	
	4		SPRING, THROTTLE RETURN .....	-	-	0	-	-	-	-	16562-ZM0-000	
	10		BOLT, GOVERNOR ARM .....	-	-	0	-	-	-	-	90015-ZE5-010	
	13		NUT, FLANGE, 6MM .....	-	-	0	-	-	-	-	94050-06000	
E-22-2	1	16551-ZM0-010	ARM, GOVERNOR .....	-	-	1	-	-	-	-		
	2	16555-Z0L-801	ROD, GOVERNOR .....	-	-	1	-	-	-	-		
	3	16561-Z0L-000	SPRING, GOVERNOR .....	-	-	1	-	-	-	-		
	4	16562-ZM0-000	SPRING, THROTTLE RETURN .....	-	-	1	-	-	-	-		
	12	90015-ZE5-010	BOLT, GOVERNOR ARM .....	-	-	1	-	-	-	-		
	14	51125-Z0L-003	HOLDER, WIRE (FASTEX) .....	-	-	1	-	-	-	-		
	15	94050-06000	NUT, FLANGE, 6MM .....	-	-	1	-	-	-	-		
	18	16221-Z0L-900	SPACER, CARBURETOR .....	-	-	1	-	-	-	-		
E-28	33		MARK, OPERATOR CAUTION (ENGLISH) .....	-	-	0	-	-	-	-	87516-Z0J-000	
	34	87519-Z0J-000	MARK, OPERATOR CAUTION .....	-	-	1	-	-	-	-		
	37	87114-ZH7-840	LABEL, WARNING (NOT CERTIFIED FOR SALE) .....	-	-	1	-	-	-	-	87114-ZH7-821	





# PARTS CATALOGUE NEWS

Honda Motor Co., Ltd. Service Division

## PARTS CATALOGUE - CORRECTED

Printed in Japan

CODE NO.	13ZM00E8
PARTS CATALOGUE NEWS	GCV160 GCV160A GCV160A0 GCV160E GCV160LE GCV160LA GCV160LA0
NEWS NO.	024

Block No.	Ref. No.	Note	Part No.	Description	Reqd. QTY								Serial No.	Parts catalogue code	
					GCV 160	GCV 160 A	GCV 160 A0	GCV 160 E	GCV 160 LE	GCV 160 LA	GCV 160 LA0				
E-3	1	L	12000-Z0L-406	BARREL ASSY., CYLINDER .....	-	1	1	1	-	1	-	-	-----	-----	A1AW, S1M, S2E2, S2E3, S3A2, S3E9, S3G9, S3H S4E4, S4E9, S4G4, S4G9
					-	1	-	-	-	-	-	-----	-----	S2G7	
					-	-	1	-	-	-	1	-----	-----	A1A, A1AF, A1E7, A1M, A2E7, A2R, N1A, N1AF, N1L N1R, N1U, N2U, N3U, N3V, N5AF, N5MF, N5R, N5RB N5RE, N7A1, N7S1, SBT, S1A, S3A, S3H2, S3T, S3TE	
					-	-	1	-	-	-	-	-----	1059693	S2G7	
					-	-	-	-	-	-	1	-----	1231612	S1M, S3H	
					-	-	-	-	-	-	-	-----	1059694	S2G7	
		T	12000-Z0L-409	.....	-	-	1	-	-	-	-	1059694	-----	S2G7	
					-	-	-	-	-	-	1	1231613	-----	S1M, S3H	

NOTE A:PART NO. CHANGE D:NEWLY PROVIDED E:PART NO.DELETION K:REQUIRED NO. CORRECTION L:APPLICATION SERIAL NO. CORRECTION  
T:APPLICATION CORRECTION Z:REMARKS CHANGE



# PARTS CATALOGUE NEWS

Honda Motor Co., Ltd. Service Division

## PARTS CATALOGUE - CORRECTED

Printed in Japan

CODE NO.	13ZM00E8
PARTS CATALOGUE NEWS	GCV160 GCV160A GCV160A0 GCV160E GCV160LE GCV160LA GCV160LA0
NEWS NO.	025

### GCV160E-N2EE TYPE sales parts information

NOTE: This Parts Catalogue News explains only the parts of the different model that are produced to conform to addition of the GCV160E-N2EE type.

As for the parts not listed on this Parts Catalogue News, use the parts of the GCV160E-N2E8 type.

#### •Models, parts catalogue codes and applicable serial numbers

Model	Type		Parts catalogue type	Applicable engine serial No.	Applicable carburetor identification No.
GCV160E	N2E8	Base Type	N2E8	GJAAE-1000001~	BB62B D / E BB62W A
	N2EE	Additional Type	N2EE		BB62W B

•Features of each type		Base type	Additional type
Specifications		GCV160E	
		Model	Type
		N2E8	N2EE
Crankshaft	20mm Ø Straight (133.8mm)		
	22.2mm Ø Straight (100.4mm)		
	22.2mm Ø Straight (117.4mm) (Depth 24mm)	●	●
	22.2mm Ø Straight (117.4mm) (Depth 52mm)		
	22.2mm Ø Straight (135.7mm)		
	25mm Ø Straight (117.4mm)		
	25mm Ø Straight (135.7mm) (3/8-24 UNF)		
	25mm Ø Straight (135.7mm) (7/16-20 UNF)		
	M14 Stepped thread (137.4mm)		
Recoil starter		●	●
Recoil starter (Long rope)			
Flywheel brake			
Starter motor			

NOTE A:PART NO. CHANGE D:NEWLY PROVIDED E:PART NO.DELETION K:REQUIRED NO. CORRECTION L:APPLICATION SERIAL NO. CORRECTION  
 T:APPLICATION CORRECTION Z:REMARKS CHANGE

## PARTS CATALOGUE NEWS

BOOKNo. :13ZM00E8

Block No.	Ref. No.	Part No.	Description	Reqd. QTY							Base Part No.	Parts catalogue code
				GCV 160	GCV 160 A	GCV 160 AO	GCV 160 E	GCV 160 LE	GCV 160 LA	GCV 160 LAO		
E-3	1	12000-Z1L-405	BARREL ASSY., CYLINDER .....	-	-	-	1	-	-	-		
	9		BARREL ASSY., CYLINDER .....	-	-	-	0	-	-	-	12000-ZL8-425	
	11		VALVE, IN. (ROCKNEL) .....	-	-	-	0	-	-	-	14711-Z0J-000	
		14711-ZL8-000	VALVE, IN. (TECHNOSTAR) .....	-	-	-	1	-	-	-		
E-6	1	11300-Z0M-405	PAN ASSY., OIL .....	-	-	-	1	-	-	-	11300-ZM0-405	
	26	91231-891-003	OIL SEAL, 6X11X4 (ARAI) .....	-	-	-	1	-	-	-		
E-11	1		STARTER ASSY., RECOIL *R280*..... POWER RED	-	-	-	0	-	-	-	28400-ZM0-023ZC	
E-12	6		COVER COMP., FAN *R280*..... POWER RED	-	-	-	0	-	-	-	19610-Z1L-000ZB	
E-14	7	16100-Z0L-013	CARBURETOR ASSY. (BB62W B)...	-	-	-	1	-	-	-	16100-Z0L-003	
E-15	3	17220-ZM0-030	CASE ASSY., AIR CLEANER .....	-	-	-	1	-	-	-	17220-ZM0-010	
	6	17231-Z0L-050	COVER, AIR CLEANER .....	-	-	-	1	-	-	-	17231-Z0L-030	
E-16	2	18321-ZL8-010	PROTECTOR, MUFFLER .....	-	-	-	1	-	-	-	18321-ZL8-000	
E-19	13	90201-Z0T-800	NUT, SPECIAL, 14MM .....	-	-	-	1	-	-	-	90201-878-003	
E-22	7	16580-Z0M-880	BASE COMP., CONTROL .....	-	-	-	1	-	-	-	16580-ZM0-882	
E-28	32	87524-Z8B-000	MARK, FUEL COCK CAUTION .....	-	-	-	1	-	-	-		
	34	87519-Z0J-000	MARK, OPERATOR CAUTION .....	-	-	-	1	-	-	-		

NOTE A:PART NO. CHANGE D:NEWLY PROVIDED E:PART NO.DELETION K:REQUIRED NO. CORRECTION L:APPLICATION SERIAL NO. CORRECTION  
T:APPLICATION CORRECTION Z:REMARKS CHANGE



## PARTS CATALOGUE NEWS

Honda Motor Co., Ltd.  
Customer Service Technology Development Division

Printed in Japan

CODE NO.	13ZM00E8
PARTS CATALOGUE NEWS	GCV160 GCV160A GCV160A0 GCV160E GCV160LE GCV160LA GCV160LA0
NEWS NO.	026

### GCV160A0-SBTE TYPE sales parts information

NOTE: This Parts Catalogue News explains only the parts of the different model that are produced to conform to addition of the GCV160A0-SBTE type.

As for the parts not listed on this Parts Catalogue News, use the parts of the GCV160LA0-SBT type.

#### •Models, parts catalogue codes and applicable serial numbers

Model	Type		Parts catalogue type	Applicable engine serial No.	Applicable carburetor identification No.
GCV160LA0	SBT	Base Type	SBT	GJARA-1000001~	BB75E B
GCV160A0	SBTE	Additional Type	SBTE	GJAPA-1000001~	

•Features of each type		Base type	Additional type
		GCV160LA0	GCV160A0
Specifications		Model	Type
		SBT	SBTE
Crankshaft	20mm Ø Straight (133.8mm)		
	22.2mm Ø Straight (100.4mm)		
	22.2mm Ø Straight (117.4mm) (Depth 24mm)		
	22.2mm Ø Straight (117.4mm) (Depth 52mm)		
	22.2mm Ø Straight (135.7mm)		
	25mm Ø Straight (117.4mm)		
	25mm Ø Straight (135.7mm) (3/8-24 UNF)		
	25mm Ø Straight (135.7mm) (7/16-20 UNF)		
	M14 Stepped thread (137.4mm)	●	●
	Recoil starter		
Recoil starter (Long rope)	●	●	
Flywheel brake			
Starter motor			

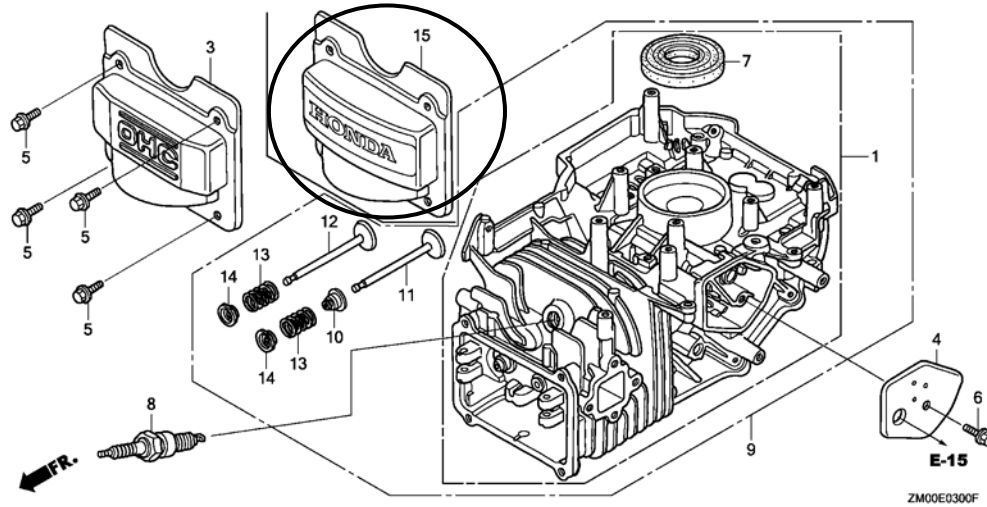
PARTS CATALOGUE NEWS

BOOKNo. : 13ZM00E8

Block No.	Ref. No.	Part No.	Description	Reqd. QTY							Base Part No.	Parts catalogue code
				GCV 160	GCV 160 A	GCV 160 AO	GCV 160 E	GCV 160 LE	GCV 160 LA	GCV 160 LAO		

E-3 CYLINDER BARREL

Ref. No.	LON	(Relative ref. Number) Description	FRT
3	1111D5	(15) COVER, CYLINDER HEAD AND/OR PACKING, HEAD COVER .....	0.2



E-3	3	COVER, HEAD.....	-	-	0	-	-	-	-	12311-ZL8-000	SBTE
	12	14721-Z8B-000 VALVE, EX. (C8E).....	-	-	1	-	-	-	-		SBTE
	15	12311-Z8B-000 COVER, HEAD.....	-	-	1	-	-	-	-		SBTE
E-6	14	16541-Z8B-000 SHAFT, GOVERNOR ARM.....	-	-	1	-	-	-	-	16541-ZM0-000	SBTE
	23	90701-Z8B-000 DOWEL PIN, 8X20.....	-	-	2	-	-	-	-	94301-08200	SBTE
E-8	4	90006-Z8B-000 BOLT, CONNECTING ROD.....	-	-	2	-	-	-	-	90001-ZE1-000	SBTE
E-10	2	14324-Z8B-000 SHAFT, CAM PULLEY.....	-	-	1	-	-	-	-	14324-ZL8-000	SBTE
E-12-1	27	90043-Z8B-000 BOLT, STUD (FAN COVER).....	-	-	2	-	-	-	-	90043-ZL8-000	SBTE
	28	90043-Z8B-900 BOLT, STUD (FAN COVER).....	-	-	1	-	-	-	-	90043-Z0J-900	SBTE
E-14	16	99101-124-0680 JET, MAIN, #68.....	-	-	(1)	-	-	-	-		SBTE
E-15	5	17228-Z8B-000 PACKING, AIR CLEANER.....	-	-	1	-	-	-	-	17228-ZM0-000	SBTE

NOTE A:PART NO. CHANGE D:NEWLY PROVIDED E:PART NO.DELETION K:REQUIRED NO. CORRECTION L:APPLICATION SERIAL NO. CORRECTION  
T:APPLICATION CORRECTION Z:REMARKS CHANGE

PARTS CATALOGUE NEWS

BOOKNo. : 13ZM00E8

Block No.	Ref. No.	Part No.	Description	Reqd. QTY							Base Part No.	Parts catalogue code
				GCV 160	GCV 160 A	GCV 160 AO	GCV 160 E	GCV 160 LE	GCV 160 LA	GCV 160 LAO		
E-16	2	18321-ZOL-810	PROTECTOR, MUFFLER.....	-	-	1	-	-	-	-	18321-ZOL-J01	SBTE
E-22	1		ARM, GOVERNOR.....	-	-	0	-	-	-	-	16551-ZM0-010	SBTE
	2		ROD, GOVERNOR.....	-	-	0	-	-	-	-	16555-ZOL-801	SBTE
	3		SPRING, GOVERNOR.....	-	-	0	-	-	-	-	16561-ZOL-000	SBTE
	4		SPRING, THROTTLE RETURN.....	-	-	0	-	-	-	-	16562-ZM0-000	SBTE
	10		BOLT, GOVERNOR ARM.....	-	-	0	-	-	-	-	90015-ZE5-010	SBTE
	13		NUT, FLANGE, 6MM.....	-	-	0	-	-	-	-	94050-06000	SBTE
E-22-2	1	16551-ZM0-010	ARM, GOVERNOR.....	-	-	1	-	-	-	-		SBTE
	2	16555-ZOL-801	ROD, GOVERNOR.....	-	-	1	-	-	-	-		SBTE
	3	16561-ZOL-000	SPRING, GOVERNOR.....	-	-	1	-	-	-	-		SBTE
	4	16562-ZM0-000	SPRING, THROTTLE RETURN.....	-	-	1	-	-	-	-		SBTE
	12	90015-ZE5-010	BOLT, GOVERNOR ARM.....	-	-	1	-	-	-	-		SBTE
	15	94050-06000	NUT, FLANGE, 6MM.....	-	-	1	-	-	-	-		SBTE
	18	16221-ZOL-900	SPACER, CARBURETOR.....	-	-	1	-	-	-	-		SBTE
E-28	30		MARK, EMBLEM (GCV160).....	-	-	0	-	-	-	-	87101-Z8B-000	SBTE
	34	87519-Z0J-000	MARK, OPERATOR CAUTION.....	-	-	1	-	-	-	-		SBTE
	37	87114-ZH7-850	LABEL, WARNING.....	-	-	1	-	-	-	-	87114-ZH7-821	SBTE

NOTE A:PART NO. CHANGE D:NEWLY PROVIDED E:PART NO.DELETION K:REQUIRED NO. CORRECTION L:APPLICATION SERIAL NO. CORRECTION  
T:APPLICATION CORRECTION Z:REMARKS CHANGE





# PARTS CATALOGUE NEWS

Honda Motor Co., Ltd.  
Customer Service Technology Development Division

## PARTS CATALOGUE - CORRECTED

Printed in Japan

CODE NO.	13ZM00E8
PARTS CATALOGUE NEWS	GCV160 GCV160A GCV160A0 GCV160E GCV160LE GCV160LA GCV160LA0
NEWS NO.	027

Block No.	Ref. No.	Note	Part No.	Description	Reqd. QTY								Serial No.	Parts catalogue code
					GCV 160	GCV 160 A	GCV 160 A0	GCV 160 E	GCV 160 LE	GCV 160 LA	GCV 160 LA0			
E-28	32	T	87524-Z8B-000	MARK, FUEL COCK CAUTION	-	-	1	1	-	-	-	-	-	N2EE, N5RE, S3TE, SBTE
					-	-	-	-	1	1	1			

NOTE A:PART NO. CHANGE D:NEWLY PROVIDED E:PART NO.DELETION K:REQUIRED NO. CORRECTION L:APPLICATION SERIAL NO. CORRECTION  
T:APPLICATION CORRECTION Z:REMARKS CHANGE



# PARTS CATALOGUE NEWS

Honda Motor Co., Ltd.

Customer Service Technology Development Division

## PARTS CATALOGUE - CORRECTED

Printed in Japan

CODE NO.	13ZM00E8
PARTS CATALOGUE NEWS	GCV160 GCV160A GCV160A0 GCV160E GCV160LE GCV160LA GCV160LA0
NEWS NO.	028

Block No.	Ref. No.	Note	Part No.	Description	Reqd. QTY								Serial No.	Parts catalogue code
					GCV 160	GCV 160 A	GCV 160 A0	GCV 160 E	GCV 160 LE	GCV 160 LA	GCV 160 LA0			
E-6	14	T	16541-Z8B-000	SHAFT, GOVERNOR ARM. ....	-	-	-	-	-	-	-	1	1642936	
					-	-	1	-	-	-	-	-	-----	S3TE, SBTE
		L	16541-ZM0-000	.....	-	-	-	-	-	-	-	1	----- 1642935	
					1	1	1	1	1	1	-	-----	-----	A1A, A1AE, A1AF, A1AS, A1AW, A1C, A1E, A1E7 A1E8, A1G7, A1G9, A1J, A1M, A1P, A1U, A1W2 A1W7, A2A, A2A9, A2C, A2E, A2E4, A2E7, A2E8 A2E9, A2G4, A2G7, A2G9, A2R, A2U, A3A, A3E A3E7, A3E9, A3G9, A3T9, A3W7, A3W8, A4A9, A4E A4G4, A4G7, A4G9, A7E1, A7H1, BHH, BHH1, C1E C1E1, C2E, C2E1, C3E, C3E1, C4E, C4E1, E1A2 E1A4, E1G7, E2G7, E5A4, EHHB, N1, N1A, N1AF N1C, N1D, N1E1, N1E2, N1E7, N1J1, N1L, N1R N1T8, N1T9, N1U, N1W, N1W1, N1W2, N1W7, N1W8 N1W9, N2, N2D, N2E, N2E1, N2E2, N2E3, N2E7 N2E8, N2E9, N2EE, N2U, N3T8, N3T9, N3U, N3V N3W8, N3W9, N5A, N5AF, N5C, N5MF, N5R, N5RE N7A1, N7S1, NBL1, R1A, R3A, R3A1, RTL1, S1A S1A1, S1E1, S1G4, S1M, S2E, S2E1, S2E2, S2E3 S2G7, S3A, S3A2, S3E9, S3G9, S3H, S3H2, S4E4 S4E9, S4G4, S4G9, STA1, STL1

NOTE A:PART NO. CHANGE D:NEWLY PROVIDED E:PART NO.DELETION K:REQUIRED NO. CORRECTION L:APPLICATION SERIAL NO. CORRECTION  
T:APPLICATION CORRECTION Z:REMARKS CHANGE



# PARTS CATALOGUE NEWS

Honda Motor Co., Ltd.

Customer Service Technology Development Division

## PARTS CATALOGUE - CORRECTED

Printed in Japan

CODE NO.	13ZM00E8
PARTS CATALOGUE NEWS	GCV160 GCV160A GCV160A0 GCV160E GCV160LE GCV160LA GCV160LA0
NEWS NO.	029

Block No.	Ref. No.	Note	Part No.	Description	Reqd. QTY								Serial No.	Parts catalogue code	
					GCV 160	GCV 160 A	GCV 160 A0	GCV 160 E	GCV 160 LE	GCV 160 LA	GCV 160 LA0				
E-6	17	T	16584-883-300	SPRING, CONTROL ADJUSTING. ....	1	1	-	-	1	-	-	-	-----	-----	A1E7, A1E8, A1G7, A1W7, A2A9, A2E7, A2E8, A2E9, A2G7, A4A9, A7E1, A7H1, BHH1, C1E, C1E1, C2E, C2E1, C3E, C3E1, C4E, C4E1E1G7, E2G7, N1E7, N1R, N1W7, N1W8, N1W9, N2E7, N2E8, N2E9, N7A1, S2G7
					-	-	1	1	-	1	-	-----	-----	A1E7, A1E8, A1G7, A1G9, A1W7, A2A9, A2E7, A2E8, A2E9, A2G4, A2G7, A2G9, A3E7, A3E9, A3G9, A3T9, A3W7, A3W8, A4G4, A4G7, A4G9, BHH1, C1E, C1E1, C2E, C2E1, C3E, C3E1, C4E, C4E1, E2G7, N1E7, N1R, N1T8, N1T9, N1W7, N1W8, N1W9, N2E7, N2E8, N2E9, N2EE, N3T8, N3T9, N3W8, N3W9, N7A1, N7S1, S1G4, S2E3, S3G9, S4G4, S4G9	
	18	T	16599-ZG1-M10	COLLAR, STOPPER. ....	1	1	-	-	1	-	-	-----	-----	A1E7, A1E8, A1G7, A1W7, A2A9, A2E7, A2E8, A2E9, A2G7, A4A9, A7E1, A7H1, BHH1, C1E, C1E1, C2E, C2E1, C3E, C3E1, C4E, C4E1E1G7, E2G7, N1E7, N1W7, N1W8, N1W9, N2E7, N2E8, N2E9, N7A1, S2G7	
					-	-	1	1	-	1	-	-----	-----	A1E7, A1E8, A1G7, A1G9, A1W7, A2A9, A2E7, A2E8, A2E9, A2G4, A2G7, A2G9, A3E7, A3E9, A3G9, A3T9, A3W7, A3W8, A4G4, A4G7, A4G9, BHH1, C1E, C1E1, C2E, C2E1, C3E, C3E1, C4E, C4E1, E2G7N1E7, N1T8, N1T9, N1W7, N1W8, N1W9, N2E7, N2E8, N2E9, N2EE, N3T8, N3T9, N3W8, N3W9, N7A1, N7S1, S1G4, S2E3, S3G9, S4G4, S4G9	
	19	T	90016-ZE7-W00	SCREW, RECESSED, 5X28	1	1	-	-	-	-	-	-----	-----	A1E7, A1E8, A1G7, A1W7, A2E7, A2E8, A2E9, A2G7, A7E1, BHH1, C1E, C1E1, C2E, C2E1, C3E, C3E1, C4E, C4E1, E1G7, E2G7, N1E7, N1W7, N1W8, N1W9, N2E7, N2E8, N2E9, N7A1, S2G7,	

NOTE A:PART NO. CHANGE D:NEWLY PROVIDED E:PART NO.DELETION K:REQUIRED NO. CORRECTION L:APPLICATION SERIAL NO. CORRECTION  
T:APPLICATION CORRECTION Z:REMARKS CHANGE

PARTS CATALOGUE NEWS

BOOKNo. : 13ZM00E8

Block No.	Ref. No.	Note	Part No.	Description	Reqd. QTY								Serial No.	Parts catalogue code
					GCV 160	GCV 160 A	GCV 160 AO	GCV 160 E	GCV 160 LE	GCV 160 LA	GCV 160 LAO			
					-	-	1	1	-	1	-	-----	-----	A1E7, A1E8, A1G7, A1G9, A1W7, A2A9, A2E7, A2E8, A2E9, A2G4, A2G7, A2G9, A3E7, A3E9, A3G9, A3T9, A3W7, A3W8, A4G4, A4G7, A4G9, BHH1, C1E, C1E1, C2E, C2E1, C3E, C3E1, C4E, C4E1, E2G7, N1E7, N1T8, N1T9, N1W7, N1W8, N1W9, N2E7, N2E8, N2E9, N2EE, N3T8, N3T9, N3W8, N3W9, N7A1, N7S1, S1G4, S2E3, S3G9, S4G4, S4G9

NOTE A:PART NO. CHANGE D:NEWLY PROVIDED E:PART NO.DELETION K:REQUIRED NO. CORRECTION L:APPLICATION SERIAL NO. CORRECTION  
T:APPLICATION CORRECTION Z:REMARKS CHANGE



# PARTS CATALOGUE NEWS

Honda Motor Co., Ltd.  
Customer Service Technology Development Division

Printed in Japan

CODE NO.	13ZM00E8
PARTS CATALOGUE NEWS	GCV160 GCV160A GCV160A0 GCV160E GCV160LE GCV160LA GCV160LA0
NEWS NO.	030

## GCV160E-A7Q1 TYPE sales parts information

NOTE: This Parts Catalogue News explains only the parts of the different model that are produced to conform to addition of the GCV160E-A7Q1 type.

As for the parts not listed on this Parts Catalogue News, use the parts of the GCV160E-A7E1 type.

### •Models, parts catalogue codes and applicable serial numbers

Model	Type		Parts catalogue type	Applicable engine serial No.	Applicable carburetor identification No.
GCV160E	A7E1	Base Type	A7E1	GJAAE-1000001~	BB62F A BB62F B BB62Y A
	A7Q1	Additional Type	A7Q1		BB62Y C

•Features of each type		Base type	Additional type	
Model		GCV160E		
Specifications		Type	A7E1	A7Q1
Crankshaft	20mm Ø Straight (133.8mm)			
	22.2mm Ø Straight (100.4mm)			
	22.2mm Ø Straight (117.4mm) (Depth 24mm)			
	22.2mm Ø Straight (117.4mm) (Depth 52mm)	●	●	
	22.2mm Ø Straight (135.7mm)			
	25mm Ø Straight (117.4mm)			
	25mm Ø Straight (135.7mm) (3/8-24 UNF)			
	25mm Ø Straight (135.7mm) (7/16-20 UNF)			
	M14 Stepped thread (137.4mm)			
	Recoil starter	●	●	
Recoil starter (Long rope)				
Flywheel brake	●	●		
Starter motor				

NOTE A:PART NO. CHANGE D:NEWLY PROVIDED E:PART NO.DELETION K:REQUIRED NO. CORRECTION L:APPLICATION SERIAL NO. CORRECTION T:APPLICATION CORRECTION Z:REMARKS CHANGE

PARTS CATALOGUE NEWS

BOOKNo. : 13ZM00E8

Block No.	Ref. No.	Part No.	Description	Reqd. QTY							Base Part No.	Parts catalogue code
				GCV 160	GCV 160 A	GCV 160 AO	GCV 160 E	GCV 160 LE	GCV 160 LA	GCV 160 LAO		
E-3	1	12000-Z1L-405	BARREL ASSY., CYLINDER.....	-	-	-	1	-	-	-	A7Q1	
	9		BARREL ASSY., CYLINDER.....	-	-	-	0	-	-	-	12000-ZL8-425 A7Q1	
	11	14711-ZL8-000	VALVE, IN. (TECHNOSTAR).....	-	-	-	1	-	-	-	14711-Z0J-000 A7Q1	
E-12	9	90041-Z1L-000	BOLT, STUD.....	-	-	-	2	-	-	-	90043-ZL8-000 A7Q1	
	20	17703-Z0L-790	TUBE B, FUEL.....	-	-	-	1	-	-	-	A7Q1	
	38	90041-Z1L-000	BOLT, STUD.....	-	-	-	1	-	-	-	90043-ZL8-000 A7Q1	
E-14	7	16100-Z1L-023	CARBURETOR ASSY. (BB62Y C).....	-	-	-	1	-	-	-	16100-Z1L-003 A7Q1	
	16	99101-124-0600	JET, MAIN, #60.....	-	-	-	1	-	-	-	A7Q1	
E-15	1	15721-Z1L-000	TUBE, BREATHER.....	-	-	-	1	-	-	-	15721-ZM0-000 A7Q1	
	2	17211-Z1L-003	ELEMENT, AIR CLEANER.....	-	-	-	1	-	-	-	17211-ZL8-023 A7Q1	
	3	17220-ZM0-030	CASE ASSY., AIR CLEANER.....	-	-	-	1	-	-	-	17220-ZM0-010 A7Q1	
	6	17231-Z0L-050	COVER, AIR CLEANER.....	-	-	-	1	-	-	-	17231-Z0L-030 A7Q1	
E-16	2	18320-Z0M-781	PROTECTOR COMP., MUFFLER.....	-	-	-	1	-	-	-	18320-Z0M-780 A7Q1	
E-19	7	75100-Z1L-000	BRAKE ASSY.....	-	-	-	1	-	-	-	75100-ZM0-000 A7Q1	
	13	90201-Z0T-800	NUT, SPECIAL, 14MM.....	-	-	-	1	-	-	-	90201-878-003 A7Q1	
E-22	20	16580-Z0M-782	BASE COMP., CONTROL.....	-	-	-	1	-	-	-	16580-Z0M-781 A7Q1	
E-28	7		MARK, EMBLEM (GCV160 5.5).....	-	-	-	0	-	-	-	87101-Z0L-800 A7Q1	
	20		LABEL, WARNING (NOT CERTIFIED FOR SALE)	-	-	-	0	-	-	-	87114-ZH7-840 A7Q1	
	34	87519-Z0J-000	MARK, OPERATOR CAUTION.....	-	-	-	1	-	-	-	A7Q1	

NOTE A:PART NO. CHANGE D:NEWLY PROVIDED E:PART NO.DELETION K:REQUIRED NO. CORRECTION L:APPLICATION SERIAL NO. CORRECTION  
T:APPLICATION CORRECTION Z:REMARKS CHANGE



# PARTS CATALOGUE NEWS

Honda Motor Co., Ltd.

Customer Service Technology Development Division

## PARTS CATALOGUE - CORRECTED

Printed in Japan

CODE NO.	13ZM00E8
PARTS CATALOGUE NEWS	GCV160 GCV160A GCV160A0 GCV160E GCV160LE GCV160LA GCV160LA0
NEWS NO.	031

Block No.	Ref. No.	Note	Part No.	Description	Reqd. QTY								Serial No.	Parts catalogue code	
					GCV 160	GCV 160 A	GCV 160 A0	GCV 160 E	GCV 160 LE	GCV 160 LA	GCV 160 LA0				
E-12-1	7	D	16952-Z8B-000	STRAINER, FUEL.....	-	-	1	-	-	-	-	-	1428002	N5RE, S3TE	
					-	-	1	-	-	-	-	-	-	SBTE	
		L	16952-ZA8-800	.....	-	-	-	-	1	1	1	-	-	-	-
					-	-	1	-	-	-	-	1428001	N5RE, S3TE		
	35	D	91424-Z8B-901	TUBE, FUEL, 4. 5X110.....	-	-	1	-	-	-	-	-	-	SBTE	
		T	91424-Z8B-821	TUBE, FUEL, 4. 5X110 (FKM).....	-	-	1	-	-	-	1	-	-	R3A, S1A, S1M, S3A, S3H, S3T, S3TE, SBT	
	36	D	91427-Z8B-901	TUBE, FUEL, 7. 3X160.....	-	-	1	-	-	-	-	-	-	SBTE	
		T	91427-Z8B-821	TUBE, FUEL, 7. 3X160 (FKM).....	-	-	1	-	-	-	1	-	-	R3A, S1A, S1M, S3A, S3H, S3T, S3TE, SBT	
	37	D	95002-50000	CLIP, TUBE (C9).....	-	-	2	-	-	-	-	-	-	SBTE	
	39	D	95002-02130	CLIP, TUBE (B12. 5).....	-	-	2	-	-	-	-	-	-	SBTE	
	40	T	95002-40800-08	CLAMP, TUBE (D8) .....	-	-	2	-	-	-	2	-	-	A1A, A1AF, A2R, BHH, E1A2, N1A, N1AF, N5AF, N5MF N5R, N5RB, N5RE, N7A1, N7S1, R3A, S1A, S1M, S3A S3H, S3T, S3TE, SBT	
	42	T	95002-41200-08	CLAMP, TUBE (D12) .....	-	-	1	-	-	-	-	-	-	N5RE	
					-	-	2	-	-	-	-	-	-	-	-

NOTE A:PART NO. CHANGE D:NEWLY PROVIDED E:PART NO.DELETION K:REQUIRED NO. CORRECTION L:APPLICATION SERIAL NO. CORRECTION  
T:APPLICATION CORRECTION Z:REMARKS CHANGE

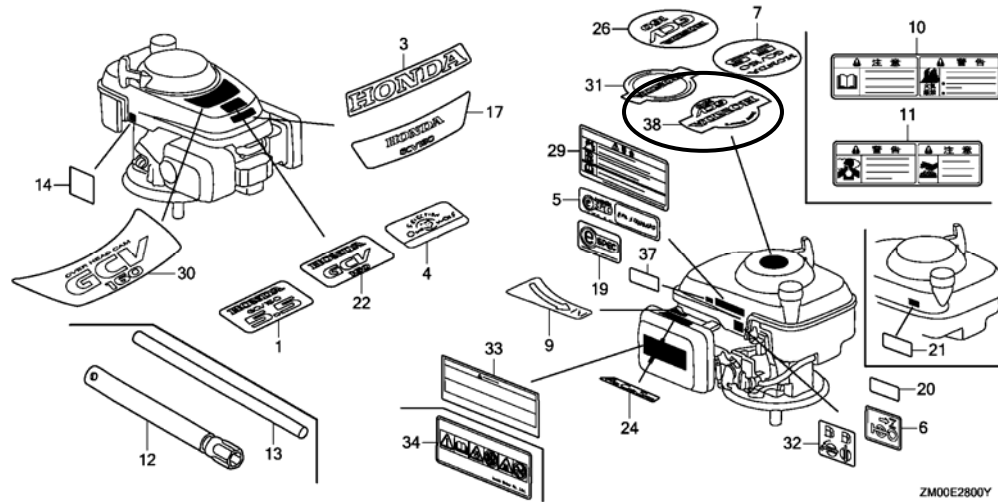


PARTS CATALOGUE NEWS

BOOKNo. : 13ZM00E8

Block No.	Ref. No.	Note	Part No.	Description	Reqd. QTY								Serial No.	Parts catalogue code
					GCV 160	GCV 160 A	GCV 160 AO	GCV 160 E	GCV 160 LE	GCV 160 LA	GCV 160 LAO			
					-	-	-	-	-	-	-	1	-----	A1A, A1AF, A2R, BHH, E1A2, N1A, N1AF, N5AF, N5MF, N5R, N5RB, N7A1, N7S1
					-	-	-	-	-	-	-	2	-----	R3A, S1A, S1M, S3A, S3H, S3T, SBT

E-28 LABEL/TOOL



E-28	38	A	87169-Z8B-000	MARK, RECOIL COVER GCV160.....	-	-	1	-	-	-	-	1372040	-----	S3H2, S3TE
					-	-	1	-	-	-	-	-----	-----	SBTE

NOTE A:PART NO. CHANGE D:NEWLY PROVIDED E:PART NO.DELETION K:REQUIRED NO. CORRECTION L:APPLICATION SERIAL NO. CORRECTION  
T:APPLICATION CORRECTION Z:REMARKS CHANGE



# PARTS CATALOGUE NEWS

Honda Motor Co., Ltd.

Customer Service Technology Development Division

## PARTS CATALOGUE - CORRECTED

Printed in Japan

CODE NO.	13ZM00E8
PARTS CATALOGUE NEWS	GCV160 GCV160A GCV160A0 GCV160E GCV160LE GCV160LA GCV160LA0
NEWS NO.	032

Block No.	Ref. No.	Note	Part No.	Description	Reqd. QTY								Serial No.	Parts catalogue code
					GCV 160	GCV 160 A	GCV 160 A0	GCV 160 E	GCV 160 LE	GCV 160 LA	GCV 160 LA0			
E-28	22	L	87101-ZMO-020	MARK, EMBLEM (GCV160).....	-	1	-	-	-	-	-	-	-----	A1AW, C1E, C1E1, C2E, C2E1, C3E, C3E1, C4E, C4E1
					-	-	1	-	-	1	-	-----	A1A, A1AW, A1E7, A1M, A2E7, BHH1, C1E, C1E1, C2E, C2E1, C3E, C3E1, C4E, C4E1, E2G7, N1L, N1R, N1U, S2G7	
					-	-	1	-	-	-	-	-----	1372039 S3H2	
					-	-	-	1	-	-	-	-----	2189260 A2A9, A2R, N1D, N1R, S1E1	
	30	L	87101-Z8B-000	MARK, EMBLEM (GCV160).....	-	-	1	-	1	1	-	-----	A1A, A1AF, A2A9, A2R, A4A9, BHH, E1A2, N1A, N1AF, N5AF, N5MF, N5R, N5RE, R3A, S1A, S1M, S3A, S3H	
					-	-	1	-	-	-	-	-----	1372039 S3TE	
					-	-	-	-	-	-	1			
	31	L	87169-Z8E-000	MARK, RECOIL COVER.....	-	-	1	-	-	1	1	-----	A1A, A1AF, A2R, BHH, E1A2, N1A, N1AF, N5AF, N5MF, N5R, N5RB, N5RE, N7A1, N7S1, R3A, S1A, S1M, S3A, S3H, S3T, SBT, SBTE	
					-	-	1	-	-	-	-	-----	1372039 S3TE	

NOTE A:PART NO. CHANGE D:NEWLY PROVIDED E:PART NO.DELETION K:REQUIRED NO. CORRECTION L:APPLICATION SERIAL NO. CORRECTION  
T:APPLICATION CORRECTION Z:REMARKS CHANGE



# PARTS CATALOGUE NEWS

Honda Motor Co., Ltd.  
Customer Service Technology Development Division

## PARTS CATALOGUE - CORRECTED

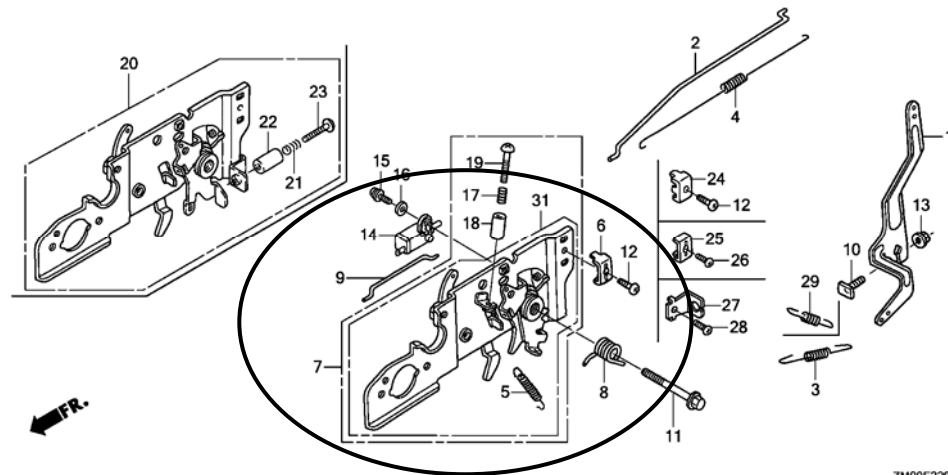
Printed in Japan

CODE NO.	13ZM00E8
PARTS CATALOGUE NEWS	GCV160 GCV160A GCV160A0 GCV160E GCV160LE GCV160LA GCV160LA0
NEWS NO.	033

Block No.	Ref. No.	Note	Part No.	Description	Reqd. QTY								Serial No.	Parts catalogue code
					GCV 160	GCV 160 A	GCV 160 A0	GCV 160 E	GCV 160 LE	GCV 160 LA	GCV 160 LA0			

### E-22 CONTROL (1)

Ref. No.	(Relative ref. Number) Description	FRT
7	(20, 31) 1161A2 BASE, CONTROL .....	0.3



ZM00E2200J

E-22	7	L	16580-ZOM-870	BASE COMP., CONTROL.....	-	-	-	1	-	-	-	2511562	3135603	A1G9, A2G4, A2G7, A2G9, A3E7, A3E9, A3G9, A3W8 A4G4, A4G7, A4G9
					-	-	-	1	-	-	-	2511562	3135603	A2A9, A4A9

NOTE A:PART NO. CHANGE D:NEWLY PROVIDED E:PART NO.DELETION K:REQUIRED NO. CORRECTION L:APPLICATION SERIAL NO. CORRECTION  
T:APPLICATION CORRECTION Z:REMARKS CHANGE

PARTS CATALOGUE NEWS

BOOKNo. : 13ZM00E8

Block No.	Ref. No.	Note	Part No.	Description	Reqd. QTY								Serial No.	Parts catalogue code
					GCV 160	GCV 160 A	GCV 160 AO	GCV 160 E	GCV 160 LE	GCV 160 LA	GCV 160 LAO			
		L	16580-ZMO-872	.....	-	-	-	1	-	-	-	2352104	-----	A1E7, A1E8, A1G7, A2A9, A2E7, A2E8, A2E9, A3W7
					-	-	1	-	-	-	-	-----	-----	A1E7, A2E7, C1E, C1E1, C2E, C2E1, C3E, C3E1 C4E, C4E1, E2G7
					-	-	-	1	-	-	-	2352104	2511561	A1G9, A2G4, A2G7, A2G9, A3E7, A3E9, A3W8
					-	-	-	-	1	-	-	2352104	2511561	A2A9
					-	-	-	1	1	-	-	-----	2511561	A3G9, A4A9, A4G4, A4G7, A4G9
					-	1	-	-	-	-	-	-----	-----	C3E, C3E1, C4E, C4E1
	17	L	16584-883-300	SPRING, CONTROL ADJUSTING. ....	1	1	-	1	1	-	-	-----	-----	A1E7, A1E8, A1G7, A1G9, A1W7, A2A9, A2E7, A2E8 A2E9, A2G4, A2G7, A2G9, A3E7, A3E9, A3G9, A3T9 A3W7, A3W8, A4A9, A4G4, A4G7, A4G9, A7E1, A7H1 BHH1, C1E, C1E1, C2E, C2E1, C3E, C3E1, C4E C4E1, E1G7, N1E7, N1R, N1T8, N1T9, N1W7, N1W8 N1W9, N2E7, N2E8, N2E9, N2EE, N3T8, N3T9, N3W8 N3W9, N7A1, S1G4, S2E3, S2G7, S3G9, S4G4, S4G9
					-	-	1	-	-	1	-	-----	-----	A1E7, A2E7, BHH1, C1E, C1E1, C2E, C2E1, C3E C3E1, C4E, C4E1, E2G7, N1R, N7A1, N7S1
					-	-	-	1	-	-	-	-----	3135603	A1G9, A2G4, A2G7, A2G9, A3E7, A3E9, A3G9, A3W8 A4G4, A4G7, A4G9
					-	-	-	-	1	-	-	-----	3135603	A2A9, A4A9
	18	L	16599-ZG1-M10	COLLAR, STOPPER. ....	1	1	-	1	1	-	-	-----	-----	A1E7, A1E8, A1G7, A1G9, A1W7, A2A9, A2E7, A2E8 A2E9, A2G4, A2G7, A2G9, A3E7, A3E9, A3G9, A3T9 A3W7, A3W8, A4A9, A4G4, A4G7, A4G9, A7E1, A7H1 BHH1, C1E, C1E1, C2E, C2E1, C3E, C3E1, C4E C4E1, E1G7, N1E7, N1R, N1T8, N1T9, N1W7, N1W8 N1W9, N2E7, N2E8, N2E9, N2EE, N3T8, N3T9, N3W8 N3W9, N7A1, S1G4, S2E3, S2G7, S3G9, S4G4, S4G9
					-	-	1	-	-	1	-	-----	-----	A1E7, A2E7, BHH1, C1E, C1E1, C2E, C2E1, C3E C3E1, C4E, C4E1, E2G7, N1R, N7A1, N7S1
					-	-	-	1	-	-	-	-----	3135603	A1G9, A2G4, A2G7, A2G9, A3E7, A3E9, A3G9, A3W8 A4G4, A4G7, A4G9
					-	-	-	-	1	-	-	-----	3135603	A2A9, A4A9

NOTE A:PART NO. CHANGE D:NEWLY PROVIDED E:PART NO.DELETION K:REQUIRED NO. CORRECTION L:APPLICATION SERIAL NO. CORRECTION  
T:APPLICATION CORRECTION Z:REMARKS CHANGE

PARTS CATALOGUE NEWS

BOOKNo. : 13ZM00E8

Block No.	Ref. No.	Note	Part No.	Description	Reqd. QTY								Serial No.	Parts catalogue code
					GCV 160	GCV 160 A	GCV 160 AO	GCV 160 E	GCV 160 LE	GCV 160 LA	GCV 160 LAO			
	19	L	90016-ZE7-W00	SCREW, RECESSED, 5X28.....	1	1	-	1	1	-	-	-----	-----	A1E7, A1E8, A1G7, A1G9, A1W7, A2A9, A2E7, A2E8 A2E9, A2G4, A2G7, A2G9, A3E7, A3E9, A3G9, A3T9 A3W7, A3W8, A4A9, A4G4, A4G7, A4G9, A7E1, A7H1 BHH1, C1E, C1E1, C2E, C2E1, C3E, C3E1, C4E C4E1, E1G7, N1E7, N1R, N1T8, N1T9, N1W7, N1W8 N1W9, N2E7, N2E8, N2E9, N2EE, N3T8, N3T9, N3W8 N3W9, N7A1, S1G4, S2E3, S2G7, S3G9, S4G4, S4G9
					-	-	1	-	-	1	-	-----	-----	A1E7, A2E7, BHH1, C1E, C1E1, C2E, C2E1, C3E C3E1, C4E, C4E1, E2G7, N1R, N7A1, N7S1
					-	-	-	1	-	-	-	-----	3135603	A1G9, A2G4, A2G7, A2G9, A3E7, A3E9, A3G9, A3W8 A4G4, A4G7, A4G9
					-	-	-	-	1	-	-	-----	3135603	A2A9, A4A9
	31	D	16580-Z0M-000	BASE COMP., CONTROL.....	-	-	-	1	-	-	-	3135604	-----	A1G9, A2G4, A2G7, A2G9, A3E7, A3E9, A3G9, A3W8 A4G4, A4G7, A4G9
					-	-	-	-	1	-	-	3135604	-----	A2A9, A4A9

NOTE A:PART NO. CHANGE D:NEWLY PROVIDED E:PART NO.DELETION K:REQUIRED NO. CORRECTION L:APPLICATION SERIAL NO. CORRECTION  
T:APPLICATION CORRECTION Z:REMARKS CHANGE



# PARTS CATALOGUE NEWS

Honda Motor Co., Ltd.

Customer Service Technology Development Division

## PARTS CATALOGUE - CORRECTED

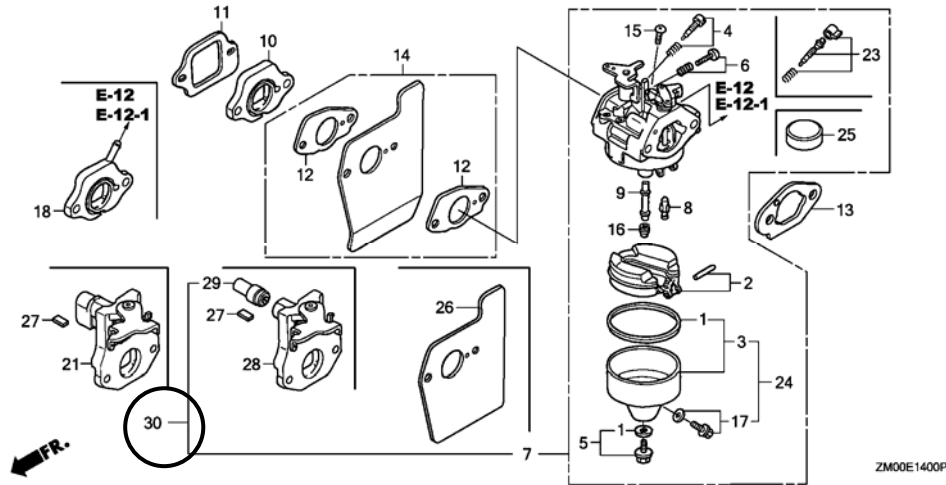
Printed in Japan

CODE NO.	13ZM00E8
PARTS CATALOGUE NEWS	GCV160 GCV160A GCV160A0 GCV160E GCV160LE GCV160LA GCV160LA0
NEWS NO.	034

Block No.	Ref. No.	Note	Part No.	Description	Reqd. QTY								Serial No.	Parts catalogue code
					GCV 160	GCV 160 A	GCV 160 A0	GCV 160 E	GCV 160 LE	GCV 160 LA	GCV 160 LA0			

E-14 CARBURETOR

ILLUSTRATION CRRECTED



E-14	7	T	16100-Z0L-013	CARBURETOR ASSY. (BB62W B).....	-	-	-	-	-	-	-	1	-----	A1A, A2R, BHH, E1A2, N1A
		T			-	-	-	-	-	-	1	7055345	-----	A1A, A2R, BHH, N1A

NOTE A:PART NO. CHANGE D:NEWLY PROVIDED E:PART NO.DELETION K:REQUIRED NO. CORRECTION L:APPLICATION SERIAL NO. CORRECTION  
T:APPLICATION CORRECTION Z:REMARKS CHANGE

PARTS CATALOGUE NEWS

BOOKNo. : 13ZM00E8

Block No.	Ref. No.	Note	Part No.	Description	Reqd. QTY								Serial No.	Parts catalogue code	
					GCV 160	GCV 160 A	GCV 160 AO	GCV 160 E	GCV 160 LE	GCV 160 LA	GCV 160 LAO				
					-	-	1	-	-	-	-	-	-----	-----	A1AW, A1E7, A1M, A2E7, BHH1, C1E, C1E1, C2E C2E1, C3E, C3E1, C4E, C4E1, E2G7, N1L, N1R, N1U N2U, N3U, N3V
					-	1	-	-	-	-	-	-	7055345	-----	A1AW, A1E7, A1M, A2E7, BHH1, C1E, C1E1, C2E C2E1, C3E, C3E1, C4E, C4E1, N1L, N1R, N1U, N2U N3U, N3V
					-	-	-	1	-	-	-	-	2659549	-----	A1G9, A1P, A2G4, A2G7, A2G9, A3E7, A3E9, A3G9 A3T9, A3W7, A3W8, A4G4, A4G7, A4G9, N1J1, N1T9 N1W7, N2E7, N2E8, N3T8, N3W8, N3W9
					-	-	-	-	1	-	-	-	3020071	-----	A2A9, A4A9
					-	-	-	1	-	-	-	-	-----	-----	N2EE
		A	16100-Z0L-875	CARBURETOR ASSY. (BB75E B).....	-	-	1	-	-	-	-	-	1064372	-----	S2G7

NOTE A:PART NO. CHANGE D:NEWLY PROVIDED E:PART NO.DELETION K:REQUIRED NO. CORRECTION L:APPLICATION SERIAL NO. CORRECTION  
T:APPLICATION CORRECTION Z:REMARKS CHANGE



# PARTS CATALOGUE NEWS

Honda Motor Co., Ltd.  
Customer Service Technology Development Division

## PARTS CATALOGUE - CORRECTED

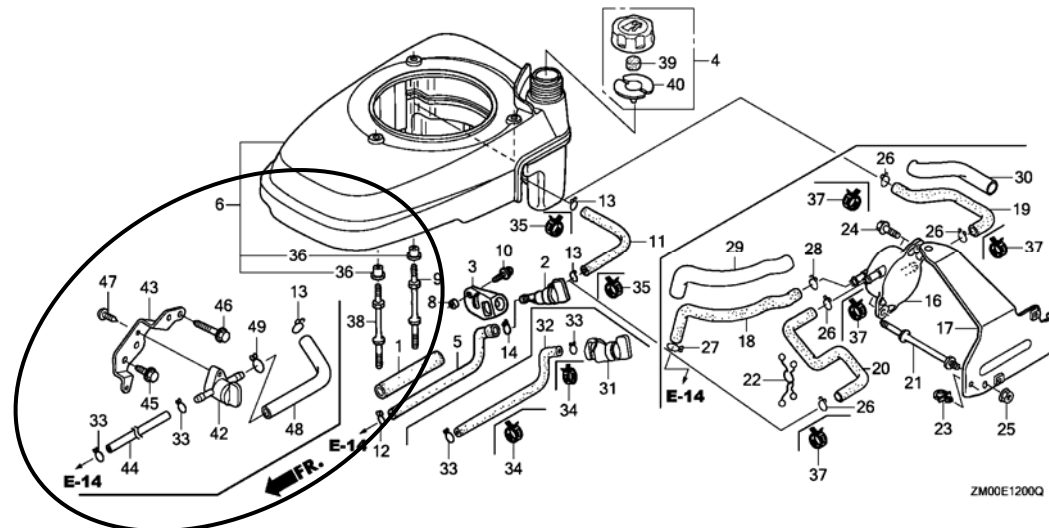
Printed in Japan

CODE NO.	13ZM00E8
PARTS CATALOGUE NEWS	GCV160 GCV160A GCV160A0 GCV160E GCV160LE GCV160LA GCV160LA0
NEWS NO.	035

Block No.	Ref. No.	Note	Part No.	Description	Reqd. QTY								Serial No.	Parts catalogue code
					GCV 160	GCV 160 A	GCV 160 A0	GCV 160 E	GCV 160 LE	GCV 160 LA	GCV 160 LA0			

### E-12 FAN COVER(1)

Ref. No.	(Relative ref. Number)	Description	FRT
2	(31, 42)		
3101A3		COCK, FUEL .....	0.1
5	(32, 44)		
3101V5		TUBE, FUEL (FUEL COCK-CARBURETOR) .....	0.2
11	(48)		
3101F1		TUBE, FUEL TANK .....	0.2



NOTE A:PART NO. CHANGE D:NEWLY PROVIDED E:PART NO.DELETION K:REQUIRED NO. CORRECTION L:APPLICATION SERIAL NO. CORRECTION  
T:APPLICATION CORRECTION Z:REMARKS CHANGE



PARTS CATALOGUE NEWS

BOOKNo. : 13ZM00E8

Block No.	Ref. No.	Note	Part No.	Description	Reqd. QTY							Serial No.	Parts catalogue code	
					GCV 160	GCV 160 A	GCV 160 AO	GCV 160 E	GCV 160 LE	GCV 160 LA	GCV 160 LAO			
E-12	8	L	33609-GK4-620	COLLAR, FR. WINKER.....	1	1	-	1	-	-	-	-----	-----	A1A, A1AS, A1AW, A1C, A1E, A1E7, A1E8, A1G7, A1G9 A1J, A1M, A1P, A1U, A1W2, A1W7, A2A, A2A9, A2C, A2E, A2E4, A2E7, A2E8, A2E9, A2G4, A2G7, A2G9, A2R, A2U, A3E, A3E7, A3E9, A3G9, A3T9, A3W7, A3W8 A4E, A4G4, A4G7, A4G9, A7E1, A7Q1, BHH, BHH1, E1G7, E2G7, EHHB, N1, N1A, N1C, N1D, N1E1, N1E2, N1E7, N1J1, N1L, N1R, N1T8, N1T9, N1U, N1W, N1W1, N1W2, N1W7, N1W8, N1W9, N2, N2D, N2E, N2E1, N2E2, N2E3, N2E7, N2E8, N2E9, N2EE, N2U, N3T8, N3T9, N3U, N3V, N3W8, N3W9, N5A, N5C, N7A1, N7S1, NBL1, S1G4, S2E, S2E3, S2G7, S3G9, S4G4, S4G9,
					-	-	1	-	-	-	-	-----	-----	A1E7, A2E7, BHH1, E2G7, N1L, N1R, S2G7
	-	-	-	1	-	-	-	-----	3176791	S1E1, S2E1, S2E2, S3E9, S4E4, S4E9				
	-	-	-	2	2	2	-	-	-	-----	-----	A1A, A1AE, A1AF, A1AS, A1AW, A1C, A1E, A1E7 A1E8, A1G7, A1J, A1M, A1P, A1U, A1W2, A1W7, A2A A2C, A2E, A2E4, A2E7, A2E8, A2E9, A2G7, A2R A2U, A3A, A3E, A4E, A7E1, BHH, BHH1, C1E, C1E1 C2E, C2E1, C3E, C3E1, C4E, C4E1, E1A2, E1A4 E1G7, E2G7, E5A4, EHHB, N1, N1A, N1AF, N1C, N1D N1E1, N1E2, N1E7, N1J1, N1L, N1R, N1U, N1W N1W1, N1W2, N1W7, N1W8, N1W9, N2, N2D, N2E N2E1, N2E2, N2E3, N2E7, N2E8, N2E9, N2U, N3U N3V, N5A, N5AF, N5C, N5MF, N5R, N7A1, N7S1 NBL1, R1A, R3A, R3A1, RTL1, S1A, S1A1, S1M S2G7, S3A, S3A2, S3H, S3H2, STA1, STL1		
9	L	90043-ZL8-000	BOLT, STUD (H=42.5MM).....	-	-	-	2	-	-	-	-----	-----	A1E7, A1E8, A1G7, A1W7, A2A9, A2E7, A2E8, A2E9 A2R, N1D, N1E1, N1E2, N1E7, N1R, N1T8, N1W8 N1W9, N2E9, N3T9, N7A1, S2E	
				-	-	-	2	-	-	-	-----	3176791	A1G9, A1P, A2G4, A2G7, A2G9, A3E7, A3E9, A3G9 A3T9, A3W7, A3W8, A4G4, A4G7, A4G9, A7E1, N1J1 N1T9, N1W7, N2E7, N2E8, N2EE, N3T8, N3W8, N3W9 S1E1, S1G4, S2E1, S2E2, S2E3, S3E9, S3G9, S4E4 S4E9, S4G4, S4G9	
	T	90041-Z1L-000	BOLT, STUD.....	-	-	-	2	-	-	-	-----	-----	A7Q1	
	-	-	-	2	-	-	-	3176792	-----	A1G9, A1P, A2G4, A2G7, A2G9, A3E7, A3E9, A3G9 A3T9, A3W7, A3W8, A4G4, A4G7, A4G9, A7E1, N1J1 N1T9, N1W7, N2E7, N2E8, N2EE, N3T8, N3W8, N3W9 S1E1, S1G4, S2E1, S2E2, S2E3, S3E9, S3G9, S4E4 S4E9, S4G4, S4G9				

NOTE A:PART NO. CHANGE D:NEWLY PROVIDED E:PART NO.DELETION K:REQUIRED NO. CORRECTION L:APPLICATION SERIAL NO. CORRECTION  
T:APPLICATION CORRECTION Z:REMARKS CHANGE

PARTS CATALOGUE NEWS

BOOKNo. : 13ZM00E8

Block No.	Ref. No.	Note	Part No.	Description	Reqd. QTY								Serial No.	Parts catalogue code	
					GCV 160	GCV 160 A	GCV 160 AO	GCV 160 E	GCV 160 LE	GCV 160 LA	GCV 160 LAO				
	10	L	93891-05010-08	SCREW-WASHER, 5X10	1	1	1	1	-	-	-	-	-	-	A1A, A1AE, A1AF, A1AS, A1AW, A1C, A1E, A1E7, A1E8, A1G7, A1G9, A1J, A1M, A1P, A1U, A1W2, A1W7, A2A, A2A9, A2C, A2E, A2E4, A2E7, A2E8, A2E9, A2G4, A2G7, A2G9, A2R, A2U, A3A, A3E, A3E7, A3E9, A3G9, A3T9, A3W7, A3W8, A4E, A4G4, A4G7, A4G9, A7E1, A7Q1, BHH, BHH1, C1E, C1E1, C2E, C2E1, C3E, C3E1, C4E, C4E1, E1A2, E1A4, E1G7, E2G7, E5A4, EHHB, N1, N1A, N1AF, N1C, N1D, N1E1, N1E2, N1E7, N1J1, N1L, N1R, N1T8, N1T9, N1U, N1W, N1W1, N1W2, N1W7, N1W8, N1W9, N2, N2D, N2E, N2E1, N2E2, N2E3, N2E7, N2E8, N2E9, N2EE, N2U, N3T8, N3T9, N3U, N3V, N3W8, N3W9, N5A, N5AF, N5C, N5MF, N5R, N7A1, N7S1, NBL1, R1A, R3A, R3A1, RTL1, S1A, S1A1, S1G4, S1M, S2E, S2E3, S2G7, S3A, S3A2, S3G9, S3H, S3H2, S4G4, S4G9, STA1, STL1
					-	-	-	1	-	-	-	-	3176791	S1E1, S2E1, S2E2, S3E9, S4E4, S4E9	
	11	L	95001-55150-40	TUBE, FUEL, 5. 3X150 (95001-55001-60M)	1	-	-	-	-	-	-	-	-	A1A, A1C, A1E, A1E7, A1E8, A1G7, A1J, A1P, A1U, A1W2, A1W7, A2A, A2C, A2E, A2E4, A2E7, A2E8, A2E9, A2G7, A2R, A2U, A3E, A4E, N1, N1D, N1E1, N1E2, N1E7, N1J1, N1R, N1U, N1W, N1W1, N1W2, N1W7, N1W8, N1W9, N2, N2D, N2E, N2E1, N2E2, N2E3, N2E7, N2E8, N2E9, N2U, N3U, N3V	
					-	1	-	-	-	-	-	-	-	A1E, A1M, A3E, C1E, C1E1, C2E, C2E1, C3E, C3E1, C4E, C4E1, E1A2, E1A4, E1G7, E2G7, E5A4, EHHB, N1E1, N1L, N1R, N3U, S2G7, S3H2	
					-	1	-	-	-	-	-	-	3698326	NBL1	
					-	1	-	-	-	-	-	-	4030139	RTL1, STL1	
					-	1	-	-	-	-	-	-	4803407	S3A2, S3H	
					-	1	-	-	-	-	-	-	8020871	R1A, R3A, R3A1	
					-	1	-	-	-	-	-	-	2510375	A1E7, A1E8, A1W7, A2E7, A2E8, A2E9, A2G7, N1E7, N1U, N1W7, N1W8, N1W9, N2E7, N2E8, N2E9, N2U, N3V	
					-	1	-	-	-	-	-	-	2510375	3698326	A1A, A1AS, A1C, A2A, A2C, A2R, BHH, N1A, N1C, N5A, N5C
					-	1	-	-	-	-	-	-	2510375	4030139	S1A, S1A1, S3A, STA1
					-	1	-	-	-	-	-	-	2510375	4062255	A1AE, A1AF, A3A, N1AF, N5AF

NOTE A:PART NO. CHANGE D:NEWLY PROVIDED E:PART NO.DELETION K:REQUIRED NO. CORRECTION L:APPLICATION SERIAL NO. CORRECTION  
T:APPLICATION CORRECTION Z:REMARKS CHANGE

PARTS CATALOGUE NEWS

BOOKNo. : 13ZM00E8

Block No.	Ref. No.	Note	Part No.	Description	Reqd. QTY								Serial No.	Parts catalogue code	
					GCV 160	GCV 160 A	GCV 160 AO	GCV 160 E	GCV 160 LE	GCV 160 LA	GCV 160 LAO				
					-	-	1	1	-	-	-	-	-----	-----	A1E7, A1E8, A1G7, A1G9, A1M, A1P, A1W7, A2A9 A2E7, A2E8, A2E9, A2G4, A2G7, A2G9, A3E7, A3E9 A3G9, A3T9, A3W7, A3W8, A4G4, A4G7, A4G9, C1E C1E1, C2E, C2E1, C3E, C3E1, C4E, C4E1, E2G7 N1D, N1E1, N1E2, N1E7, N1J1, N1L, N1R, N1T8 N1T9, N1U, N1W7, N1W8, N1W9, N2E7, N2E8, N2E9 N2EE, N2U, N3T8, N3T9, N3U, N3V, N3W8, N3W9 S1G4, S2E, S2E3, S2G7, S3G9, S3H2, S4G4, S4G9
					-	-	-	1	-	-	-	-	-----	2075802	A2R
					-	-	-	1	-	-	-	-	-----	3176791	S1E1, S2E1, S2E2, S3E9, S4E4, S4E9
	13	K	95002-02100	CLIP, TUBE (B10).....	2	-	2	-	-	-	-	-	-----	-----	A1A, A1C, A1E, A1E7, A1E8, A1G7, A1J, A1M, A1P A1U, A1W2, A1W7, A2A, A2C, A2E, A2E4, A2E7 A2E8, A2E9, A2G7, A2R, A2U, A3E, A4E, C1E, C1E1 C2E, C2E1, C3E, C3E1, C4E, C4E1, E2G7, N1, N1D N1E1, N1E2, N1E7, N1J1, N1L, N1R, N1U, N1W N1W1, N1W2, N1W7, N1W8, N1W9, N2, N2D, N2E N2E1, N2E2, N2E3, N2E7, N2E8, N2E9, N2U, N3U N3V, S2G7, S3H2
					-	2	-	2	-	-	-	-	-----	-----	A1E, A1E7, A1E8, A1G7, A1G9, A1M, A1P, A1W7, A2A9 A2E7, A2E8, A2E9, A2G4, A2G7, A2G9, A3E, A3E7, A3E9, A3G9, A3T9, A3W7, A3W8, A4G4, A4G7, A4G9, C1E, C1E1, C2E, C2E1, C3E, C3E1, C4E, C4E1, E1A2, E1A4, E1G7, E2G7, E5A4, EHHB, N1D, N1E1, N1E2, N1E7, N1J1, N1L, N1R, N1T8, N1T9, N1U, N1W7, N1W8 N1W9, N2E7, N2E8, N2E9, N2EE, N2U, N3T8, N3T9, N3U, N3V, N3W8, N3W9, S1G4, S2E, S2E3, S2G7, S3G9 S3H2, S4G4, S4G9
					-	2	-	-	-	-	-	-	-----	3698326	A1A, A1AS, A1C, A2A, A2C, A2R, BHH, N1A, N1C N5A, N5C, NBL1
					-	2	-	-	-	-	-	-	-----	4030139	RTL1, S1A, S1A1, S3A, STA1, STL1
					-	2	-	-	-	-	-	-	-----	4062255	A1AE, A1AF, A3A, N1AF, N5AF
					-	2	-	-	-	-	-	-	-----	4803407	S3A2, S3H
					-	2	-	-	-	-	-	-	-----	8020871	R1A, R3A, R3A1
					-	-	-	2	-	-	-	-	-----	2075802	A2R
					-	-	-	2	-	-	-	-	-----	3176791	S1E1, S2E1, S2E2, S3E9, S4E4, S4E9
					-	-	-	1	-	-	-	-	-----	3176792	S1E1, S2E1, S2E2, S3E9, S4E4, S4E9

NOTE A:PART NO. CHANGE D:NEWLY PROVIDED E:PART NO.DELETION K:REQUIRED NO. CORRECTION L:APPLICATION SERIAL NO. CORRECTION  
T:APPLICATION CORRECTION Z:REMARKS CHANGE

PARTS CATALOGUE NEWS

BOOKNo. : 13ZM00E8

Block No.	Ref. No.	Note	Part No.	Description	Reqd. QTY								Serial No.	Parts catalogue code	
					GCV 160	GCV 160 A	GCV 160 AO	GCV 160 E	GCV 160 LE	GCV 160 LA	GCV 160 LAO				
	31	L	16950-ZMO-003	COCK ASSY., FUEL.....	1	-	-	-	-	-	-	-	-----	-----	N1J1
					1	-	-	-	-	-	-	-	2439089	-----	A1A, A1C, A1E, A1E7, A1E8, A1G7, A1P, A1W2 A1W7, A2A, A2C, A2E, A2E4, A2E7, A2E8, A2E9 A2G7, A2R, A3E, A7E1, N1, N1D, N1E1, N1E2, N1E7 N1R, N1U, N1W, N1W1, N1W2, N1W7, N1W8, N1W9, N2 N2E, N2E1, N2E3, N2E7, N2E8, N2E9, N2U, N3U N3V, N7A1
					-	1	-	-	-	-	-	-	-----	-----	A1AW, A1E, A1M, A3E, BHH1, C1E, C1E1, C2E, C2E1, C3E, C3E1, C4E, C4E1, E1A2, E1A4, E1G7, E2G7, E5A4, EHHB, N1E1, N1L, N1R, N3U, N5MF, N5R, N7S1, NBL1, R1A, R3A, R3A1, RTL1, S1M, S2G7, S3A2, S3H, S3H2, STL1
					-	1	-	-	-	-	-	-	2510375	-----	A1A, A1AE, A1AF, A1AS, A1C, A1E7, A1E8, A1W7, A2A A2C, A2E7, A2E8, A2E9, A2G7, A2R, A3A, A7E1, BHH, N1A, N1AF, N1C, N1E7, N1U, N1W7, N1W8, N1W9, N2E7 N2E8, N2E9, N2U, N3V, N5A, N5AF, N5C, N7A1, S1A, S1A1, S3A, STA1
					-	-	1	-	-	-	-	-	-----	-----	A1AW, A1E7, A1M, A2E7, BHH1, C1E, C1E1, C2E, C2E1 C3E, C3E1, C4E, C4E1, E2G7, N1L, N1R, N1U, N2U, N3U, N3V, S2G7, S3H2,
					-	-	-	1	-	-	-	-	-----	-----	A1G9, A1P, A2A9, A2G4, A2R, A3E7, A3E9, A3G9, A3T9, A3W7, A3W8, A4G4, A4G7, A4G9, A7Q1, N1D, N1E1, N1E2, N1J1, N1R, N1T8, N1T9, N2EE, N3T8, N3T9, N3W8, N3W9, S1G4, S2E3, S3G9, S4G4, S4G9
					-	-	-	1	-	-	-	-	-----	3176791	S1E1, S2E1, S2E2, S3E9, S4E4, S4E9
					-	-	-	1	-	-	-	-	1197182	-----	A1E7, A1E8, A1G7, A1W7, A2E7, A2E8, A2E9, A2G7, A2G9, A7E1, N1E7, N1W7, N1W8, N1W9, N2E7, N2E8, N2E9, N7A1, S2E,
					-	-	-	1	-	-	-	-	1197182	3176791	S2E1
	32	L	17702-ZMO-800	TUBE, FUEL.....	1	-	-	-	-	-	-	-	-----	-----	N1J1
					1	-	-	-	-	-	-	-	2439089	-----	A1A, A1C, A1E, A1E7, A1E8, A1G7, A1P, A1W2 A1W7, A2A, A2C, A2E, A2E4, A2E7, A2E8, A2E9 A2G7, A2R, A3E, A7E1, N1, N1D, N1E1, N1E2, N1E7 N1R, N1U, N1W, N1W1, N1W2, N1W7, N1W8, N1W9, N2 N2E, N2E1, N2E3, N2E7, N2E8, N2E9, N2U, N3U N3V, N7A1

NOTE A:PART NO. CHANGE D:NEWLY PROVIDED E:PART NO.DELETION K:REQUIRED NO. CORRECTION L:APPLICATION SERIAL NO. CORRECTION  
T:APPLICATION CORRECTION Z:REMARKS CHANGE

PARTS CATALOGUE NEWS

BOOKNo. : 13ZM00E8

Block No.	Ref. No.	Note	Part No.	Description	Reqd. QTY							Serial No.	Parts catalogue code		
					GCV 160	GCV 160 A	GCV 160 AO	GCV 160 E	GCV 160 LE	GCV 160 LA	GCV 160 LAO				
					-	1	-	-	-	-	-	-	-----	-----	A1E, A1M, A3E, C1E, C1E1, C2E, C2E1, C3E, C3E1 C4E, C4E1, E1A2, E1A4, E1G7, E2G7, E5A4, EHNB N1E1, N1L, N1R, N3U, N7S1, S2G7, S3H2
					-	1	-	-	-	-	-	-	-----	3698326	NBL1
					-	1	-	-	-	-	-	-	-----	4030139	RTL1, STL1
					-	1	-	-	-	-	-	-	-----	4803407	S3A2, S3H
					-	1	-	-	-	-	-	-	-----	8020871	R1A, R3A, R3A1
					-	1	-	-	-	-	-	-	2510375	-----	A1E7, A1E8, A1W7, A2E7, A2E8, A2E9, A2G7, A7E1 N1E7, N1U, N1W7, N1W8, N1W9, N2E7, N2E8, N2E9 N2U, N3V
					-	1	-	-	-	-	-	-	2510375	3698326	A1A, A1AS, A1C, A2A, A2C, A2R, BHH, N1A, N1C N5A, N5C
					-	1	-	-	-	-	-	-	2510375	4029852	N7A1
					-	1	-	-	-	-	-	-	2510375	4030139	S1A, S1A1, S3A, STA1
					-	1	-	-	-	-	-	-	2510375	4062255	A1AE, A1AF, A3A, N1AF, N5AF
					-	-	1	-	-	-	-	-	-----	-----	A1E7, A1M, A2E7, C1E, C1E1, C2E, C2E1, C3E C3E1, C4E, C4E1, E2G7, N1L, N1R, N1U, N2U, N3U N3V, S2G7, S3H2
					-	-	-	1	-	-	-	-	-----	-----	A1G9, A1P, A2G4, A3E7, A3E9, A3G9, A3T9, A3W7 A3W8, A4G4, A4G7, A4G9, A7Q1, N1D, N1E1, N1E2 N1J1, N1R, N1T8, N1T9, N2EE, N3T8, N3T9, N3W8 N3W9, S1E1, S1G4, S2E2, S2E3, S3E9, S3G9, S4E4 S4E9, S4G4, S4G9
					-	-	-	1	-	-	-	-	-----	1762462	A2A9, A2R
					-	-	-	1	-	-	-	-	-----	3176791	S1E1, S2E1, S2E2, S3E9, S4E4, S4E9
					-	-	-	1	-	-	-	-	1197182	-----	A1E7, A1E8, A1G7, A1W7, A2E7, A2E8, A2E9, A2G7 A2G9, A7E1, N1E7, N1W7, N1W8, N1W9, N2E7, N2E8 N2E9, S2E
					-	-	-	1	-	-	-	-	1197182	1762462	N7A1
					-	-	-	1	-	-	-	-	1197182	3176791	S2E1

NOTE A:PART NO. CHANGE D:NEWLY PROVIDED E:PART NO.DELETION K:REQUIRED NO. CORRECTION L:APPLICATION SERIAL NO. CORRECTION  
T:APPLICATION CORRECTION Z:REMARKS CHANGE

PARTS CATALOGUE NEWS

BOOKNo. : 13ZM00E8

Block No.	Ref. No.	Note	Part No.	Description	Reqd. QTY							Serial No.	Parts catalogue code		
					GCV 160	GCV 160 A	GCV 160 AO	GCV 160 E	GCV 160 LE	GCV 160 LA	GCV 160 LAO				
	38	L	90043-ZL8-000	BOLT, STUD (H=42.5MM).....	1	1	-	-	-	-	-	-	-----	-----	A1A, A1AE, A1AF, A1AS, A1AW, A1C, A1E, A1E7 A1E8, A1G7, A1J, A1M, A1P, A1U, A1W2, A1W7, A2A A2C, A2E, A2E4, A2E7, A2E8, A2E9, A2G7, A2R A2U, A3A, A3E, A4E, A7E1, BHH, BHH1, E1A2, E1A4 E1G7, E2G7, E5A4, EHHB, N1, N1A, N1AF, N1C, N1D N1E1, N1E2, N1E7, N1J1, N1L, N1R, N1U, N1W N1W1, N1W2, N1W7, N1W8, N1W9, N2, N2D, N2E N2E1, N2E2, N2E3, N2E7, N2E8, N2E9, N2U, N3U N3V, N5A, N5AF, N5C, N5MF, N5R, N7A1, N7S1 NBL1, R1A, R3A, R3A1, RTL1, S1A, S1A1, S1M S2G7, S3A, S3A2, S3H, S3H2, STA1, STL1
					-	-	1	1	-	-	-	-----	-----	A1AW, A1E7, A1E8, A1G7, A1M, A1W7, A2A9, A2E7 A2E8, A2E9, A2R, E2G7, N1D, N1E1, N1E2, N1E7 N1R, N1T8, N1U, N1W8, N1W9, N2E9, N2U, N3T9 N3U, N3V, N7A1, S2E, S2G7, S3H2	
					-	-	-	1	-	-	-	-----	3176791	A1G9, A1P, A2G4, A2G7, A2G9, A3E7, A3E9, A3G9 A3T9, A3W7, A3W8, A4G4, A4G7, A4G9, A7E1, N1J1 N1T9, N1W7, N2E7, N2E8, N2EE, N3T8, N3W8, N3W9 S1E1, S1G4, S2E1, S2E2, S2E3, S3E9, S3G9, S4E4 S4E9, S4G4, S4G9	
	38	T	90041-Z1L-000	BOLT, STUD.....	-	-	-	1	-	-	-	-----	-----	A7Q1	
					-	-	-	1	-	-	-	-----	3176792	-----	A1G9, A1P, A2G4, A2G7, A2G9, A3E7, A3E9, A3G9 A3T9, A3W7, A3W8, A4G4, A4G7, A4G9, A7E1, N1J1 N1T9, N1W7, N2E7, N2E8, N2EE, N3T8, N3W8, N3W9 S1E1, S1G4, S2E1, S2E2, S2E3, S3E9, S3G9, S4E4 S4E9, S4G4, S4G9
	42	D	16950-ZOY-003	COCK ASSY., FUEL.....	-	-	-	1	-	-	-	3176792	-----	S1E1, S2E1, S2E2, S3E9, S4E4, S4E9	
	43	D	16961-ZOM-000	STAY, FUEL COCK.....	-	-	-	1	-	-	-	3176792	-----	S1E1, S2E1, S2E2, S3E9, S4E4, S4E9	
	44	D	17701-ZOY-M50	TUBE, FUEL TANK.....	-	-	-	1	-	-	-	3176792	-----	S1E1, S2E1, S2E2, S3E9, S4E4, S4E9	
	45	D	90013-883-000	BOLT, FLANGE, 6X12 (CT200).....	-	-	-	1	-	-	-	3176792	-----	S1E1, S2E1, S2E2, S3E9, S4E4, S4E9	
	46	D	90015-883-000	BOLT, FLANGE, 6X28 (CT200).....	-	-	-	1	-	-	-	3176792	-----	S1E1, S2E1, S2E2, S3E9, S4E4, S4E9	
	47	D	93913-25220	SCREW, TAPPING, 5X12 (P0).....	-	-	-	1	-	-	-	3176792	-----	S1E1, S2E1, S2E2, S3E9, S4E4, S4E9	
	48	D	95001-45110-40	TUBE, FUEL, 4.5X110 (95001-45001-60M)	-	-	-	1	-	-	-	3176792	-----	S1E1, S2E1, S2E2, S3E9, S4E4, S4E9	
	49	D	95002-02120	CLIP, TUBE (B12).....	-	-	-	1	-	-	-	3176792	-----	S1E1, S2E1, S2E2, S3E9, S4E4, S4E9	

NOTE A:PART NO. CHANGE D:NEWLY PROVIDED E:PART NO.DELETION K:REQUIRED NO. CORRECTION L:APPLICATION SERIAL NO. CORRECTION  
T:APPLICATION CORRECTION Z:REMARKS CHANGE

PARTS CATALOGUE NEWS

BOOKNo. : 13ZM00E8

Block No.	Ref. No.	Note	Part No.	Description	Reqd. QTY								Serial No.	Parts catalogue code
					GCV 160	GCV 160 A	GCV 160 AO	GCV 160 E	GCV 160 LE	GCV 160 LA	GCV 160 LAO			
E-12-1	3	L	16854-ZH8-000	RUBBER, SUPPORTER (107MM).....	-	-	1	-	1	1	-	-----	-----	A1A, A1AF, A2A9, A2R, A4A9, A7H1, BHH, E1A2 N1A, N1AF, N5AF, N5MF, N5R, N5RE, N7A1, N7S1
					-	-	-	-	-	1	-	-----	6901760	S1A, S1M, S3A, S3H
					-	-	-	-	-	1	-	-----	8028729	R3A
					-	-	-	-	-	-	1	-----	-----	A1A, A1AF, A2R, BHH, E1A2, N1A, N7A1, N7S1
					-	-	-	-	-	-	1	-----	1854820	N1AF, N5AF, N5MF, N5R, N5RB
					-	-	-	-	-	-	-	-----	-----	-----
	5	L	16950-ZM0-003	COCK ASSY., FUEL.....	-	-	1	-	1	1	-	-----	-----	A1A, A1AF, A2A9, A2R, A4A9, A7H1, BHH, E1A2 N1A, N1AF, N5AF, N5MF, N5R, N5RE, N7A1, N7S1
					-	-	-	-	-	1	-	-----	6901760	S1A, S1M, S3A, S3H
					-	-	-	-	-	1	-	-----	8028729	R3A
					-	-	-	-	-	-	1	-----	-----	A1A, A1AF, A2R, BHH, E1A2, N1A, N7A1, N7S1
					-	-	-	-	-	-	1	-----	1854820	N1AF, N5AF, N5MF, N5R, N5RB
					-	-	-	-	-	-	-	-----	-----	-----
18	L	17701-Z8B-811	TUBE, FUEL TANK (FKM).....	-	-	1	-	-	-	1	-----	-----	A1A, A1AF, A2R, BHH, E1A2, N1A, N5RE	
				-	-	-	-	-	-	1	-----	1854820	N1AF, N5AF, N5MF, N5R, N5RB	
				-	-	-	-	-	-	-	-----	-----	-----	
				-	-	-	-	-	-	-	-----	-----	-----	
19	L	17702-Z8B-801	TUBE, FUEL (FKM).....	-	-	1	-	-	-	1	-----	-----	A1A, A1AF, A2R, BHH, E1A2, N1A, N5RE, N7A1, N7S1	
				-	-	-	-	-	-	1	-----	1854820	N1AF, N5AF, N5MF, N5R, N5RB	
				-	-	-	-	-	-	-	-----	-----	-----	
				-	-	-	-	-	-	-	-----	-----	-----	
23	L	91501-ZOL-800	COLLAR, FUEL COCK.....	-	-	1	-	-	1	-	-----	-----	A1A, A1AF, BHH, E1A2, N1AF, N5AF, N5MF, N5R N5RE	
				-	-	-	-	-	1	-	-----	6901760	S1A, S1M, S3A, S3H	
				-	-	-	-	-	1	-	-----	8028729	R3A	
				-	-	-	-	-	-	1	-----	-----	A1A, A1AF, BHH, E1A2	
				-	-	-	-	-	-	1	-----	1854820	N1AF, N5AF, N5MF, N5R, N5RB	
				-	-	-	-	-	-	-	-----	-----	-----	
31	L	93891-05010-08	SCREW-WASHER, 5X10.....	-	-	1	-	1	1	-	-----	-----	A1A, A1AF, A2A9, A2R, A4A9, A7H1, BHH, E1A2 N1A, N1AF, N5AF, N5MF, N5R, N5RE, N7A1, N7S1	
				-	-	-	-	-	1	-	-----	6901760	S1A, S1M, S3A, S3H	
				-	-	-	-	-	1	-	-----	8028729	R3A	
				-	-	-	-	-	-	-	-----	-----	-----	

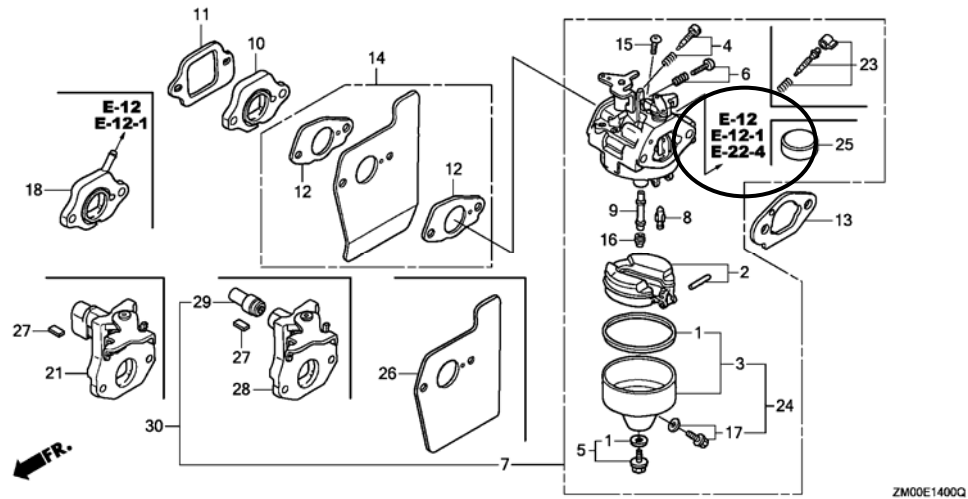
NOTE A:PART NO. CHANGE D:NEWLY PROVIDED E:PART NO.DELETION K:REQUIRED NO. CORRECTION L:APPLICATION SERIAL NO. CORRECTION  
T:APPLICATION CORRECTION Z:REMARKS CHANGE

PARTS CATALOGUE NEWS

BOOKNo. : 13ZM00E8

Block No.	Ref. No.	Note	Part No.	Description	Reqd. QTY								Serial No.	Parts catalogue code
					GCV 160	GCV 160 A	GCV 160 AO	GCV 160 E	GCV 160 LE	GCV 160 LA	GCV 160 LAO			
		L	93891-05010-08	.....	-	-	-	-	-	-	-	1	-----	A1A, A1AF, A2R, BHH, E1A2, N1A, N7A1, N7S1
					-	-	-	-	-	-	-	1	----- 1854820	N1AF, N5AF, N5MF, N5R, N5RB
	40	L	95002-40800-08	CLAMP, TUBE (D8).....	-	-	2	-	-	-	-	2	-----	A1A, A1AF, A2R, BHH, E1A2, N1A, N7A1, N7S1, R3A S1A, S1M, S3A, S3H, S3T, S3TE, SBT
					-	-	-	-	-	-	-	2	----- 1854820	N1AF, N5AF, N5MF, N5R, N5RB
	48	L	19617-ZOY-300	RUBBER, FAN COVER.....	-	-	-	-	-	1	-	-	-----	N1A
					-	-	-	-	-	-	-	1	----- 1134535	N1A

E-14 CARBURETOR



E-14	7	L	16100-ZOL-013	CARBURETOR ASSY. (BB62W B).....	-	1	-	-	-	-	-	-	7055345	A1AW, A1E7, A1M, A2E7, BHH1, C1E, C1E1, C2E C2E1, C3E, C3E1, C4E, C4E1, N1L, N1R, N1U, N2U N3U, N3V
					-	-	1	-	-	-	-	1	-----	A1A, A1AW, A1E7, A1M, A2E7, A2R, BHH, BHH1, C1E C1E1, C2E, C2E1, C3E, C3E1, C4E, C4E1, E1A2 E2G7, N1A, N1L, N1R, N1U, N2U, N3U, N3V
					-	-	-	1	-	-	-	-	----- 3273291	N2EE

NOTE A:PART NO. CHANGE D:NEWLY PROVIDED E:PART NO.DELETION K:REQUIRED NO. CORRECTION L:APPLICATION SERIAL NO. CORRECTION T:APPLICATION CORRECTION Z:REMARKS CHANGE



PARTS CATALOGUE NEWS

BOOKNo. : 13ZM00E8

Block No.	Ref. No.	Note	Part No.	Description	Reqd. QTY							Serial No.	Parts catalogue code
					GCV 160	GCV 160 A	GCV 160 AO	GCV 160 E	GCV 160 LE	GCV 160 LA	GCV 160 LAO		
					-	-	-	1	-	-	-	2659549 3273291	A1G9, A1P, A2G4, A2G7, A2G9, A3E7, A3E9, A3G9 A3T9, A3W7, A3W8, A4G4, A4G7, A4G9, N1J1, N1T9 N1W7, N2E7, N2E8, N3T8, N3W8, N3W9
					-	-	-	-	1	-	-	3020071 3273291	A2A9, A4A9
					-	-	-	-	-	1	-	7055345 -----	A1A, A2R, BHH, N1A
		A	16100-Z0L-023	CARBURETOR ASSY. (BB62W C).....	-	-	-	1	-	-	-	3273292 -----	A1G9, A1P, A2G4, A2G7, A2G9, A3E7, A3E9, A3G9 A3T9, A3W7, A3W8, A4G4, A4G7, A4G9, N1J1, N1T9 N1W7, N2E7, N2E8, N2EE, N3T8, N3W8, N3W9
					-	-	-	-	1	-	-	3273292 -----	A2A9, A4A9
		L	16100-Z0L-862	CARBURETOR ASSY. (BB65A B).....	-	-	1	-	-	-	-	-----	N5RE
					-	-	-	-	-	1	-	7065312 -----	A1AF, N1AF, N5AF, N5MF, N5R
					-	-	-	-	-	-	1	-----	1854820 A1AF, N1AF, N5AF, N5MF, N5R, N5RB
		A	16100-Z0L-863	.....	-	-	-	-	-	-	1	1854821 -----	A1AF, N1AF, N5AF, N5MF, N5R, N5RB
	18	L	16210-Z0M-780	INSULATOR COMP., CARBURETOR...	1	1	-	1	1	1	-	-----	A7E1, A7H1, A7Q1, N7A1, N7S1
					-	-	-	-	-	-	1	-----	1854820 N7A1, N7S1
		A	16211-Z8D-800	INSULATOR, CARBURETOR.....	-	-	-	-	-	-	1	1854821 -----	N7A1, N7S1

NOTE A:PART NO. CHANGE D:NEWLY PROVIDED E:PART NO.DELETION K:REQUIRED NO. CORRECTION L:APPLICATION SERIAL NO. CORRECTION  
T:APPLICATION CORRECTION Z:REMARKS CHANGE

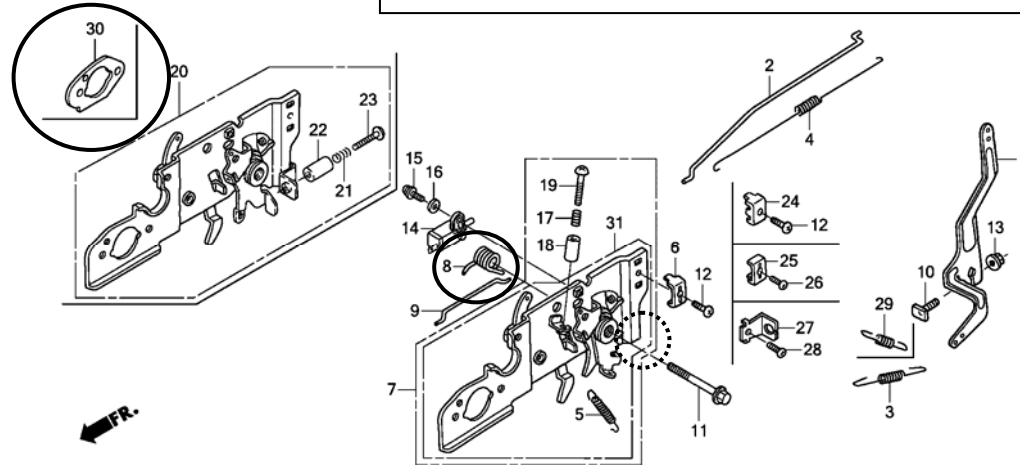
BOOKNo. : 13ZM00E8

Block No.	Ref. No.	Note	Part No.	Description	Reqd. QTY								Serial No.	Parts catalogue code
					GCV 160	GCV 160 A	GCV 160 AO	GCV 160 E	GCV 160 LE	GCV 160 LA	GCV 160 LAO			

E-22 CONTROL (1)

Ref. No.	(Relative ref. Number)	Description	FRT
30	3111D9	SPACER, CARBURETOR .....	0.2

**ILLSTRATION CORRECT AND NEWLY PROVIDED**



ZM00E2200K

E-22	11	L	90016-ZM0-000	BOLT, FLANGE, 6X45(CT200).....	1	1	1	1	1	1	1	-----	-----	A1A, A1AS, A1AW, A1C, A1E, A1E7, A1E8, A1G7, A1G9, A1J, A1M, A1P, A1U, A1W2, A1W7, A2A, A2A9, A2C, A2E, A2E4, A2E7, A2E8, A2E9, A2G4, A2G7, A2G9, A2U, A3E, A3E7, A3E9, A3G9, A3T9, A3W7, A3W8, A4A9, A4E, A4G4, A4G7, A4G9, A7E1, A7H1, A7Q1, BHH, BHH1, C1E, C1E1, C2E, C2E1, C3E, C3E1, C4E, C4E1, E1G7, E2G7, EHHB, N1, N1D, N1E1, N1E2, N1E7, N1J1, N1R, N1T8, N1T9, N1U, N1W, N1W1, N1W2, N1W7, N1W8, N1W9, N2, N2D, N2E, N2E1, N2E2, N2E3, N2E7, N2E8, N2E9, N2EE, N2U, N3T8, N3T9, N3U, N3V, N3W8, N3W9, N7A1, N7S1, NBL1, S1G4, S2E, S2E3, S2G7, S3G9, S4G4, S4G9
					-	-	-	1	-	-	-	-----	3176791	S1E1, S2E1, S2E2, S3E9, S4E4, S4E9
	20	L	16580-ZOM-811	BASE COMP., CONTROL.....	-	-	-	1	-	-	-	-----	2462269	S2E2, S3E9, S4E4, S4E9
					-	-	-	1	-	-	-	2130840	2462269	S1E1, S2E, S2E1
		A	16580-ZOM-812	.....	-	-	1	-	-	-	-	-----	-----	S2G7
					-	-	-	1	-	-	-	2462270	-----	S2E

NOTE A:PART NO. CHANGE D:NEWLY PROVIDED E:PART NO.DELETION K:REQUIRED NO. CORRECTION L:APPLICATION SERIAL NO. CORRECTION  
T:APPLICATION CORRECTION Z:REMARKS CHANGE

PARTS CATALOGUE NEWS

BOOKNo. : 13ZM00E8

Block No.	Ref. No.	Note	Part No.	Description	Reqd. QTY								Serial No.	Parts catalogue code
					GCV 160	GCV 160 A	GCV 160 AO	GCV 160 E	GCV 160 LE	GCV 160 LA	GCV 160 LAO			
					-	-	-	1	-	-	-	2462270	3176791	S1E1, S2E1, S2E2, S3E9, S4E4, S4E9
	21	L	16584-883-300	SPRING, CONTROL ADJUSTING. ....	1	1	1	1	-	-	1	-----	-----	A7E1, A7Q1, N7A1, N7S1, S2E, S2G7
					-	-	-	1	-	-	-	-----	3176791	S1E1, S2E1, S2E2, S3E9, S4E4, S4E9
	22	L	16599-ZG1-M10	COLLAR, STOPPER. ....	1	1	1	1	-	-	1	-----	-----	A7E1, N7A1, N7S1, S2E, S2G7
					-	-	-	1	-	-	-	-----	3176791	S1E1, S2E1, S2E2, S3E9, S4E4, S4E9
	23	L	90016-ZE7-W00	SCREW, RECESSED, 5X28. ....	1	1	1	1	-	-	1	-----	-----	A7E1, N7A1, N7S1, S2E, S2G7
					-	-	-	1	-	-	-	-----	3176791	S1E1, S2E1, S2E2, S3E9, S4E4, S4E9
	30	D	16221-ZOL-900	SPACER, CARBURETOR. ....	-	-	-	1	-	-	-	3176792	-----	S1E1, S2E1, S2E2, S3E9, S4E4, S4E9
					-	-	-	-	-	-	1	-----	-----	S3T, SBT
E-22-2	1	T	16551-ZMO-010	ARM, GOVERNOR. ....	-	1	1	-	-	1	-	-----	-----	A1AE, A1AF, A3A, E1A2, E1A4, E5A4, N1AF, N5AF, N5MF, N5R, R1A, R3A, R3A1, RTL1, S1A, S1A1, S1M, S3A, S3A2, S3H, S3H2, S3TE, SBTE, STA1, STL1
					-	-	-	-	-	-	1	-----	-----	A1AF, E1A2
					-	-	-	-	-	-	1	-----	1854820	N1AF, N5AF, N5MF, N5R, N5RB
	2	L	16555-ZOL-801	ROD, GOVERNOR. ....	-	1	-	-	-	-	-	6349023	-----	S3H2
					-	-	1	-	-	-	1	-----	-----	A1AF, E1A2, N5RE, S3H2, S3TE, SBTE
					-	-	-	-	-	1	-	6349023	-----	A1AF, N1AF, N5AF, N5MF, N5R, S1A, S1M, S3A, S3H
					-	-	-	-	-	-	1	-----	1854820	N1AF, N5AF, N5MF, N5R, N5RB
	3	L	16561-ZMO-V30	SPRING, GOVERNOR. ....	-	1	1	-	-	-	-	-----	-----	E1A4, E5A4, N5MF, N5R, N5RE
					-	-	-	-	-	1	-	-----	-----	N1AF, N5AF, N5MF, N5R
					-	-	-	-	-	-	1	-----	1854820	N1AF, N5AF, N5MF, N5R, N5RB
	4	L	16562-ZMO-000	SPRING, THROTTLE RETURN. ....	-	1	1	-	-	-	-	-----	-----	A1AE, A1AF, A3A, N1AF, N5AF, N5MF, N5R, R1A, R3A, R3A1, RTL1, S1A, S1A1, S1M, S3A, S3A2, S3H, S3H2, S3TE, SBTE, STA1, STL1
					-	-	-	-	-	1	-	-----	-----	A1AF, E1A2, N1AF, N5AF, N5MF, N5R, R3A, S1A, S1M, S3A, S3H
					-	-	-	-	-	-	1	-----	-----	A1AF, E1A2

NOTE A:PART NO. CHANGE D:NEWLY PROVIDED E:PART NO.DELETION K:REQUIRED NO. CORRECTION L:APPLICATION SERIAL NO. CORRECTION  
T:APPLICATION CORRECTION Z:REMARKS CHANGE

PARTS CATALOGUE NEWS

BOOKNo. : 13ZM00E8

Block No.	Ref. No.	Note	Part No.	Description	Reqd. QTY								Serial No.	Parts catalogue code
					GCV 160	GCV 160 A	GCV 160 AO	GCV 160 E	GCV 160 LE	GCV 160 LA	GCV 160 LAO			
					-	-	-	-	-	-	-	1	----- 1854820	N1AF, N5AF, N5MF, N5R, N5RB
	8	L	16613-893-000	GROMMET, CHOKE ROD.....	-	1	-	-	-	1	-	-	-----	A1AE, A1AF, A3A, E1A2
					-	2	-	-	-	-	-	-	-----	E1A4, E5A4, N1AF, N5AF, N5MF, N5R
					-	-	2	-	-	-	-	-	-----	N5RE
					-	-	-	-	-	2	-	-	-----	N1AF, N5AF, N5MF, N5R
					-	-	-	-	-	-	1	-	-----	A1AF, E1A2
					-	-	-	-	-	-	2	----- 1854820	N1AF, N5AF, N5MF, N5R, N5RB	
	9	L	16674-Z0L-800	ROD, CHOKE.....	-	1	1	-	-	1	-	-	-----	E1A4, E5A4, N1AF, N5AF, N5MF, N5R, N5RE
					-	-	-	-	-	-	1	----- 1854820	N1AF, N5AF, N5MF, N5R, N5RB	
	11	L	35120-Z0L-901	SWITCH ASSY., ENGINE STOP.....	-	-	1	-	-	-	-	-	-----	N5RE
					-	-	-	-	-	1	-	6702083	-----	N1AF, N5AF, N5MF, N5R
					-	-	-	-	-	-	1	----- 1854820	N1AF, N5AF, N5MF, N5R, N5RB	
	12	L	90015-ZE5-010	BOLT, GOVERNOR ARM.....	-	1	1	-	-	1	-	-	-----	A1AE, A1AF, A3A, E1A2, E1A4, E5A4, N1AF, N5AF, N5MF, N5R, N5RE, R1A, R3A, R3A1, RTL1, S1A, S1A1, S1M, S3A, S3A2, S3H, S3H2, S3TE, SBTE, STA1, STL1
					-	-	-	-	-	-	1	-	-----	A1AF, E1A2
					-	-	-	-	-	-	1	----- 1854820	N1AF, N5AF, N5MF, N5R, N5RB	
	13	L	90016-ZE8-000	BOLT, FLANGE, 6X45 (CT200).....	-	1	1	-	-	-	-	-	-----	A1AE, A1AF, A3A, E1A2, E1A4, E5A4, N1AF, N5AF, N5MF, N5R, N5RE, R1A, R3A, R3A1, RTL1, S1A, S1A1, S1M, S3A, S3A2, S3H, S3H2, STA1, STL1
					-	-	-	-	-	1	-	-	-----	A1AF, E1A2, N1AF, N5AF, N5MF, N5R
					-	-	-	-	-	1	-	6901760	-----	S1A, S1M, S3A, S3H
					-	-	-	-	-	1	-	8028729	-----	R3A
					-	-	-	-	-	-	1	-	-----	A1AF, E1A2
					-	-	-	-	-	-	1	----- 1854820	N1AF, N5AF, N5MF, N5R, N5RB	
	14	L	51125-Z0L-003	HOLDER, WIRE (FASTEX).....	-	-	1	-	-	1	-	-	-----	N1AF, N5AF, N5MF, N5R, S3TE

NOTE A:PART NO. CHANGE D:NEWLY PROVIDED E:PART NO.DELETION K:REQUIRED NO. CORRECTION L:APPLICATION SERIAL NO. CORRECTION  
T:APPLICATION CORRECTION Z:REMARKS CHANGE

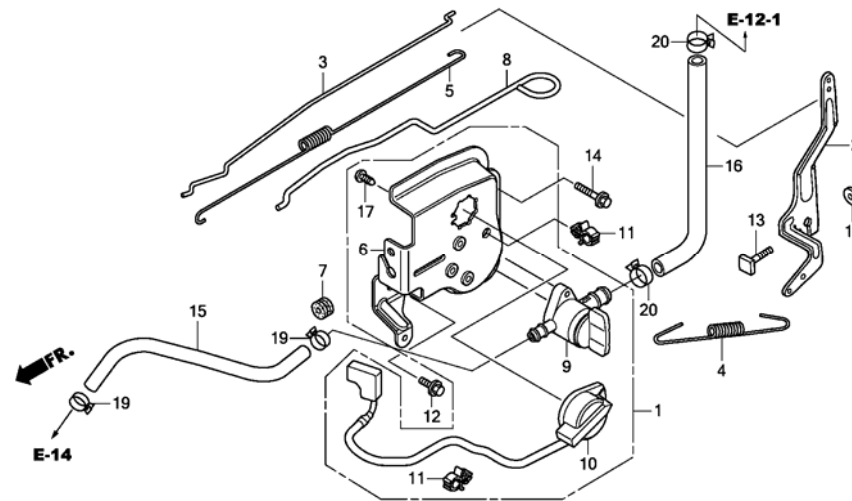
PARTS CATALOGUE NEWS

BOOKNo. : 13ZM00E8

Block No.	Ref. No.	Note	Part No.	Description	Reqd. QTY								Serial No.	Parts catalogue code
					GCV 160	GCV 160 A	GCV 160 AO	GCV 160 E	GCV 160 LE	GCV 160 LA	GCV 160 LAO			
					-	-	-	-	-	-	-	1	----- 1854820	N1AF, N5AF, N5MF, N5R, N5RB
		L	90681-959-003	CLIP A, CABLE (NIFCO) (3.8MM BLACK)	-	1	-	-	-	-	-	-	-----	E1A2, N1AF, N5AF, N5MF, N5R
					-	-	-	-	-	1	-	-	-----	N1AF, N5AF, N5MF, N5R
					-	-	-	-	-	-	1	-	----- 1854820	N1AF, N5AF, N5MF, N5R, N5RB
	15	L	94050-06000	NUT, FLANGE, 6MM.....	-	1	1	-	-	1	-	-	-----	A1AE, A1AF, A3A, E1A2, E1A4, E5A4, N1AF, N5AF N5MF, N5R, N5RE, R1A, R3A, R3A1, RTL1, S1A S1A1, S1M, S3A, S3A2, S3H, S3H2, S3TE, SBTE STA1, STL1
					-	-	-	-	-	-	1	-	-----	A1AF, E1A2
					-	-	-	-	-	-	1	-	----- 1854820	N1AF, N5AF, N5MF, N5R, N5RB
	17	L	16580-Z0L-800	BASE COMP., CONTROL.....	-	1	1	-	-	1	-	-	-----	N1AF, N5AF, N5MF, N5R, N5RE
					-	-	-	-	-	-	1	-	----- 1854820	N1AF, N5AF, N5MF, N5R, N5RB

E-22-4 CONTROL (4)

Ref. No.	LON	(Relative ref. Number) Description	FRT
2	1161A0	ARM, GOVERNOR .....	0.2
3	1161B1	ROD, GOVERNOR .....	0.2
4	1161C5	SPRING, GOVERNOR .....	0.1
5	1161C2	SPRING, THROTTLE RETURN .....	0.2
9	3101A3	COCK, FUEL .....	0.1
10	6151D9	SWITCH, ENGINE STOP .....	0.2
15	3101V5	TUBE, FUEL (FUEL COCK-CARBURETOR) .....	0.2
16	3101F1	TUBE, FUEL TANK .....	0.2



ZM00E2204

E-22-4	1	D	16500-Z8D-000	CONTROL ASSY.....	-	-	-	-	-	-	1	----- 1854821	N1AF, N5AF, N5MF, N5R, N5RB
--------	---	---	---------------	-------------------	---	---	---	---	---	---	---	---------------	-----------------------------

NOTE A:PART NO. CHANGE D:NEWLY PROVIDED E:PART NO.DELETION K:REQUIRED NO. CORRECTION L:APPLICATION SERIAL NO. CORRECTION  
T:APPLICATION CORRECTION Z:REMARKS CHANGE

PARTS CATALOGUE NEWS

BOOKNo. :13ZM00E8

Block No.	Ref. No.	Note	Part No.	Description	Reqd. QTY								Serial No.	Parts catalogue code	
					GCV 160	GCV 160 A	GCV 160 AO	GCV 160 E	GCV 160 LE	GCV 160 LA	GCV 160 LAO				
	2	D	16551-ZMO-010	ARM, GOVERNOR.....	-	-	-	-	-	-	-	1	1854821	-----	N1AF, N5AF, N5MF, N5R, N5RB
	3	D	16555-ZOL-801	ROD, GOVERNOR.....	-	-	-	-	-	-	-	1	1854821	-----	N1AF, N5AF, N5MF, N5R, N5RB
	4	D	16561-Z8B-V30	SPRING, GOVERNOR.....	-	-	-	-	-	-	-	1	1854821	-----	N1AF, N5AF, N5MF, N5R, N5RB
	5	D	16562-ZMO-000	SPRING, THROTTLE RETURN.....	-	-	-	-	-	-	-	1	1854821	-----	N1AF, N5AF, N5MF, N5R, N5RB
	6	D	16581-Z8D-000	BASE, CONTROL.....	-	-	-	-	-	-	-	1	1854821	-----	N1AF, N5AF, N5MF, N5R, N5RB
	7	D	16613-893-000	GROMMET, CHOKE ROD.....	-	-	-	-	-	-	-	1	1854821	-----	N1AF, N5AF, N5MF, N5R, N5RB
	8	D	16674-Z8D-800	ROD, CHOKE.....	-	-	-	-	-	-	-	1	1854821	-----	N1AF, N5AF, N5MF, N5R, N5RB
	9	D	16950-ZOY-003	COCK ASSY., FUEL.....	-	-	-	-	-	-	-	1	1854821	-----	N1AF, N5AF, N5MF, N5R, N5RB
	10	D	35120-Z8D-901	SWITCH ASSY., ENGINE STOP.....	-	-	-	-	-	-	-	1	1854821	-----	N1AF, N5AF, N5MF, N5R, N5RB
	11	D	51125-ZOL-003	HOLDER, WIRE (FASTEX).....	-	-	-	-	-	-	-	2	1854821	-----	N1AF, N5AF, N5MF, N5R, N5RB
	12	D	90013-883-000	BOLT, FLANGE, 6X12 (GT200).....	-	-	-	-	-	-	-	1	1854821	-----	N1AF, N5AF, N5MF, N5R, N5RB
	13	D	90015-ZE5-010	BOLT, GOVERNOR ARM.....	-	-	-	-	-	-	-	1	1854821	-----	N1AF, N5AF, N5MF, N5R, N5RB
	14	D	90017-883-000	BOLT, FLANGE, 6X32 (GT200).....	-	-	-	-	-	-	-	1	1854821	-----	N1AF, N5AF, N5MF, N5R, N5RB
	15	D	91424-Z8D-801	TUBE (FKM).....	-	-	-	-	-	-	-	1	1854821	-----	N1AF, N5AF, N5MF, N5R, N5RB
	16	D	91427-Z8D-801	TUBE (FKM).....	-	-	-	-	-	-	-	1	1854821	-----	N1AF, N5AF, N5MF, N5R, N5RB
	17	D	93913-25220	SCREW, TAPPING, 5X12 (PO).....	-	-	-	-	-	-	-	1	1854821	-----	N1AF, N5AF, N5MF, N5R, N5RB
	18	D	94050-06000	NUT, FLANGE, 6MM.....	-	-	-	-	-	-	-	1	1854821	-----	N1AF, N5AF, N5MF, N5R, N5RB
	19	D	95002-40800-08	CLAMP, TUBE (D8).....	-	-	-	-	-	-	-	2	1854821	-----	N1AF, N5AF, N5MF, N5R, N5RB
	20	D	95002-41200-08	CLAMP, TUBE (D12).....	-	-	-	-	-	-	-	1	1854821	-----	N1AF, N5AF, N5MF, N5R, N5RB

NOTE A:PART NO. CHANGE D:NEWLY PROVIDED E:PART NO.DELETION K:REQUIRED NO. CORRECTION L:APPLICATION SERIAL NO. CORRECTION  
T:APPLICATION CORRECTION Z:REMARKS CHANGE



# PARTS CATALOGUE NEWS

Honda Motor Co., Ltd.

Customer Service Technology Development Division

Printed in Japan

CODE NO.	13ZM00E8
PARTS CATALOGUE NEWS	GCV160 GCV160A GCV160A0 GCV160E GCV160LE GCV160LA GCV160LA0
NEWS NO.	036

## GCV160E-A4EV TYPE sales parts information

NOTE: This Parts Catalogue News explains only the parts of the different model that are produced to conform to addition of the GCV160E-A4EV type.

As for the parts not listed on this Parts Catalogue News, use the parts of the GCV160LE-A4A9 type.

### •Models, parts catalogue codes and applicable serial numbers

Model	Type		Parts catalogue type	Applicable engine serial No.	Applicable carburetor identification No.
GCV160LE	A4A9	Base Type	A4A9	GJAAE-2075803~	BB62W A BB62W B BB62W C
GCV160E	A4EV	Additional Type	A4EV	GJAAE-1000001~	BB62W C

•Features of each type		Base type	Additional type
Model		GCV160LE	GCV160E
Type		A4A9	A4EV
Crankshaft	20mm Ø Straight (133.8mm)		
	22.2mm Ø Straight (100.4mm)		
	22.2mm Ø Straight (117.4mm) (Depth 24mm)		
	22.2mm Ø Straight (117.4mm) (Depth 52mm)		
	22.2mm Ø Straight (135.7mm)		
	25mm Ø Straight (117.4mm)	●	●
	25mm Ø Straight (135.7mm) (3/8-24 UNF)		
	25mm Ø Straight (135.7mm) (7/16-20 UNF)		
	M14 Stepped thread (137.4mm)		
	Recoil starter		
Recoil starter (Long rope)		●	●
Flywheel brake		●	
Starter motor			

NOTE A:PART NO. CHANGE D:NEWLY PROVIDED E:PART NO.DELETION K:REQUIRED NO. CORRECTION L:APPLICATION SERIAL NO. CORRECTION  
 T:APPLICATION CORRECTION Z:REMARKS CHANGE



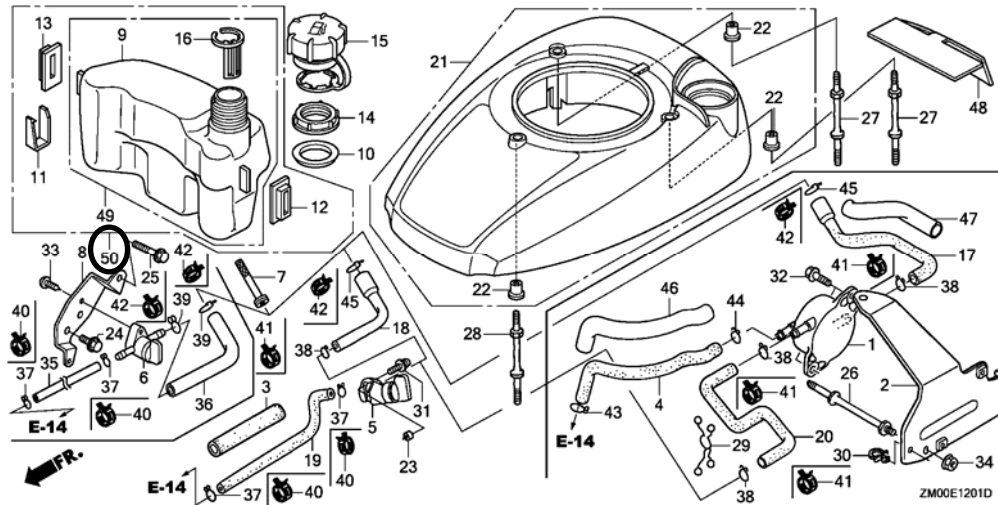
PARTS CATALOGUE NEWS

BOOKNo. : 13ZM00E8

Block No.	Ref. No.	Part No.	Description	Reqd. QTY							Base Part No.	Parts catalogue code
				GCV 160	GCV 160 A	GCV 160 AO	GCV 160 E	GCV 160 LE	GCV 160 LA	GCV 160 LAO		
E-3	1	12000-Z1L-406	BARREL ASSY., CYLINDER.....	-	-	-	1	-	-	-	A4EV	
	5	90013-Z1L-000	BOLT, FLANGE, 6X13.....	-	-	-	4	-	-	-	90013-883-000 A4EV	
	8	98079-55846	PLUG, SPARK (BPR5ES) (NGK).....	-	-	-	1	-	-	-	A4EV	
	9		BARREL ASSY., CYLINDER.....	-	-	-	0	-	-	-	12000-ZL8-425 A4EV	
E-6	16	90026-Z1L-000	BOLT, FLANGE, 6X26.....	-	-	-	8	-	-	-	90121-952-000 A4EV	
E-8	2	13111-Z1L-000	PIN, PISTON.....	-	-	-	1	-	-	-	13111-ZE0-000 A4EV	

E-12-1 FAN COVER (2)

Ref. No.	(Relative ref. Number)	Description	FRT
9	(49, 50)	TANK, FUEL .....	0.2



E-12-1	9	17511-Z0L-030	TANK, FUEL.....	-	-	-	1	-	-	-	17511-Z0L-010 A4EV
	16	17636-Z0L-010	GAUGE, FUEL LEVEL.....	-	-	-	1	-	-	-	17636-Z0L-000 A4EV
	18	17701-Z8B-811	TUBE, FUEL TANK (FKM).....	-	-	-	1	-	-	-	17701-Z0L-810 A4EV
	19	17702-Z8B-801	TUBE, FUEL (FKM).....	-	-	-	1	-	-	-	17702-ZM0-800 A4EV
	37		CLIP, TUBE (B8).....	-	-	-	0	-	-	-	95002-02080 A4EV
	38		CLIP, TUBE (B10).....	-	-	-	0	-	-	-	95002-02100 A4EV

NOTE A:PART NO. CHANGE D:NEWLY PROVIDED E:PART NO.DELETION K:REQUIRED NO. CORRECTION L:APPLICATION SERIAL NO. CORRECTION  
T:APPLICATION CORRECTION Z:REMARKS CHANGE

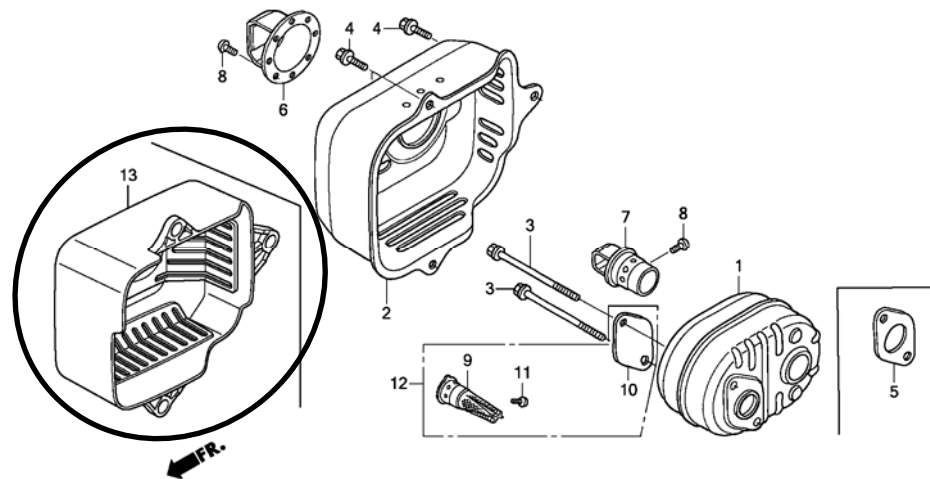
PARTS CATALOGUE NEWS

BOOKNo. : 13ZM00E8

Block No.	Ref. No.	Part No.	Description	Reqd. QTY							Base Part No.	Parts catalogue code
				GCV 160	GCV 160 A	GCV 160 AO	GCV 160 E	GCV 160 LE	GCV 160 LA	GCV 160 LAO		
	40	95002-40800-08	CLAMP, TUBE (D8).....	-	-	-	2	-	-	-	A4EV	
	41	95002-41000-08	CLAMP, TUBE (D10).....	-	-	-	1	-	-	-	A4EV	
	42	95002-41200-08	CLAMP, TUBE (D12).....	-	-	-	1	-	-	-	A4EV	
	45		CLIP, TUBE (C11).....	-	-	-	0	-	-	95002-70000	A4EV	
	50	06175-Z8B-800	TANK KIT, FUEL.....	-	-	-	(1)	-	-	-	A4EV	
E-15	1	15721-Z1L-000	TUBE, BREATHER.....	-	-	-	1	-	-	15721-ZM0-000	A4EV	
	2	17211-Z1L-003	ELEMENT, AIR CLEANER.....	-	-	-	1	-	-	17211-ZL8-023	A4EV	
	3	17220-ZM0-030	CASE ASSY., AIR CLEANER.....	-	-	-	1	-	-	17220-ZM0-010	A4EV	
	6	17231-Z0L-050	COVER, AIR CLEANER.....	-	-	-	1	-	-	17231-Z0L-030	A4EV	
	7	90003-Z1L-000	BOLT, FLANGE, 6X86.....	-	-	-	2	-	-	90003-ZM0-010	A4EV	

E-16 MUFLER

Ref. No.	(Relative ref. Number)	Description	FRT
2	(13)	PROTECTOR, EXHAUST MUFLER ...	0.1
3131D6			



ZM00E1600G

E-16	2		PROTECTOR, MUFLER.....	-	-	-	0	-	-	18321-ZL8-000	A4EV
	3	90004-Z1L-000	BOLT, FLANGE, 6X80.....	-	-	-	2	-	-	90004-ZL8-000	A4EV

NOTE A:PART NO. CHANGE D:NEWLY PROVIDED E:PART NO.DELETION K:REQUIRED NO. CORRECTION L:APPLICATION SERIAL NO. CORRECTION  
T:APPLICATION CORRECTION Z:REMARKS CHANGE

PARTS CATALOGUE NEWS

BOOKNo. :13ZM00E8

Block No.	Ref. No.	Part No.	Description	Reqd. QTY							Base Part No.	Parts catalogue code
				GCV 160	GCV 160 A	GCV 160 AO	GCV 160 E	GCV 160 LE	GCV 160 LA	GCV 160 LAO		
	4	90021-Z1L-000	BOLT, FLANGE, 6X21.....	-	-	-	3	-	-	-	90013-883-000	A4EV
	9		ARRESTER COMP., SPARK.....	-	-	-	(0)	-	-	-	18350-ZL8-000	A4EV
	10		PLATE, ARRESTER NUMBER.....	-	-	-	(0)	-	-	-	18356-ZL8-000	A4EV
	11		SCREW, TAPPING, 4X6.....	-	-	-	(0)	-	-	-	90055-ZE1-000	A4EV
	13	18320-Z1L-000	PROTECTOR COMP., MUFFLER.....	-	-	-	1	-	-	-		A4EV
E-19	7	75100-Z1L-000	BRAKE ASSY.....	-	-	-	1	-	-	-	75100-ZM0-000	A4EV
	12	90021-Z1L-000	BOLT, FLANGE, 6X21.....	-	-	-	1	-	-	-	90022-888-010	A4EV
	13	90201-Z0T-800	NUT, SPECIAL, 14MM.....	-	-	-	1	-	-	-	90201-878-003	A4EV
E-22	17		SPRING, CONTROL ADJUSTING.....	-	-	-	0	-	-	-	16584-883-300	A4EV
	18		COLLAR, STOPPER.....	-	-	-	0	-	-	-	16599-ZG1-M10	A4EV
	23		SCREW, RECESSED, 5X28.....	-	-	-	0	-	-	-	90016-ZE7-W00	A4EV
E-28	20		LABEL, WARNING (NOT CERTIFIED FOR SALE)	-	-	-	0	-	-	-	87114-ZH7-821	A4EV
	30		MARK, EMBLEM (GCV160).....	-	-	-	0	-	-	-	87101-Z8B-000	A4EV
	32		MARK, FUEL COCK CAUTION.....	-	-	-	0	-	-	-	87524-Z8B-000	A4EV
	34	87519-Z0J-000	MARK, OPERATOR CAUTION.....	-	-	-	1	-	-	-		A4EV

NOTE A:PART NO. CHANGE D:NEWLY PROVIDED E:PART NO.DELETION K:REQUIRED NO. CORRECTION L:APPLICATION SERIAL NO. CORRECTION  
T:APPLICATION CORRECTION Z:REMARKS CHANGE



# PARTS CATALOGUE NEWS

Honda Motor Co., Ltd.  
Customer Service Technology Development Division

## PARTS CATALOGUE - CORRECTED

Printed in Japan

CODE NO.	13ZM00E8
PARTS CATALOGUE NEWS	GCV160 GCV160A GCV160A0 GCV160E GCV160LE GCV160LA GCV160LA0
NEWS NO.	037

Block No.	Ref. No.	Note	Part No.	Description	Reqd. QTY								Serial No.	Parts catalogue code		
					GCV 160	GCV 160 A	GCV 160 A0	GCV 160 E	GCV 160 LE	GCV 160 LA	GCV 160 LA0					
E-3	1	L	12000-Z0L-406	BARREL ASSY., CYLINDER.....	-	-	-	1	-	-	-	-	-----	2467992	S2E2, S2E3, S3E9, S3G9, S4E4, S4E9, S4G4, S4G9	
		L	12000-Z1L-405	.....	-	-	-	1	-	-	-	-	-----	3360946	A7Q1, N2EE, S1G4	
						-	-	-	1	-	-	-	-	2467993	3360946	S2E2, S2E3, S3E9, S3G9, S4E4, S4E9, S4G4, S4G9
						-	-	-	1	-	-	-	-	-----	-----	A4EV
		T	12000-Z1L-406	.....	-	-	-	1	-	-	-	-	3360947	-----	A1G9, A1P, A2G4, A2G7, A2G9, A3E7, A3E9, A3G9 A3T9, A3W7, A3W8, A4G4, A4G7, A4G9, A7E1, A7Q1 N1J1, N1T9, N1W7, N2E7, N2E8, N2EE, N3T8, N3W8 N3W9, S1E1, S1G4, S2E1, S2E2, S2E3, S3E9, S3G9 S4E4, S4E9, S4G4, S4G9	
	9	L	12000-ZL8-425	.....	-	1	-	-	1	-	-	-	-----	-----	A1AE, A1AF, A1AS, A1C, A1E, A1E7, A1E8, A1M A1W7, A2A9, A2C, A2E7, A2E8, A2E9, A2G7, A3A A3E, A4A9, A7E1, A7H1, BHH, BHH1, N1AF, N1C N1E1, N1E7, N1L, N1R, N1U, N1W7, N1W8, N1W9 N2E7, N2E8, N2E9, N2U, N3U, N3V, N5AF, N5C N5MF, N5R, N7A1, N7S1, NBL1, S1A, S1A1, S3A S3H2, STA1, STL1	
					-	-	-	1	-	1	-	-	-----	-----	A1A, A1AF, A1E7, A1E8, A1G7, A1W7, A2A9, A2E7 A2E8, A2E9, A2R, BHH, N1A, N1AF, N1D, N1E1 N1E2, N1E7, N1R, N1T8, N1W8, N1W9, N2E9, N3T9 N5AF, N5MF, N5R, N7A1, N7S1, S1A, S2E, S3A	

NOTE A:PART NO. CHANGE D:NEWLY PROVIDED E:PART NO.DELETION K:REQUIRED NO. CORRECTION L:APPLICATION SERIAL NO. CORRECTION  
T:APPLICATION CORRECTION Z:REMARKS CHANGE

PARTS CATALOGUE NEWS

BOOKNo. : 13ZM00E8

Block No.	Ref. No.	Note	Part No.	Description	Reqd. QTY								Serial No.	Parts catalogue code	
					GCV 160	GCV 160 A	GCV 160 AO	GCV 160 E	GCV 160 LE	GCV 160 LA	GCV 160 LAO				
					-	-	-	1	-	-	-	-	-----	3360946	A1G9, A1P, A2G4, A2G7, A2G9, A3E7, A3E9, A3G9 A3T9, A3W7, A3W8, A4G4, A4G7, A4G9, A7E1, N1J1 N1T9, N1W7, N2E7, N2E8, N3T8, N3W8, N3W9, S1E1 S2E1
E-12-1	7	L	16952-ZA8-800	STRAINER, FUEL.....	-	-	1	-	-	-	-	-	-----	1428001	N5RE, S3TE
					-	-	-	1	-	-	-	-	-----	-----	A4EV
					-	-	-	-	1	1	-	-	-----	-----	
					-	-	-	-	-	-	1	-	-----	-----	A1AF, E1A2, N7A1, S1A, S1M
					-	-	-	-	-	-	1	-	-----	2240292	A1A, A2R, BHH, N1A, N1AF, N5AF, N5MF, N5R, N5RB N7S1, R3A, S3A, S3H, S3T, SBT
		T	16952-Z8B-000	.....	-	-	1	-	-	-	-	-	-----	-----	SBTE
					-	-	1	-	-	-	-	-	-----	1428002	N5RE, S3TE
					-	-	-	-	-	-	1	-	-----	2240293	A1A, A2R, BHH, N1A, N1AF, N5AF, N5MF, N5R, N5RB N7S1, R3A, S3A, S3H, S3T, SBT
E-14	3	E	16015-887-782	*PART NO. DELETION											
	7	L	16100-ZOL-013	CARBURETOR ASSY. (BB62W B)....	-	1	-	-	-	-	-	-	-----	7055345	A1AW, A1E7, A1M, A2E7, BHH1, C1E, C1E1, C2E C2E1, C3E, C3E1, C4E, C4E1, N1L, N1R, N1U, N2U N3U, N3V
					-	-	1	-	-	-	1	-	-----	-----	A1M, A2E7, C1E, C1E1, C2E, C2E1, C3E, C3E1, C4E C4E1, E1A2, E2G7, N1R, N3V
					-	-	1	-	-	-	-	-	-----	1488779	A1AW, A1E7, BHH1, N1L, N1U, N2U, N3U
					-	-	-	1	-	-	-	-	-----	3273291	N2EE
					-	-	-	1	-	-	-	-	-----	2659549	3273291 A1G9, A1P, A2G4, A2G7, A2G9, A3E7, A3E9, A3G9 A3T9, A3W7, A3W8, A4G4, A4G7, A4G9, N1J1, N1T9 N1W7, N2E7, N2E8, N3T8, N3W8, N3W9
					-	-	-	-	1	-	-	-	-----	3020071	3273291 A2A9, A4A9
					-	-	-	-	-	1	-	-	-----	7055345	A1A, A2R, BHH, N1A
					-	-	-	-	-	-	1	-	-----	2532399	A1A, A2R, BHH, N1A
		L	16100-ZOL-852	CARBURETOR ASSY. (BB62Z B).....	-	1	-	-	-	-	-	-	-----	7161135	S3H2

NOTE A:PART NO. CHANGE D:NEWLY PROVIDED E:PART NO.DELETION K:REQUIRED NO. CORRECTION L:APPLICATION SERIAL NO. CORRECTION  
T:APPLICATION CORRECTION Z:REMARKS CHANGE

PARTS CATALOGUE NEWS

BOOKNo. : 13ZM00E8

Block No.	Ref. No.	Note	Part No.	Description	Reqd. QTY							Serial No.	Parts catalogue code		
					GCV 160	GCV 160 A	GCV 160 AO	GCV 160 E	GCV 160 LE	GCV 160 LA	GCV 160 LAO				
					-	-	1	-	-	-	-	-----	1583553	S3H2	
					-	-	-	1	-	-	-	2441276	-----	S1E1, S2E1	
					-	-	-	-	-	1	-	7161135	-----	S1A, S3A	
					-	-	-	-	-	-	1	-----	-----	S1A	
					-	-	-	-	-	-	1	-----	2528590	R3A, S3A	
		T	16100-Z0L-023	CARBURETOR ASSY. (BB62W C).....	-	-	1	-	-	-	-	1488780	-----	A1AW, A1E7, BHH1, N1L, N1U, N2U, N3U	
					-	-	-	1	-	-	-	-----	-----	A4EV	
					-	-	-	1	-	-	-	3273292	-----	A1G9, A1P, A2G4, A2G7, A2G9, A3E7, A3E9, A3G9 A3T9, A3W7, A3W8, A4G4, A4G7, A4G9, N1J1, N1T9 N1W7, N2E7, N2E8, N2EE, N3T8, N3W8, N3W9	
					-	-	-	-	1	-	-	3273292	-----	A2A9, A4A9	
					-	-	-	-	-	-	1	2532400	-----	A1A, A2R, BHH, N1A	
		T	16100-Z0L-853	CARBURETOR ASSY. (BB62Z C).....	-	-	1	-	-	-	-	1583554	-----	S3H2	
					-	-	-	-	-	-	1	2528591	-----	R3A, S3A	
		L	16100-Z1L-003	CARBURETOR ASSY. (BB62Y A).....	-	1	-	-	-	-	-	4029853	-----	N7A1	
					-	-	-	1	-	-	-	1809863	-----	N7A1	
					-	-	-	1	-	-	-	2704006	3292163	A7E1	
					-	-	-	-	1	-	-	-----	3276088	N7A1	
					-	-	-	-	-	1	-	-----	-----	N7A1	
		L	16100-Z1L-013	CARBURETOR ASSY. (BB62Y B).....	-	-	-	-	1	-	-	-----	3276088	A7H1	
					-	-	-	-	-	-	1	-----	-----	N7A1, N7S1	
		T	16100-Z1L-023	CARBURETOR ASSY. (BB62Y C).....	-	-	-	1	-	-	-	-----	-----	A7Q1	
					-	-	-	1	-	-	-	3292164	-----	A7E1	
					-	-	-	-	1	-	-	3276089	-----	A7H1, N7A1	
		21	L	16600-Z0L-840	CONTROL ASSY., CHOKE.....	-	1	-	-	-	1	1	-----	-----	S1M, S2G7, S3A2, S3H

NOTE A:PART NO. CHANGE D:NEWLY PROVIDED E:PART NO.DELETION K:REQUIRED NO. CORRECTION L:APPLICATION SERIAL NO. CORRECTION  
T:APPLICATION CORRECTION Z:REMARKS CHANGE

PARTS CATALOGUE NEWS

BOOKNo. : 13ZM00E8

Block No.	Ref. No.	Note	Part No.	Description	Reqd. QTY								Serial No.	Parts catalogue code
					GCV 160	GCV 160 A	GCV 160 AO	GCV 160 E	GCV 160 LE	GCV 160 LA	GCV 160 LAO			
					-	-	1	-	-	-	-	-----	1059693	S2G7
					-	-	-	1	-	-	-	-----	2467992	S2E2, S2E3, S3E9, S3G9, S4E4, S4E9, S4G4, S4G9
	24	T	16015-887-782	CHAMBER SET, FLOAT..... (CARBURETOR NO.)	-	-	-	-	1	1	-	-----	BB62W A	A1A, A2A9, A2R, A4A9, BHH, E1A2, N1A
					-	-	-	-	1	1	-	-----	BB62Y A	N7A1, N7S1
					-	-	-	-	-	1	-	-----	BB62Z A	R3A, S1A, S3A
					-	-	-	-	-	1	-	-----	BB65A A	A1AF, N1AF, N5AF, N5MF, N5R
					-	-	-	-	-	1	-	-----	BB65E A	S1M, S3H
	28	T	16600-Z1L-840	CONTROL ASSY., CHOKE.....	-	-	1	1	-	-	1	-----	-----	S1G4, S3T, S3TE, SBT, SBTE
					-	-	1	-	-	-	-	-----	1059694	S2G7
					-	-	-	1	-	-	-	-----	2467993	S2E2, S2E3, S3E9, S3G9, S4E4, S4E9 S4G4, S4G9
	29	T	16620-Z1L-841	THERMOWAX ASSY.....	-	-	1	1	-	-	1	-----	-----	S1G4, S3T, S3TE, SBT, SBTE
					-	-	1	-	-	-	-	-----	1059694	S2G7
					-	-	-	1	-	-	-	-----	2467993	S2E2, S2E3, S3E9, S3G9, S4E4, S4E9 S4G4, S4G9
E-19	7	L	75100-ZM0-000	BRAKE ASSY.....	1	-	-	-	-	-	-	-----	-----	A1A, A1C, A1E, A1E7, A1E8, A1G7, A1J, A1P, A1U A1W2, A1W7, A2A, A2C, A2E, A2E4, A2E7, A2E8 A2E9, A2G7, A2U, A3E, A4E, A7E1, N1, N2
					-	1	1	-	-	-	-	-----	-----	A1A, A1AE, A1AF, A1AS, A1AW, A1C, A1E, A1E8 A1W7, A2A, A2C, A2E8, A2E9, A2G7, A3A, A3E A7E1, S1M, S3A2, S3H
					-	1	-	-	-	-	-	-----	7132770	A1E7, A1M, A2E7, S2G7
					-	-	-	1	-	-	-	-----	-----	A1E7, A1E8, A1G7, A1W7, A2A9, A2E7, A2E8, A2E9
					-	-	-	1	-	-	-	-----	3217934	A1G9, A1P, A2G4, A2G7, A2G9, A3E7, A3E9, A3G9 A3T9, A3W7, A3W8, A4G4, A4G7, A4G9, A7E1, S2E2 S2E3, S3E9, S3G9, S4E4, S4E9, S4G4, S4G9
					-	-	-	-	1	-	-	-----	3238209	A2A9, A4A9, A7H1

NOTE A:PART NO. CHANGE D:NEWLY PROVIDED E:PART NO.DELETION K:REQUIRED NO. CORRECTION L:APPLICATION SERIAL NO. CORRECTION  
T:APPLICATION CORRECTION Z:REMARKS CHANGE

PARTS CATALOGUE NEWS

BOOKNo. : 13ZM00E8

Block No.	Ref. No.	Note	Part No.	Description	Reqd. QTY								Serial No.	Parts catalogue code
					GCV 160	GCV 160 A	GCV 160 AO	GCV 160 E	GCV 160 LE	GCV 160 LA	GCV 160 LAO			
					-	-	-	-	-	1	-	----- 7132770	A1A, A1AF, S1M, S3H	
		T	75100-Z1L-000	.....	-	-	-	1	-	-	-	-----	A4EV, A7Q1	
					-	-	-	1	-	-	-	3217935 -----	A1G9, A1P, A2G4, A2G7, A2G9, A3E7, A3E9, A3G9 A3T9, A3W7, A3W8, A4G4, A4G7, A4G9, A7E1, S2E2 S2E3, S3E9, S3G9, S4E4, S4E9, S4G4, S4G9	
					-	-	-	-	1	-	-	3238210 -----	A2A9, A4A9, A7H1	

NOTE A:PART NO. CHANGE D:NEWLY PROVIDED E:PART NO.DELETION K:REQUIRED NO. CORRECTION L:APPLICATION SERIAL NO. CORRECTION  
T:APPLICATION CORRECTION Z:REMARKS CHANGE





# PARTS CATALOGUE NEWS

Honda Motor Co., Ltd.

Customer Service Technology Development Division

## PARTS CATALOGUE - CORRECTED

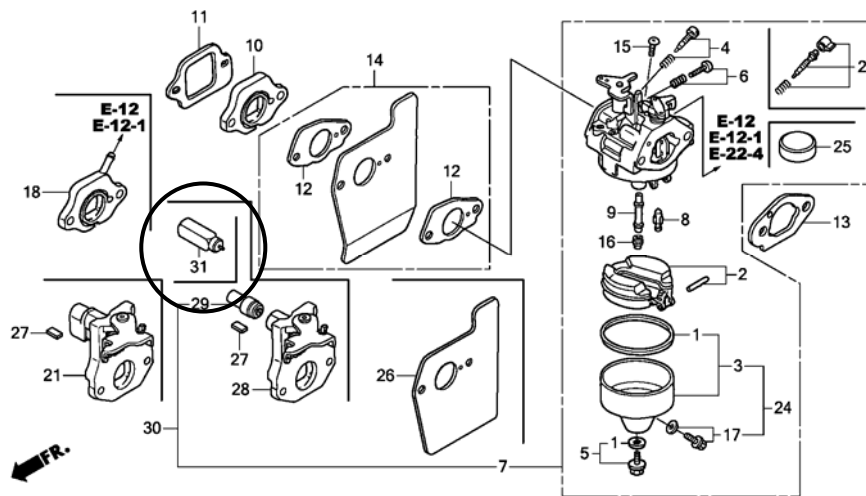
Printed in Japan

CODE NO.	13ZM00E8
PARTS CATALOGUE NEWS	GCV160 GCV160A GCV160A0 GCV160E GCV160LE GCV160LA GCV160LA0
NEWS NO.	038

Block No.	Ref. No.	Note	Part No.	Description	Reqd. QTY								Serial No.	Parts catalogue code
					GCV 160	GCV 160 A	GCV 160 A0	GCV 160 E	GCV 160 LE	GCV 160 LA	GCV 160 LA0			

### E-14 CARBURETOR

Ref. No.	(Relative ref. Number)	Description	FRT
29	(31)	CONTROL, CARBURETOR CHOKE THERMOWAX .....	0.3



ZM00E1400R

E-14	21	L	16600-Z0L-840	CONTROL ASSY., CHOKE.....	-	1	-	-	-	1	-	-	-	S1M, S2G7, S3A2, S3H
					-	-	1	-	-	-	-	-	-	1059693 S2G7

NOTE A:PART NO. CHANGE D:NEWLY PROVIDED E:PART NO. DELETION K:REQUIRED NO. CORRECTION L:APPLICATION SERIAL NO. CORRECTION  
M:PART DESCRIPTION CORRECTION T:APPLICATION CORRECTION Z:REMARKS CHANGE

PARTS CATALOGUE NEWS

BOOKNo. : 13ZM00E8

Block No.	Ref. No.	Note	Part No.	Description	Reqd. QTY								Serial No.	Parts catalogue code
					GCV 160	GCV 160 A	GCV 160 AO	GCV 160 E	GCV 160 LE	GCV 160 LA	GCV 160 LAO			
					-	-	-	1	-	-	-	-----	2467992	S2E2, S2E3, S3E9, S3G9, S4E4, S4E9, S4G4, S4G9
					-	-	-	-	-	-	1	-----	-----	S1M
					-	-	-	-	-	-	1	-----	3180268	S3H
	28	L	16600-Z1L-840	.....	-	-	1	-	-	-	-	-----	1546574	S3TE, SBTE
					-	-	1	-	-	-	-	-----	1059694	S2G7
					-	-	-	1	-	-	-	-----	-----	S1G4
					-	-	-	1	-	-	-	-----	2467993	S2E2, S2E3, S3E9, S3G9, S4E4, S4E9, S4G4, S4G9
					-	-	-	-	-	-	1	-----	3180268	S3T, SBT
	28	D	16600-Z8D-840	CONTROL ASSY., CHOKE.....	-	-	1	-	-	-	-	-----	1546575	S3TE, SBTE
					-	-	-	-	-	-	1	-----	3180269	S3H, S3T, SBT
	29	L	16620-Z1L-841	THERMOWAX ASSY.....	-	-	1	-	-	-	-	-----	1546574	S3TE, SBTE
					-	-	1	-	-	-	-	-----	1059694	S2G7
					-	-	-	1	-	-	-	-----	-----	S1G4
					-	-	-	1	-	-	-	-----	2467993	S2E2, S2E3, S3E9, S3G9, S4E4, S4E9, S4G4, S4G9
					-	-	-	-	-	-	1	-----	3180268	S3T, SBT
	31	D	16620-Z8D-841	THERMOWAX ASSY.....	-	-	1	-	-	-	-	-----	1546575	S3TE, SBTE
					-	-	-	-	-	-	1	-----	3180269	S3H, S3T, SBT

NOTE A:PART NO. CHANGE D:NEWLY PROVIDED E:PART NO.DELETION K:REQUIRED NO. CORRECTION L:APPLICATION SERIAL NO. CORRECTION  
M:PART DESCRIPTION CORRECTION T:APPLICATION CORRECTION Z:REMARKS CHANGE



# PARTS CATALOGUE NEWS

Honda Motor Co., Ltd.  
Customer Service Technology Development Division

## PARTS CATALOGUE - CORRECTED

Printed in Japan

CODE NO.	13ZM00E8
PARTS CATALOGUE NEWS	GCV160 GCV160A GCV160AO GCV160E GCV160LE GCV160LA GCV160LA0
NEWS NO.	039

Block No.	Ref. No.	Note	Part No.	Description	Reqd. QTY								Serial No.	Parts catalogue code			
					GCV 160	GCV 160 A	GCV 160 AO	GCV 160 E	GCV 160 LE	GCV 160 LA	GCV 160 LA0						
E-14	28	L	16600-Z1L-840	CONTROL ASSY., CHOKE.....	-	-	1	-	-	-	-	-	-----	1546574	S3TE, SBTE		
					-	-	1	-	-	-	-	1059694	-----	S2G7			
					-	-	-	1	-	-	-	-----	3360946	S1G4			
					-	-	-	1	-	-	-	2467993	3360946	S2E2, S2E3, S3E9, S3G9, S4E4, S4E9 S4G4, S4G9			
					-	-	-	-	-	-	1	-----	3180268	S3T, SBT			
		T	16600-Z8D-840	.....	-	-	1	-	-	-	-	-----	1546575	-----	S3TE, SBTE		
	-				-	-	1	-	-	-	3360947	-----	S1G4, S2E2, S2E3, S3E9, S3G9, S4E4 S4E9, S4G4, S4G9				
	-				-	-	-	-	-	1	3180269	-----	S3H, S3T, SBT				
	29				L	16620-Z1L-841	THERMOWAX ASSY.....	-	-	1	-	-	-	-	-----	1546574	S3TE, SBTE
								-	-	1	-	-	-	-	1059694	-----	S2G7
-		-	-	1				-	-	-	-----	3360946	S1G4				
-		-	-	1				-	-	-	2467993	3360946	S2E2, S2E3, S3E9, S3G9, S4E4, S4E9 S4G4, S4G9				
-		-	-	-				-	-	1	-----	3180268	S3T, SBT				

NOTE A:PART NO. CHANGE D:NEWLY PROVIDED E:PART NO. DELETION K:REQUIRED NO. CORRECTION L:APPLICATION SERIAL NO. CORRECTION  
M:PART DESCRIPTION CORRECTION T:APPLICATION CORRECTION Z:REMARKS CHANGE

PARTS CATALOGUE NEWS

BOOKNo. : 13ZM00E8

Block No.	Ref. No.	Note	Part No.	Description	Reqd. QTY							Serial No.	Parts catalogue code
					GCV 160	GCV 160 A	GCV 160 AO	GCV 160 E	GCV 160 LE	GCV 160 LA	GCV 160 LAO		
	31	T	16620-Z8D-841	THERMOWAX ASSY.....	-	-	1	-	-	-	-	1546575 -----	S3TE, SBTE
					-	-	-	1	-	-	-	3360947 -----	S1G4, S2E2, S2E3, S3E9, S3G9, S4E4 S4E9, S4G4, S4G9
					-	-	-	-	-	-	1	3180269 -----	S3H, S3T, SBT

NOTE A:PART NO. CHANGE D:NEWLY PROVIDED E:PART NO.DELETION K:REQUIRED NO. CORRECTION L:APPLICATION SERIAL NO. CORRECTION  
M:PART DESCRIPTION CORRECTION T:APPLICATION CORRECTION Z:REMARKS CHANGE