

## **SPARE PARTS CATALOGUE**

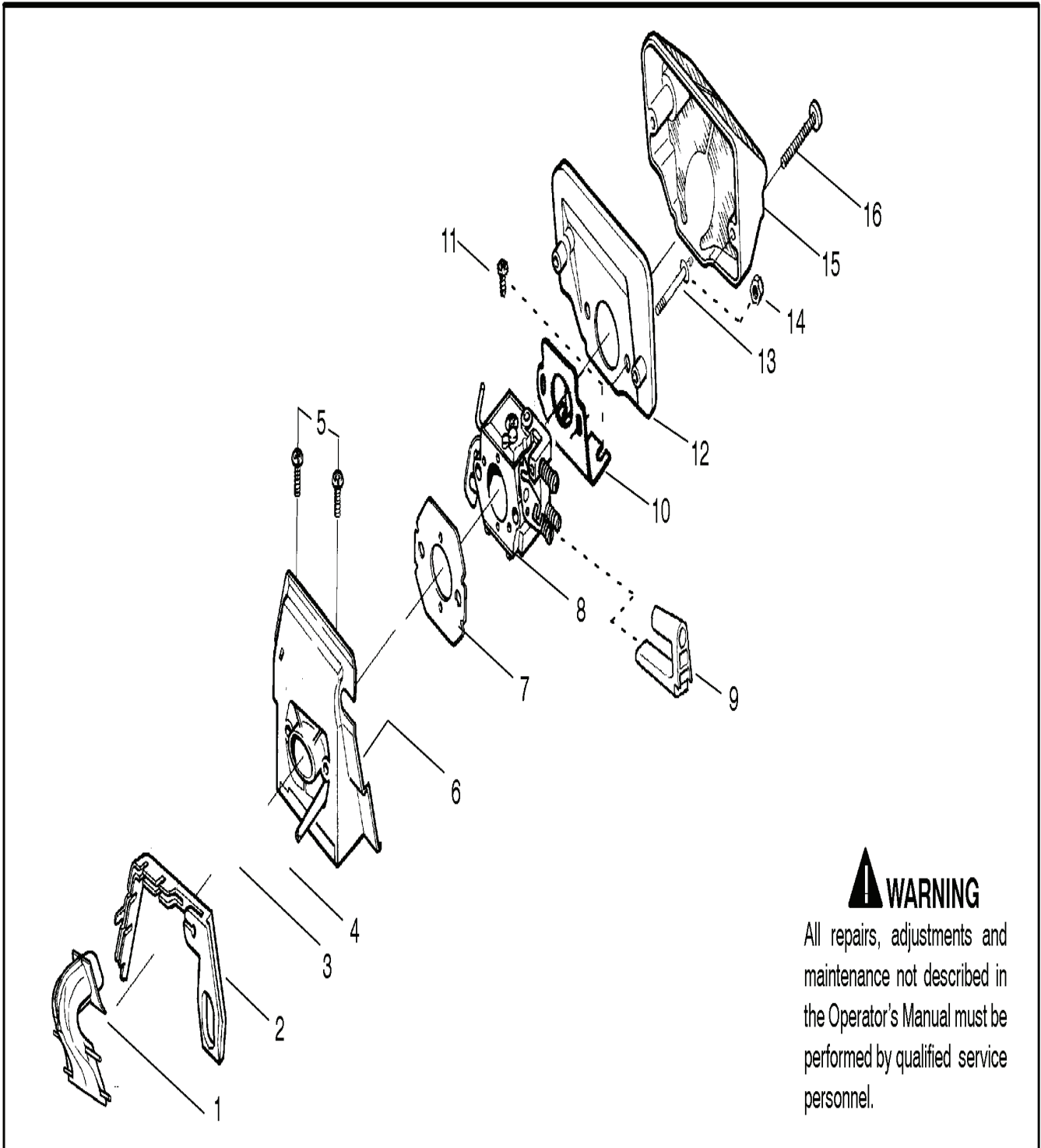
### **CHAIN SAWS:**

Spare Parts List

# **SPARE PARTS LIST**

## **CHAIN SAWS**

|                                    |                                 |                              |  |
|------------------------------------|---------------------------------|------------------------------|--|
| PARTS LIST NO.<br><b>530165247</b> |                                 | <b>Husqvarna® PARTS LIST</b> | CHAIN SAW MODEL(s)<br><b>137 North America</b>                               |
| DATE<br><b>12/14/06</b>            | Replaces<br>1/11/06 - 530165247 |                              | <b>Note:</b> Illustration may differ from actual model due to design changes |



**⚠ WARNING**

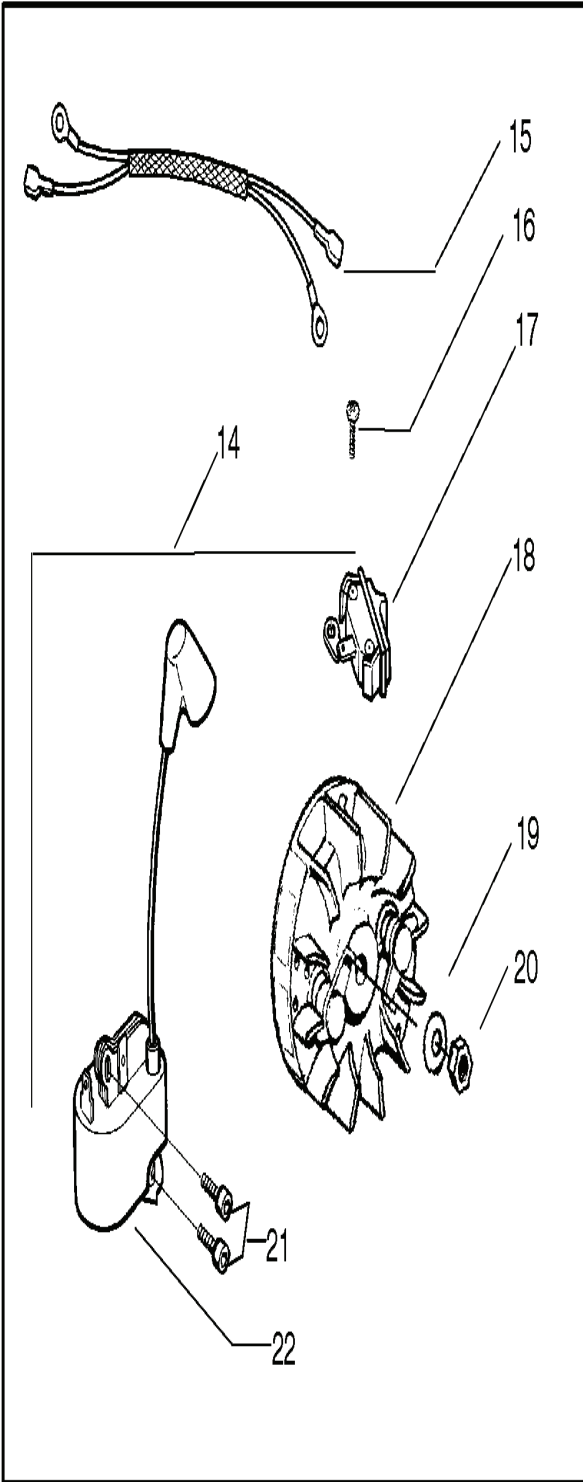
All repairs, adjustments and maintenance not described in the Operator's Manual must be performed by qualified service personnel.

## CHAIN SAWS

---

| PXM_REF | PXM_PARTNO | DESCRIPTION | PXM_REMARK | QTY. |
|---------|------------|-------------|------------|------|
| 1       | 530029813  | JET         |            | 1    |
| 2       | 530019203  | SEALING     |            | 1    |
| 3       | 530029814  | PIPE        |            | 1    |
| 4       | 530053435  | HOSE        |            | 1    |
| 5       | 530015814  | SCREW       |            | 1    |
| 6       | 530037465  | ADAPTER     |            | 1    |
| 7       | 530019172  | GASKET      |            | 1    |
| 8       | 530071987  | CARBURETTOR |            | 1    |
| 9       | 530035587  | PASSAGE     |            | 1    |
| 10      | 530047767  | SUPPORT     |            | 1    |
| 11      | 530015896  | SCREW       |            | 1    |
| 12      | 530036582  | HOLDER      |            | 1    |
| 13      | 530015968  | SCREW       |            | 1    |
| 14      | 530016008  | NUT         |            | 1    |
| 15      | 530029811  | AIR FILTER  |            | 1    |
| 16      | 530015899  | SCREW       |            | 1    |

|                                    |                                 |  |  |
|------------------------------------|---------------------------------|--|--|
| PARTS LIST NO.<br><b>530165247</b> |                                 |  <b>Husqvarna® PARTS LIST</b> | CHAIN SAW MODEL(s)<br><b>137 North America</b>                               |
| DATE<br><b>12/14/06</b>            | Replaces<br>1/11/06 - 530165247 |  | <b>Note:</b> Illustration may differ from actual model due to design changes |

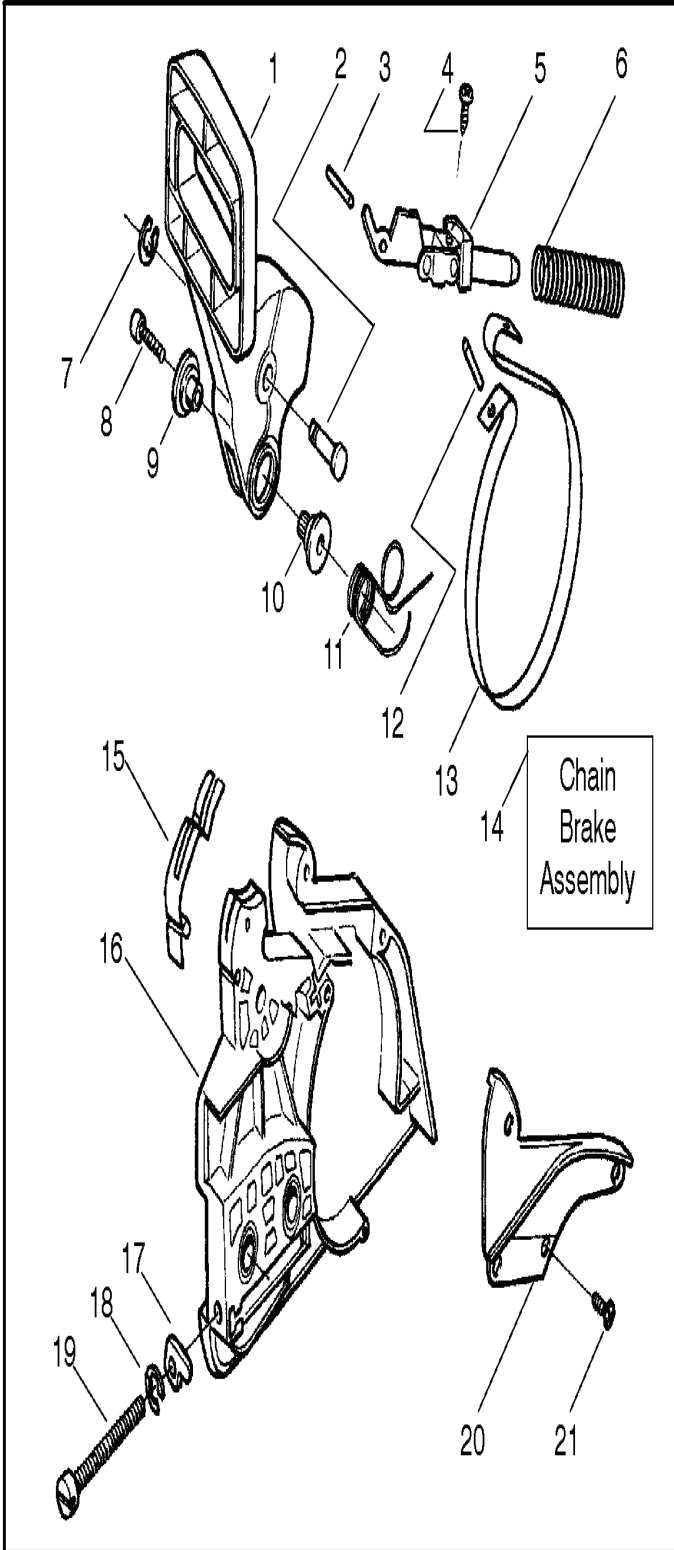


## CHAIN SAWS

---

| PXM_REF | PXM_PARTNO | DESCRIPTION     | PXM_REMARK | QTY. |
|---------|------------|-----------------|------------|------|
| 14      | 530071967  | IGNITION MODULE |            | 1    |
| 15      | 530403257  | CABLE           |            | 1    |
| 16      | 530015896  | SCREW           |            | 1    |
| 17      | 503717901  | STOP SWITCH     |            | 1    |
| 18      | 530059637  | FLYWHEEL ASSY   |            | 1    |
| 19      | 530015127  | WASHER          |            | 1    |
| 20      | 530016134  | NUT             |            | 1    |
| 21      | 545003902  | SCREW           |            | 1    |
| 22      | 530039239  | IGNITION MODULE |            | 1    |

|                                    |                                 |                              |  |
|------------------------------------|---------------------------------|------------------------------|--|
| PARTS LIST NO.<br><b>530165247</b> |                                 | <b>Husqvarna® PARTS LIST</b> | CHAIN SAW MODEL(s)<br><b>137 North America</b>                               |
| DATE<br><b>12/14/06</b>            | Replaces<br>1/11/06 - 530165247 |                              | <b>Note:</b> Illustration may differ from actual model due to design changes |



## CHAIN SAWS

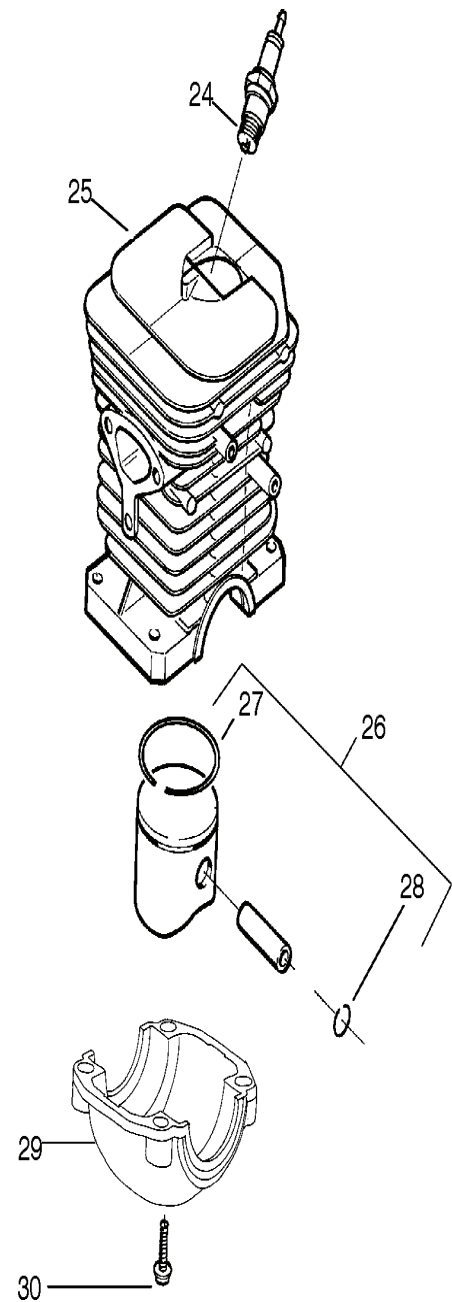
| PXM_REF | PXM_PARTNO | DESCRIPTION      | PXM_REMARK | QTY. |
|---------|------------|------------------|------------|------|
| 1       | 530071348  | LEVER            |            | 1    |
| 2       | 530029879  | SCREW            |            | 1    |
| 3       | 530015915  | SCREW            |            | 1    |
| 4       | 530015911  | SCREW            |            | 1    |
| 5       | 530054741  | KNEE LINK        |            | 1    |
| 6       | 530016237  | SPRING           |            | 1    |
| 7       | 530024419  | E-CLIP           |            | 1    |
| 8       | 530016384  | SCREW            |            | 1    |
| 9       | 530056531  | SHAFT PIVOT      |            | 1    |
| 10      | 530029881  | SHAFT PIVOT      |            | 1    |
| 11      | 530015910  | SPRING           |            | 1    |
| 12      | 530015913  | PEN              |            | 1    |
| 13      | 530052232  | BRAKE BAND       |            | 1    |
| 14      | 530054802  | CHAIN BRAKE ASSY |            | 1    |
| 15      | 530029878  | SPRING           |            | 1    |
| 16      | 530049483  | CLUTCH COVER     |            | 1    |
| 17      | 530015826  | PEN              |            | 1    |
| 18      | 530038593  | RETAINER         |            | 1    |
| 19      | 530016110  | SCREW            |            | 1    |
| 20      | 530053035  | COVER            |            | 1    |
| 21      | 530015911  | SCREW            |            | 1    |



|                                    |                                 |  |  |
|------------------------------------|---------------------------------|--|--|
| PARTS LIST NO.<br><b>530165247</b> |                                 |  <b>Husqvarna® PARTS LIST</b> | CHAIN SAW MODEL(s)<br><b>137 North America</b>                               |
| DATE<br><b>12/14/06</b>            | Replaces<br>1/11/06 - 530165247 |  | <b>Note:</b> Illustration may differ from actual model due to design changes |

 **WARNING**

All repairs, adjustments and maintenance not described in the Operator's Manual must be performed by qualified service personnel.



## CHAIN SAWS

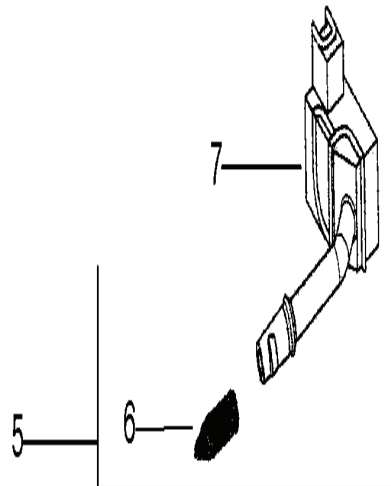
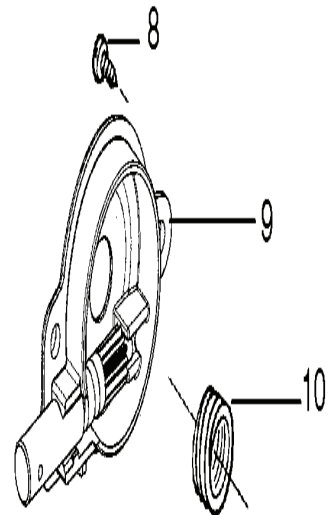
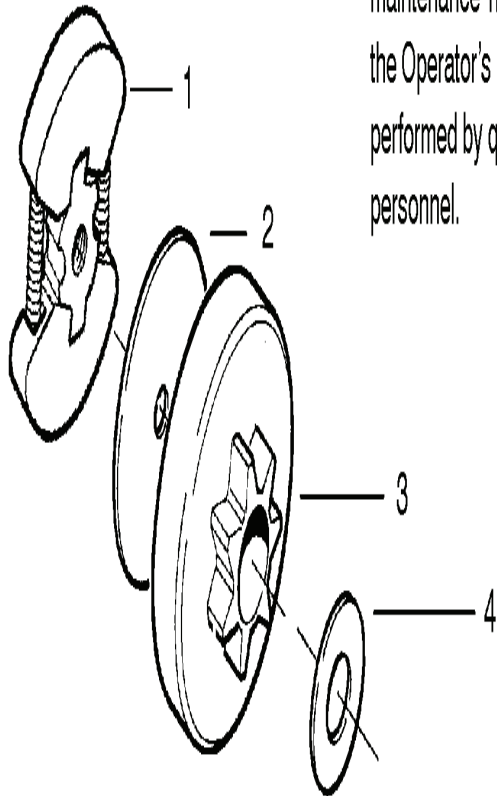
---

| PXM_REF   | PXM_PARTNO | DESCRIPTION  | PXM_REMARK | QTY. |
|-----------|------------|--------------|------------|------|
| 24        | 952030150  | SPARK PLUG   |            | 1    |
| 25        | 530069940  | CYLINDER     |            | 1    |
| 26        | 530069944  | PISTON       |            | 1    |
| 27        | 530029805  | PISTON RING  |            | 1    |
| 28        | 530015697  | LOCKING RING |            | 1    |
| 29        | 530049794  | CRANKCASE    |            | 1    |
| 30        | 530015897  | SCREW        |            | 1    |
| 530031135 | 530031135  | WRENCH       |            | 1    |
| 530047839 | 530047839  | DECAL        |            | 1    |

|  |                                 |                     |  |
|--|---------------------------------|---------------------|--|
| PARTS LIST NO.<br><b>530165247</b>   |                                 | <b>® PARTS LIST</b> | CHAIN SAW MODEL(s)<br><b>137 North America</b> |
| DATE<br><b>12/14/06</b>  | Replaces<br>1/11/06 - 530165247 |                     | PAGE NO. <b>3</b>                              |
| <b>Note:</b> Illustration may differ from actual model due to design changes |                                 |                     |  |

**! WARNING**

All repairs, adjustments and maintenance not described in the Operator's Manual must be performed by qualified service personnel.

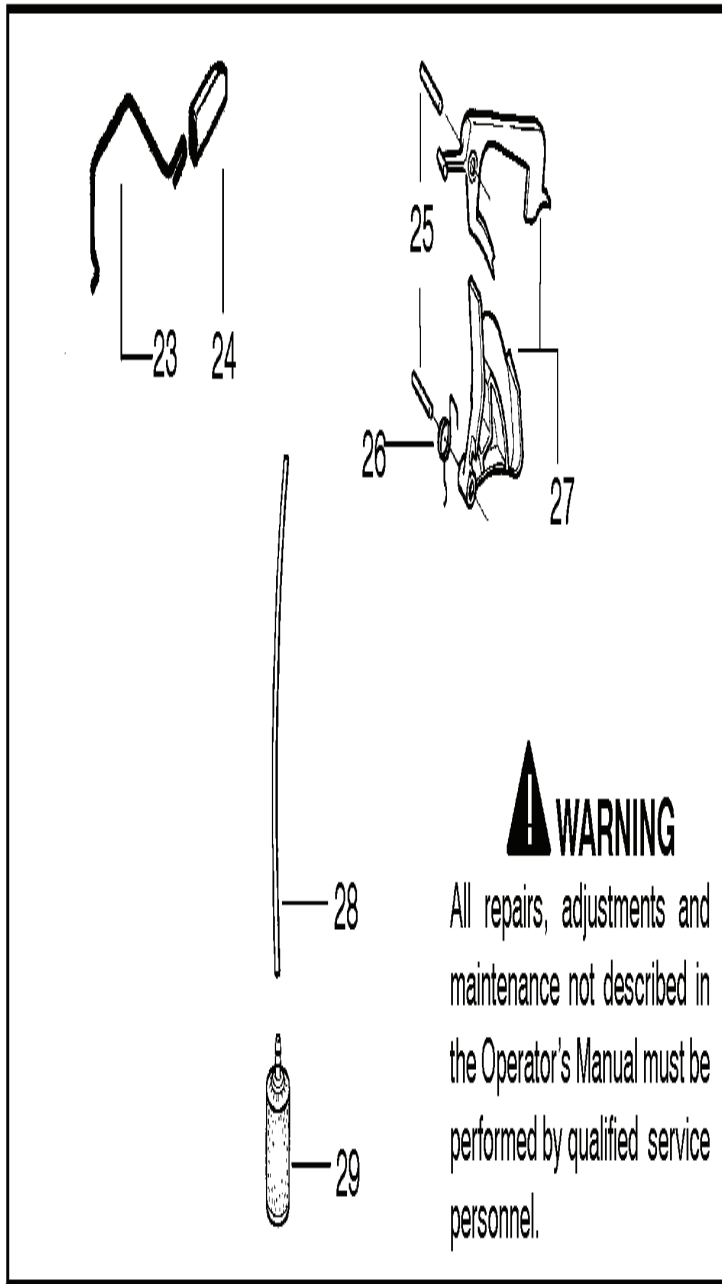


## CHAIN SAWS

---

| PXM_REF | PXM_PARTNO | DESCRIPTION      | PXM_REMARK | QTY. |
|---------|------------|------------------|------------|------|
| 1       | 530014949  | CLUTCH           |            | 1    |
| 2       | 530015611  | WASHER           |            | 1    |
| 3       | 530047061  | CLUTCH DRUM ASSY |            | 1    |
| 4       | 530015907  | WASHER           |            | 1    |
| 5       | 530014776  | OIL PICK-UP      |            | 1    |
| 6       | 530056533  | SCREEN           |            | 1    |
| 7       | 545037101  | SEALING          |            | 1    |
| 8       | 530015896  | SCREW            |            | 1    |
| 9       | 530014410  | OIL PUMP         |            | 1    |
| 10      | 530029833  | PUMP             |            | 1    |

|                                    |                                 |                              |   |
|------------------------------------|---------------------------------|------------------------------|---|
| PARTS LIST NO.<br><b>530165247</b> |                                 | <b>Husqvarna® PARTS LIST</b> | CHAIN SAW MODEL(s)<br><b>137 North America</b>                        |
| DATE<br><b>12/14/06</b>            | Replaces<br>1/11/06 - 530165247 |                              | NOTE: Illustration may differ from actual model due to design changes |

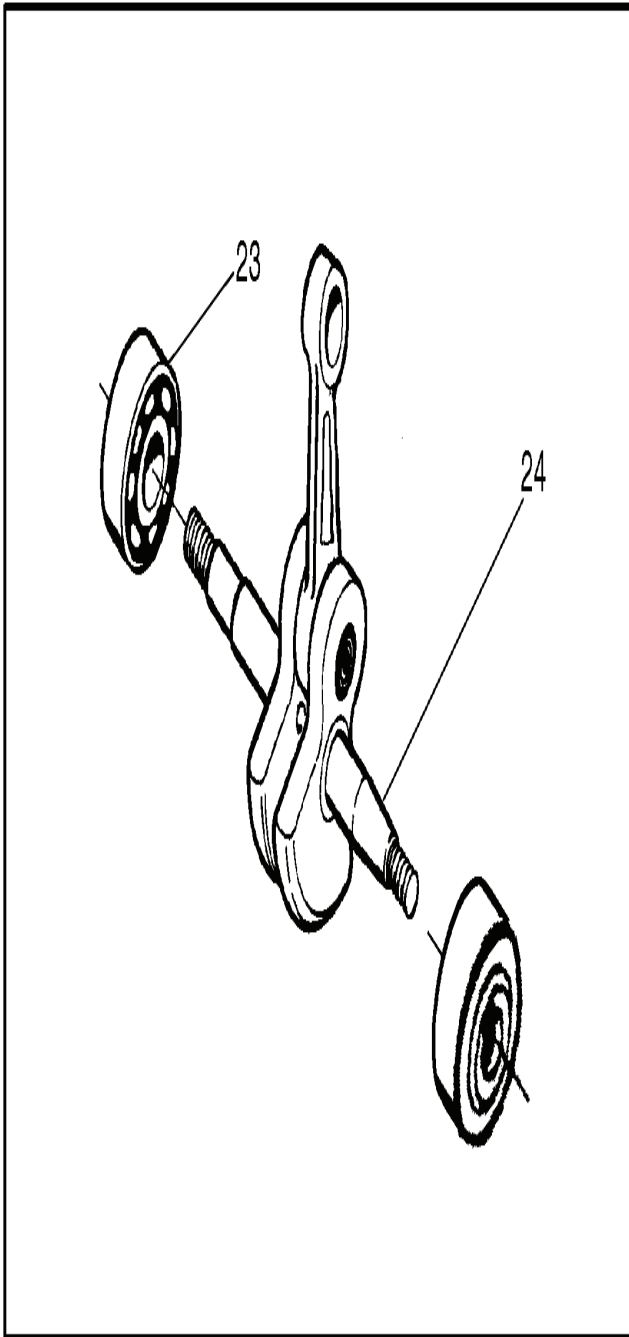


## CHAIN SAWS

---

| PXM_REF | PXM_PARTNO | DESCRIPTION      | PXM_REMARK | QTY. |
|---------|------------|------------------|------------|------|
| 23      | 530029869  | THROTTLE ROD     |            | 1    |
| 24      | 530029863  | HUB CAP          |            | 1    |
| 25      | 530029860  | SCREW            |            | 1    |
| 26      | 530029861  | SPRING           |            | 1    |
| 27      | 530069587  | THROTTLE TRIGGER |            | 1    |
| 28      | 530069247  | HOSE             |            | 1    |
| 29      | 530014497  | FILTER           |            | 1    |

|                                    |                                 |                              |  |
|------------------------------------|---------------------------------|------------------------------|--|
| PARTS LIST NO.<br><b>530165247</b> |                                 | <b>Husqvarna® PARTS LIST</b> | CHAIN SAW MODEL(s)<br><b>137 North America</b>                               |
| DATE<br><b>12/14/06</b>            | Replaces<br>1/11/06 - 530165247 |                              | <b>Note:</b> Illustration may differ from actual model due to design changes |



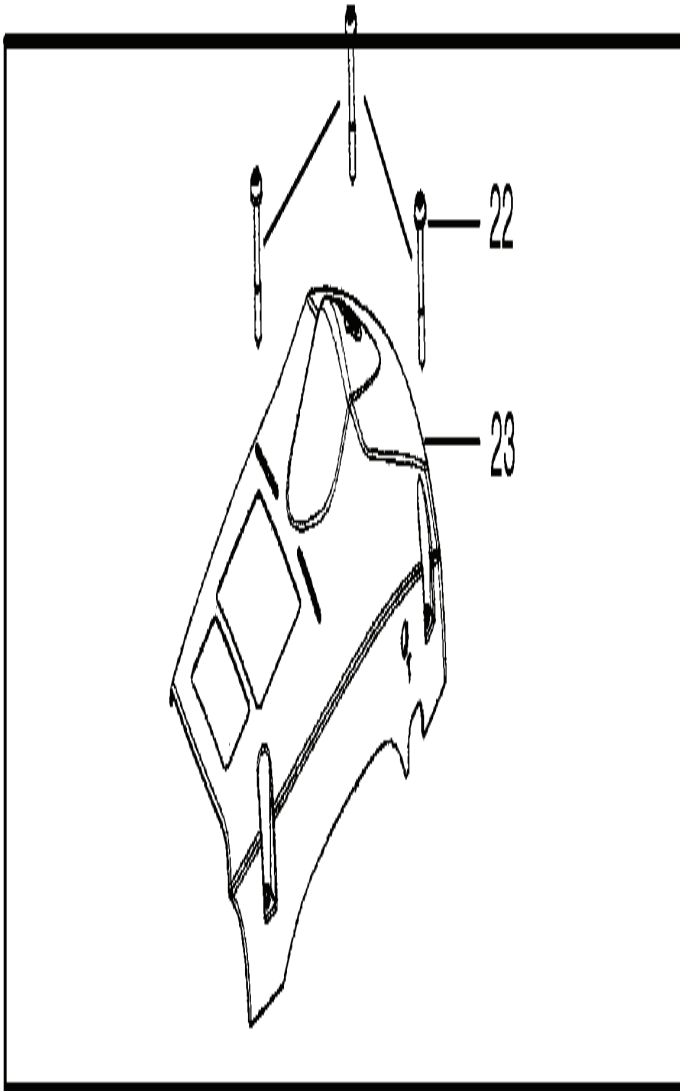
## CHAIN SAWS

---

| PXM_REF | PXM_PARTNO | DESCRIPTION | PXM_REMARK | QTY. |
|---------|------------|-------------|------------|------|
| 23      | 530056363  | BEARING     |            | 1    |
| 24      | 530029794  | CRANKSHAFT  |            | 1    |



|                                    |  |                              |   |
|------------------------------------|--|------------------------------|---|
| PARTS LIST NO.<br><b>530165247</b> |  | <b>Husqvarna® PARTS LIST</b> | CHAIN SAW MODEL(S)<br><b>137 North America</b>                        |
| DATE<br><b>12/14/06</b>            | Replaces<br><b>1/11/06 - 530165247</b> |                              | NOTE: Illustration may differ from actual model due to design changes |



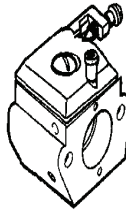
## CHAIN SAWS

---

| PXM_REF | PXM_PARTNO | DESCRIPTION    | PXM_REMARK | QTY. |
|---------|------------|----------------|------------|------|
| 22      | 530016154  | SCREW          |            | 1    |
| 23      | 530059960  | CYLINDER COVER |            | 1    |

|                                    |                                 |  |  |
|------------------------------------|---------------------------------|--|--|
| PARTS LIST NO.<br><b>530165247</b> |                                 |  <b>Husqvarna® PARTS LIST</b> | CHAIN SAW MODEL(s)<br><b>137 North America</b>                               |
| DATE<br><b>12/14/06</b>            | Replaces<br>1/11/06 - 530165247 |  | <b>Note:</b> Illustration may differ from actual model due to design changes |

**Kit - Carburetor Assembly No. 530071987 - Zama W-29**



Carb  
Repair  
Kit  
1

| Ref. | Part No.  | Description                  |
|------|-----------|------------------------------|
| 1.   | 530035269 | Kit-Carburetor Repair (Zama) |

 **WARNING**

All repairs, adjustments and maintenance not described in the Operator's Manual must be performed by qualified service personnel.

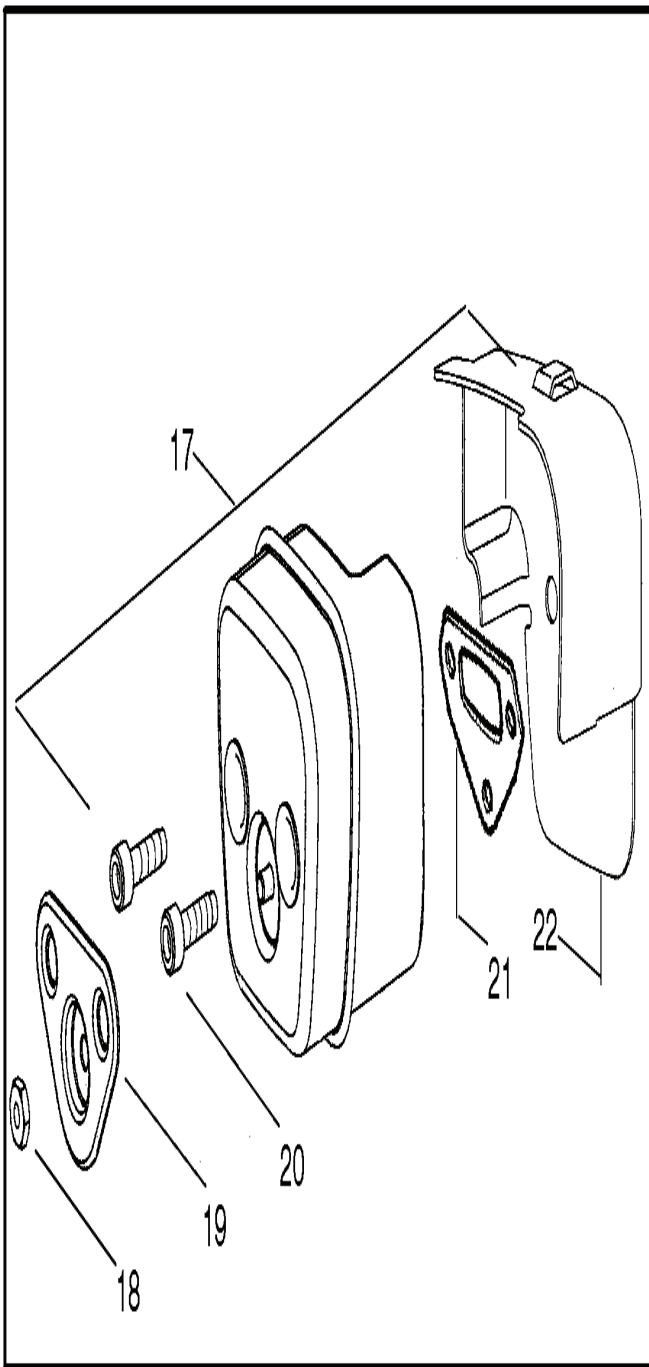
✓ = NEW PART NUMBER FOR THIS IPL    \* = REFER TO THE SERVICE REFERENCE INDICATED FOR MORE INFORMATION. (LOCATED AT END OF IPL)  
● = THESE PARTS ARE ILLUSTRATED FOR CLARITY. ORDER COMPLETE ASSEMBLY.

## CHAIN SAWS

---

| PXM_REF | PXM_PARTNO | DESCRIPTION | PXM_REMARK | QTY. |
|---------|------------|-------------|------------|------|
| 1       | 530035269  | REPAIR KIT  |            | 1    |

|                                    |                                 |                              |  |
|------------------------------------|---------------------------------|------------------------------|--|
| PARTS LIST NO.<br><b>530165247</b> |                                 | <b>Husqvarna® PARTS LIST</b> | CHAIN SAW MODEL(s)<br><b>137 North America</b>                               |
| DATE<br><b>12/14/06</b>            | Replaces<br>1/11/06 - 530165247 |                              | <b>Note:</b> Illustration may differ from actual model due to design changes |

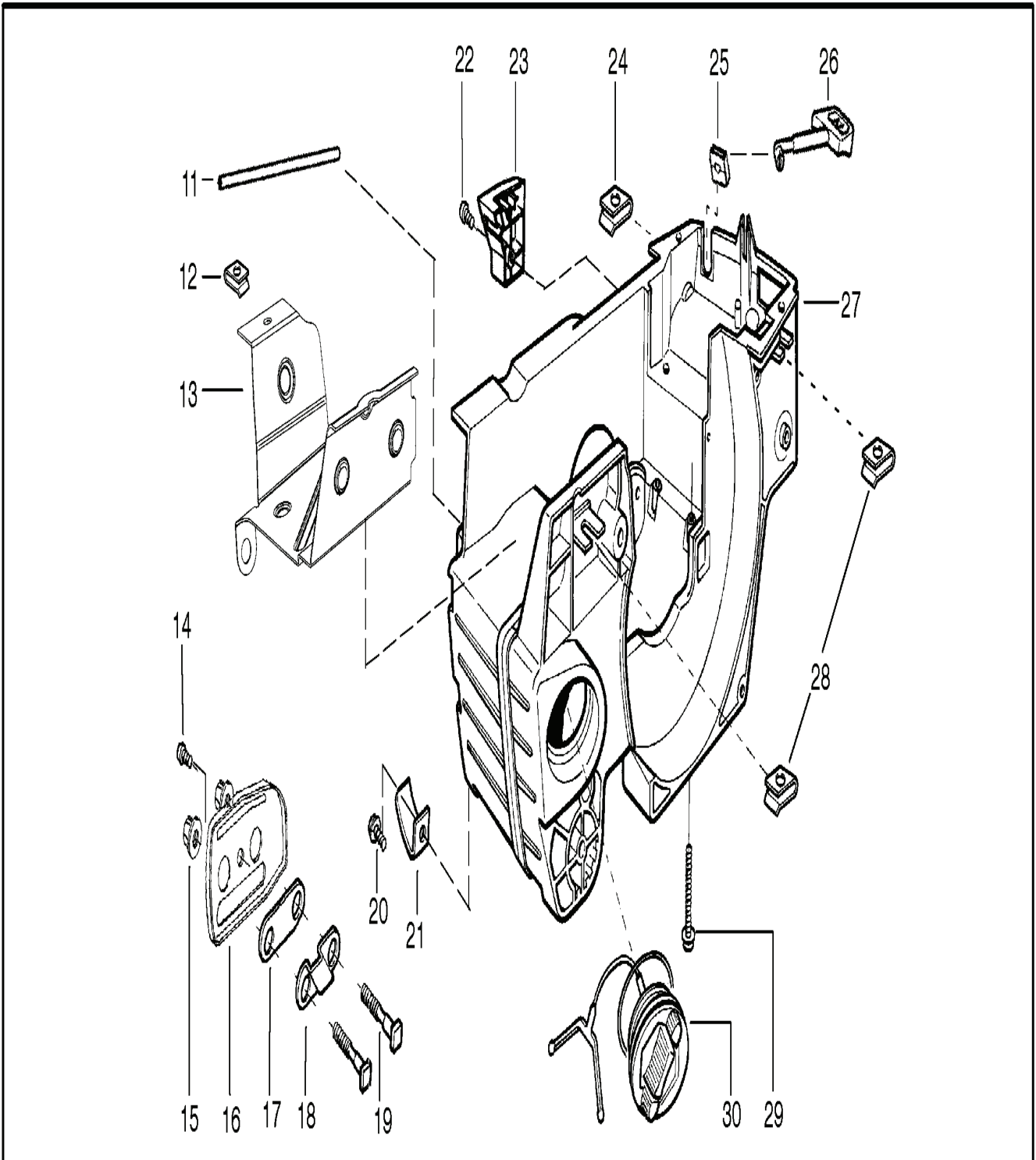


## CHAIN SAWS

---

| PXM_REF | PXM_PARTNO | DESCRIPTION | PXM_REMARK | QTY. |
|---------|------------|-------------|------------|------|
| 17      | 530071511  | SILENCER    |            | 1    |
| 18      | 530016359  | NUT         |            | 1    |
| 19      | 530055600  | WASHER      |            | 1    |
| 20      | 530016338  | BOLT        |            | 1    |
| 21      | 530055128  | GASKET      |            | 1    |
| 22      | 530055171  | COUVERCLE   |            | 1    |

|  |                                 |                     |  |
|--|---------------------------------|---------------------|--|
| PARTS LIST NO.<br><b>530165247</b>   |                                 | <b>® PARTS LIST</b> | CHAIN SAW MODEL(s)<br><b>137 North America</b> |
| DATE<br><b>12/14/06</b>  | Replaces<br>1/11/06 - 530165247 |                     | PAGE NO. <b>3</b>                              |
| <b>Note: Illustration may differ from actual model due to design changes</b> |                                 |                     |  |



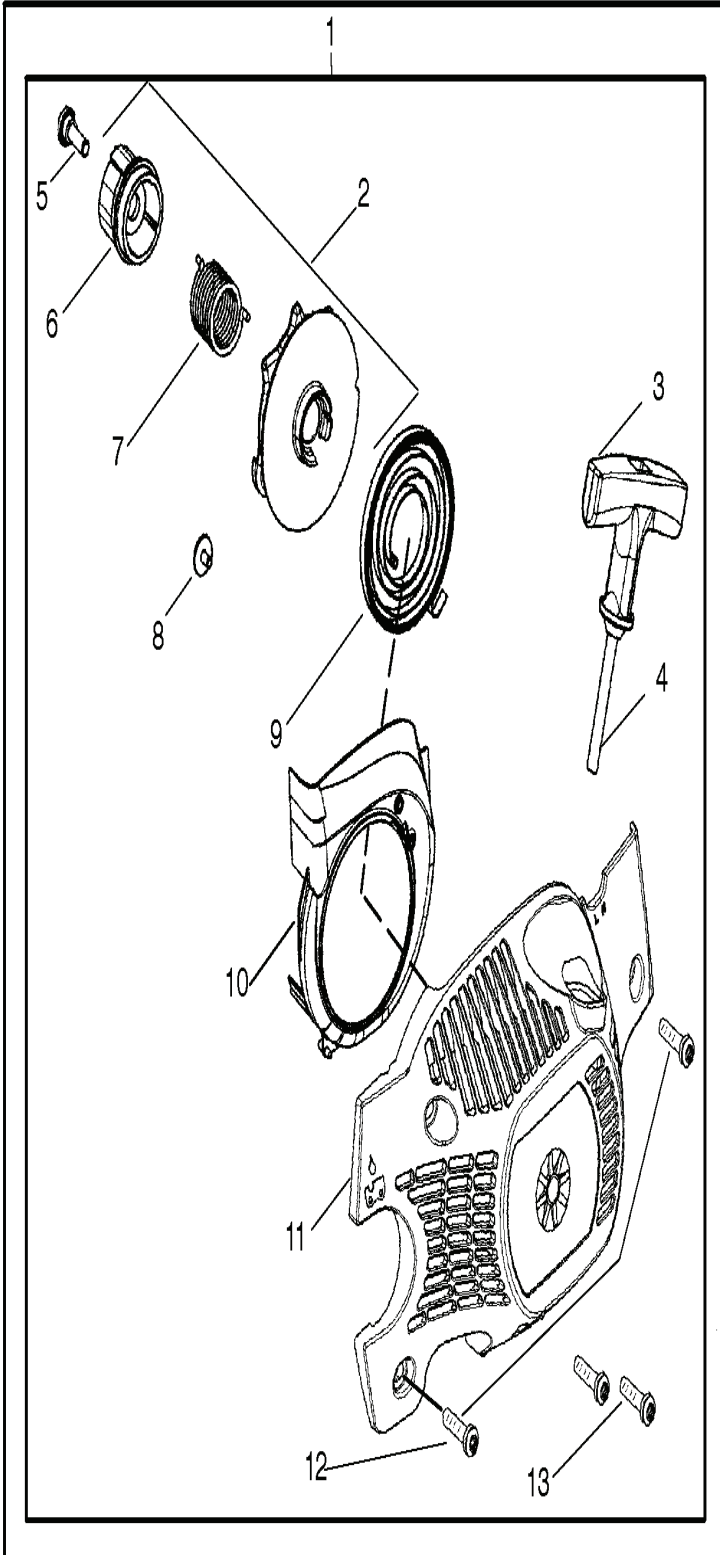
## CHAIN SAWS

---

| PXM_REF | PXM_PARTNO | DESCRIPTION   | PXM_REMARK | QTY. |
|---------|------------|---------------|------------|------|
| 11      | 545033501  | HOSE          |            | 1    |
| 12      | 530055322  | NUT           |            | 1    |
| 13      | 530055174  | PROTECTION    |            | 1    |
| 14      | 530015896  | SCREW         |            | 1    |
| 15      | 530015917  | NUT           |            | 1    |
| 16      | 530047855  | PLATE         |            | 1    |
| 17      | 530019228  | SEALING       |            | 1    |
| 18      | 530036043  | SUPPORT       |            | 1    |
| 19      | 530015877  | BOLT          |            | 1    |
| 20      | 530015878  | SCREW         |            | 1    |
| 21      | 530029850  | CHAIN CATCHER |            | 1    |
| 22      | 530015893  | SCREW         |            | 1    |
| 23      | 530052428  | COVER         |            | 1    |
| 24      | 530015922  | NUT           |            | 1    |
| 25      | 530029830  | GUIDE         |            | 1    |
| 26      | 530029831  | CHOKE CONTROL |            | 1    |
| 27      | 530071991  | CRANKCASE     |            | 1    |
| 28      | 530015922  | NUT           |            | 1    |
| 29      | 530016037  | SCREW         |            | 1    |
| 30      | 501765602  | TANK CAP ASSY |            | 1    |



|                                    |                                 |                              |   |
|------------------------------------|---------------------------------|------------------------------|---|
| PARTS LIST NO.<br><b>530165247</b> |                                 | <b>Husqvarna® PARTS LIST</b> | CHAIN SAW MODEL(s)<br><b>137 North America</b>                        |
| DATE<br><b>12/14/06</b>            | Replaces<br>1/11/06 - 530165247 |                              | NOTE: Illustration may differ from actual model due to design changes |

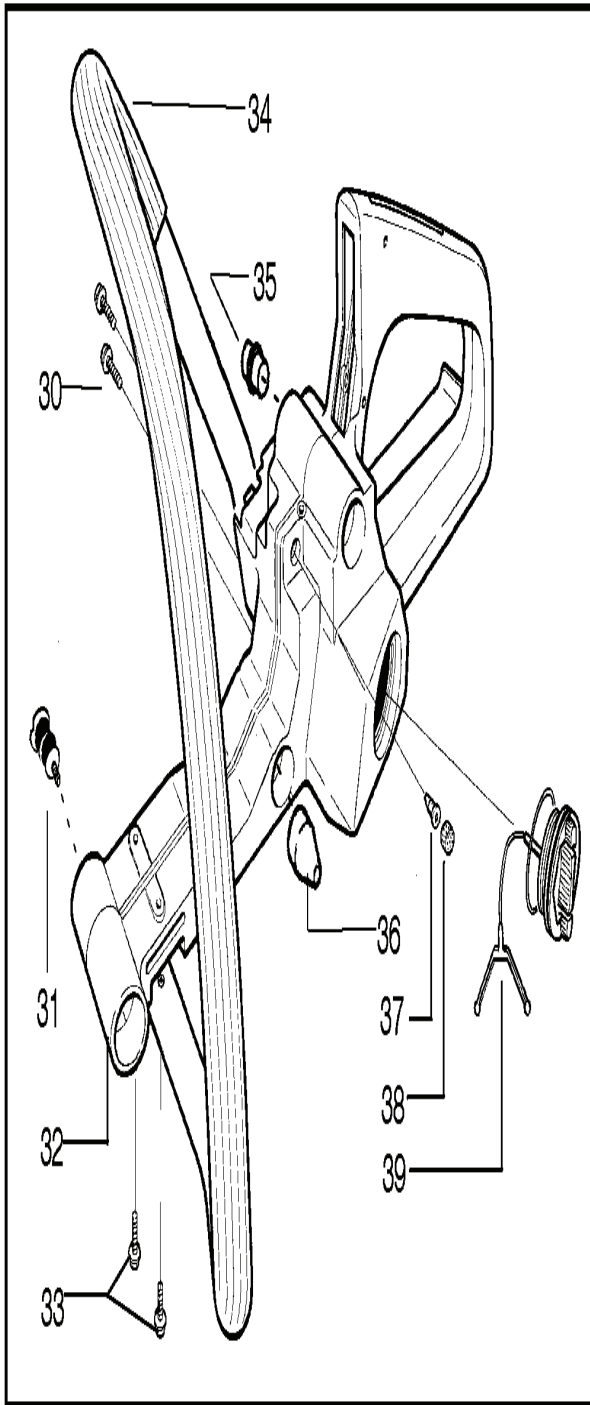


## CHAIN SAWS

---

| PXM_REF | PXM_PARTNO | DESCRIPTION    | PXM_REMARK | QTY. |
|---------|------------|----------------|------------|------|
| 1       | 530071968  | STARTER DEVICE |            | 1    |
| 2       | 530071966  | STARTER PULLEY |            | 1    |
| 3       | 530150318  | HANDLE         |            | 1    |
| 4       | 530069232  | STARTER ROPE   |            | 1    |
| 5       | 530021179  | SCREW          |            | 1    |
| 6       | 530059677  | SLEEVE         |            | 1    |
| 7       | 530021180  | SPRING         |            | 1    |
| 8       | 530016080  | SCREW          |            | 1    |
| 9       | 530042095  | SPRING         |            | 1    |
| 10      | 530059959  | BAFFLE         |            | 1    |
| 11      | 530059958  | STARTER        |            | 1    |
| 12      | 530015893  | SCREW          |            | 1    |
| 13      | 530015892  | SCREW          |            | 1    |

|                                    |                                 |                              |  |
|------------------------------------|---------------------------------|------------------------------|--|
| PARTS LIST NO.<br><b>530165247</b> |                                 | <b>Husqvarna® PARTS LIST</b> | CHAIN SAW MODEL(s)<br><b>137 North America</b>                               |
| DATE<br><b>12/14/06</b>            | Replaces<br>1/11/06 - 530165247 |                              | <b>Note:</b> Illustration may differ from actual model due to design changes |



## CHAIN SAWS

---

| PXM_REF | PXM_PARTNO | DESCRIPTION      | PXM_REMARK | QTY. |
|---------|------------|------------------|------------|------|
| 30      | 530015940  | SCREW            |            | 1    |
| 31      | 530029870  | INSULATOR        |            | 1    |
| 32      | 530055613  | FUEL TANK        |            | 1    |
| 33      | 530015843  | SCREW            |            | 1    |
| 34      | 530059961  | HANDLE           |            | 1    |
| 35      | 530052439  | MOVEMENT LIMITER |            | 1    |
| 36      | 530029984  | LIMITER          |            | 1    |
| 37      | 530026119  | CHECK VALVE      |            | 1    |
| 38      | 530038264  | PLUG             |            | 1    |
| 39      | 530071266  | FUEL CAP         |            | 1    |