

SPARE PARTS CATALOGUE
CHAIN SAWS: 242 XP[®] G CAT

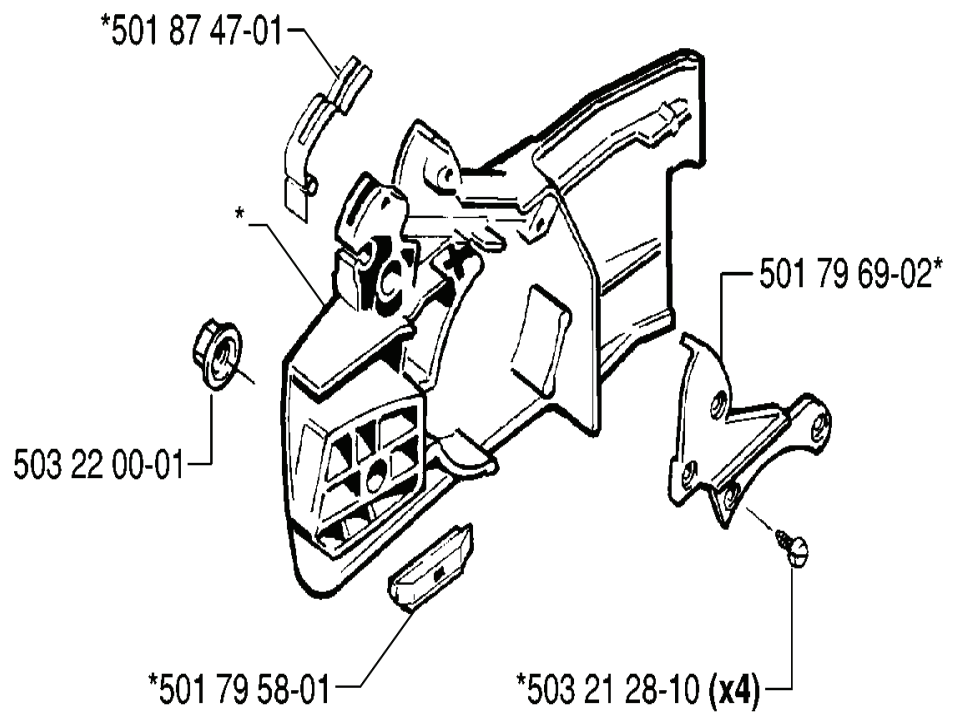
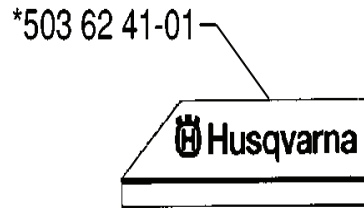
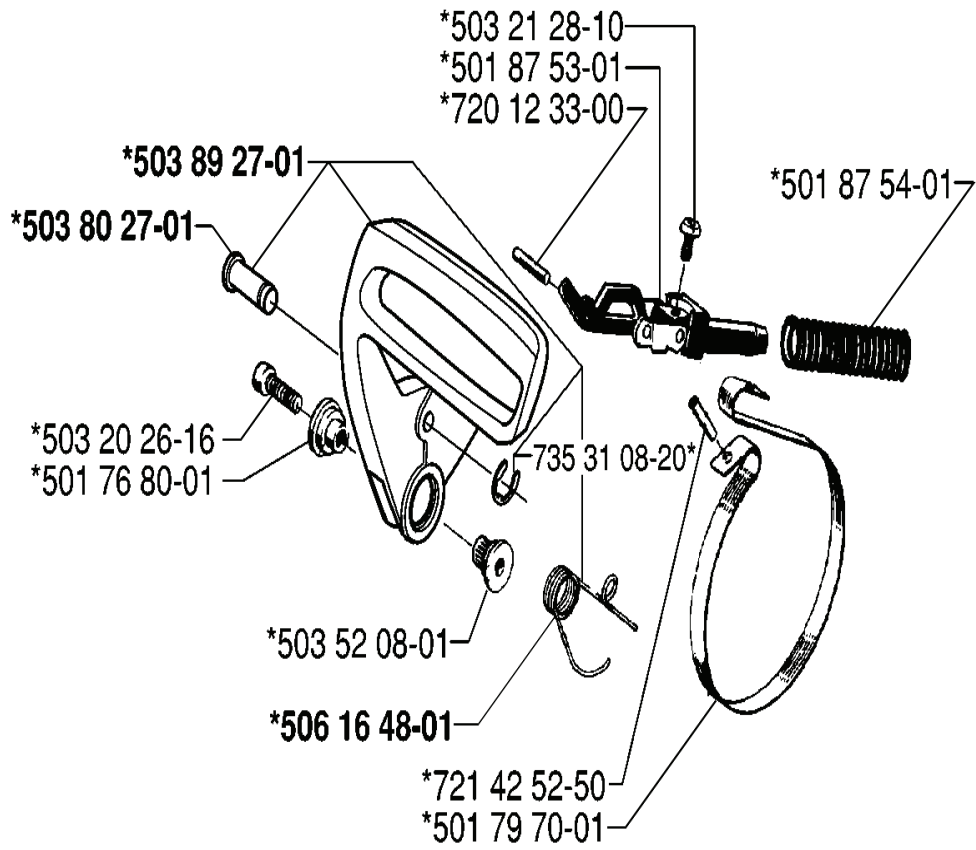
Spare Parts List

SPARE PARTS LIST

CHAIN SAWS

242 XP[®] G CAT

A *compl 501 79 67-08

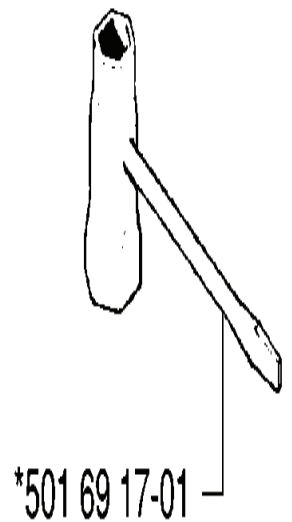
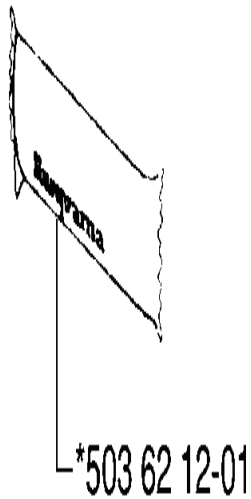
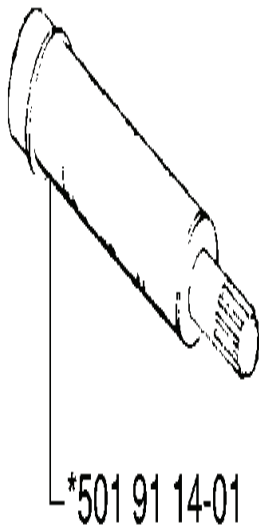
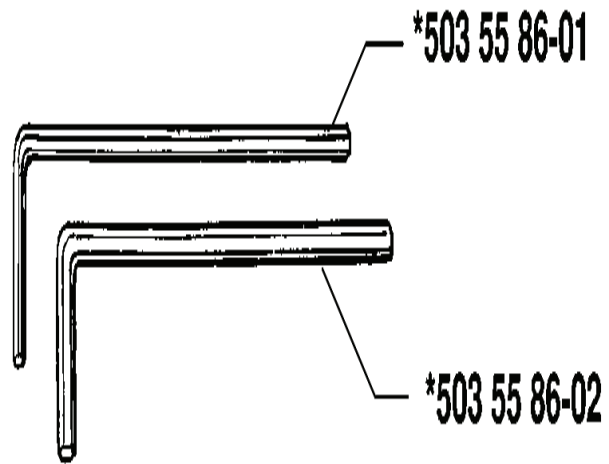


CHAIN SAWS

PXM_REF	PXM_PARTNO	DESCRIPTION	PXM_REMARK	QTY.
5017967-08	501796708	CLUTCH COVER ASSY		1
5038927-01	503892701	HAND GUARD		1
5038027-01	503802701	PIVOT PIN		1
5032026-16	503202616	SCREW IHSCM		1
5017680-01	501768001	SHAFT		1
5035208-01	503520801	SHAFT		1
5061648-01	506164801	POSITION SPRING		1
7214252-50	721425250	SPRING PIN		1
5017970-01	501797001	BRAKE BAND		1
5036241-01	503624101	LABEL		1
5018747-01	501874701	SPRING		1
5032200-01	503220001	HEXAGON NUT		1
5017958-01	501795801	CHAIN GUIDE		1
5032128-10	503212810	SCREW CCRPANT		4
5017969-02	501796902	HUB CAP		1
7353108-20	735310820	E-CLIP		1
5018754-01	501875401	BRAKE SPRING		1
7201233-00	720123300	PARALLEL PIN		1
5018753-01	501875301	KNEE JOINT ASSY		1

N *Compl 503 55 85-01

Tillbehör
Accessories
Zubehöre
Accessoires
Accesorios

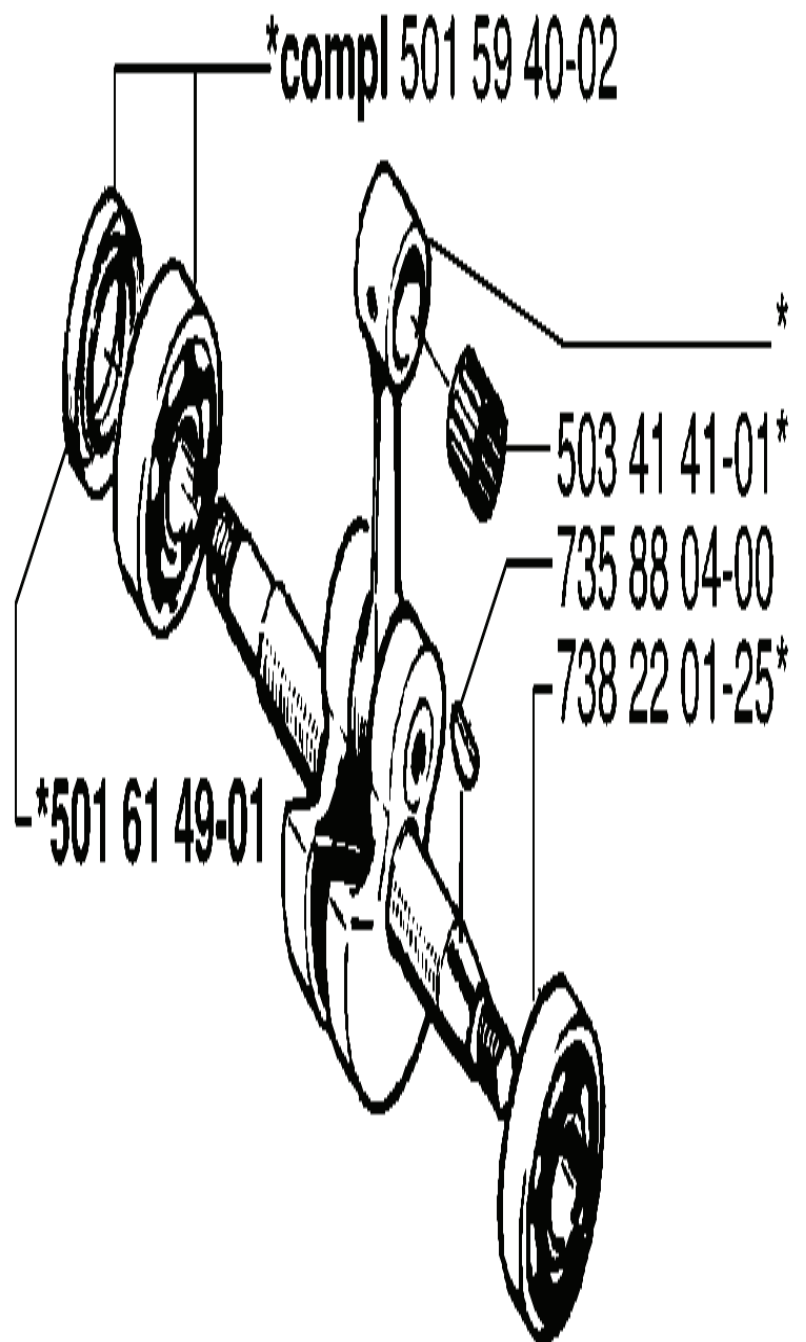


CHAIN SAWS

PXM_REF	PXM_PARTNO	DESCRIPTION	PXM_REMARK	QTY.
503 55 85-01	503558501	TOOL		1
501 91 14-01	501911401	GREASE GUN		1
503 62 12-01	503621201	GREASE		1
501 69 17-01	501691701	COMBINATION WRENCH		1
503 55 86-02	503558602	SPANNER		1
503 55 86-01	503558601	SPANNER		1

G

*compl 503 53 67-04 **Y**

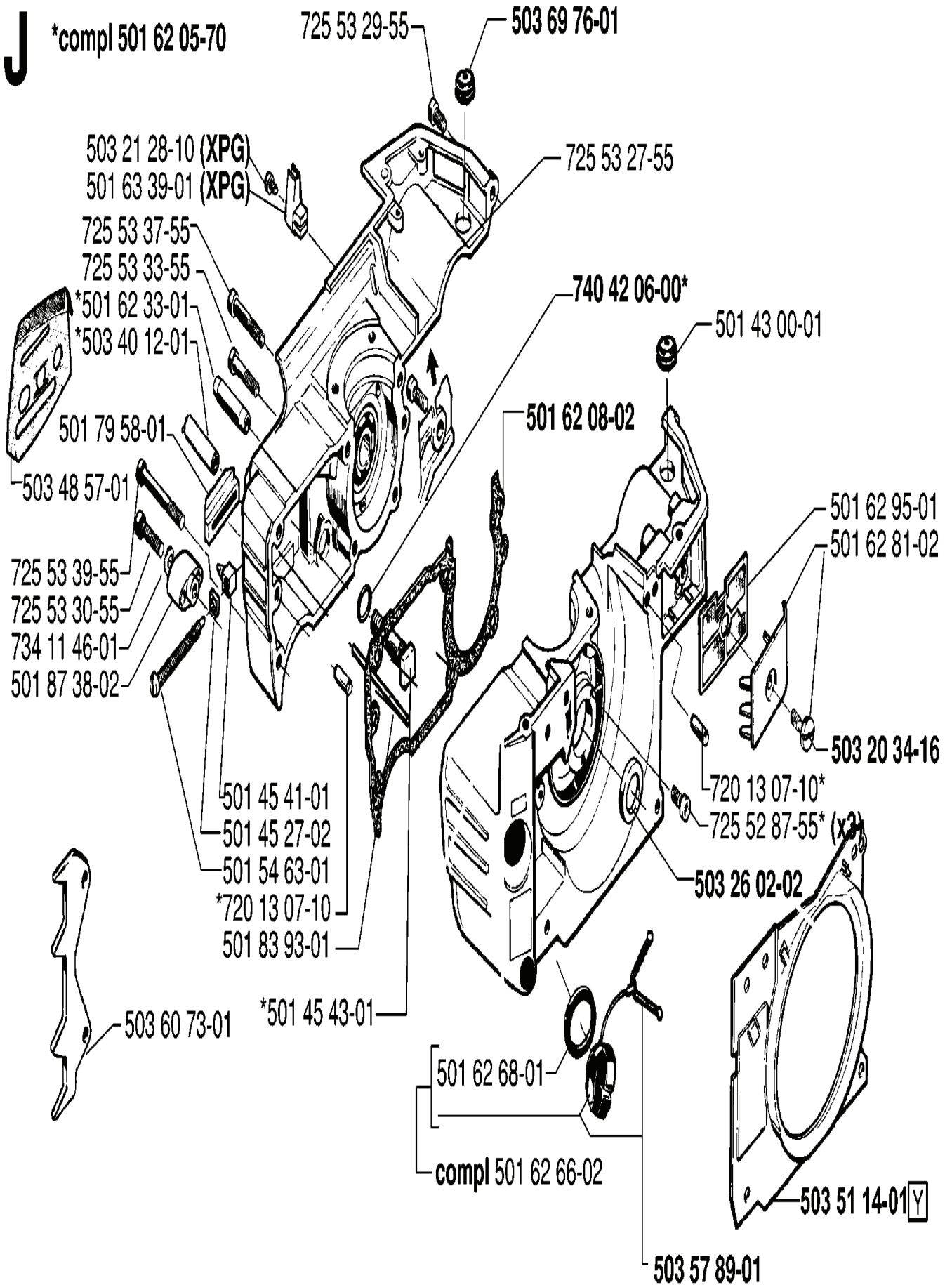


CHAIN SAWS

PXM_REF	PXM_PARTNO	DESCRIPTION	PXM_REMARK	QTY.
503 53 67-04	503536704	CRANKSHAFT		1
501 61 49-01	501614901	SEALING RING		1
738 22 01-25	738220125	BALL BEARING		1
735 88 04-00	735880400	WOODRUFF KEY		1
503 41 41-01	503414101	NEEDLE BEARING		1
501 59 40-02	501594002	BALL BEARING		1

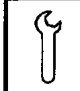
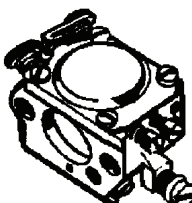
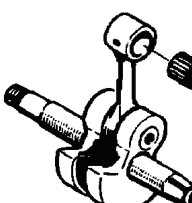

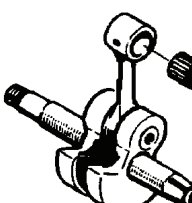

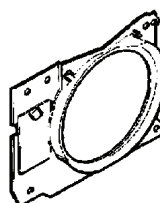
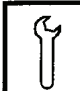

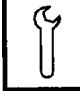
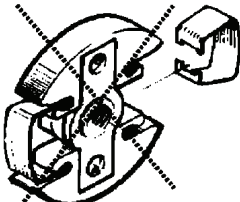

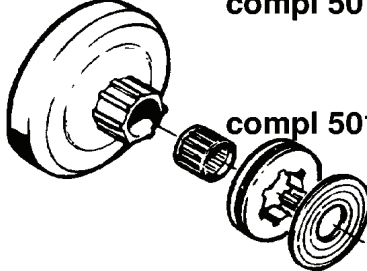
J

*compl 501 62 05-70



CHAIN SAWS

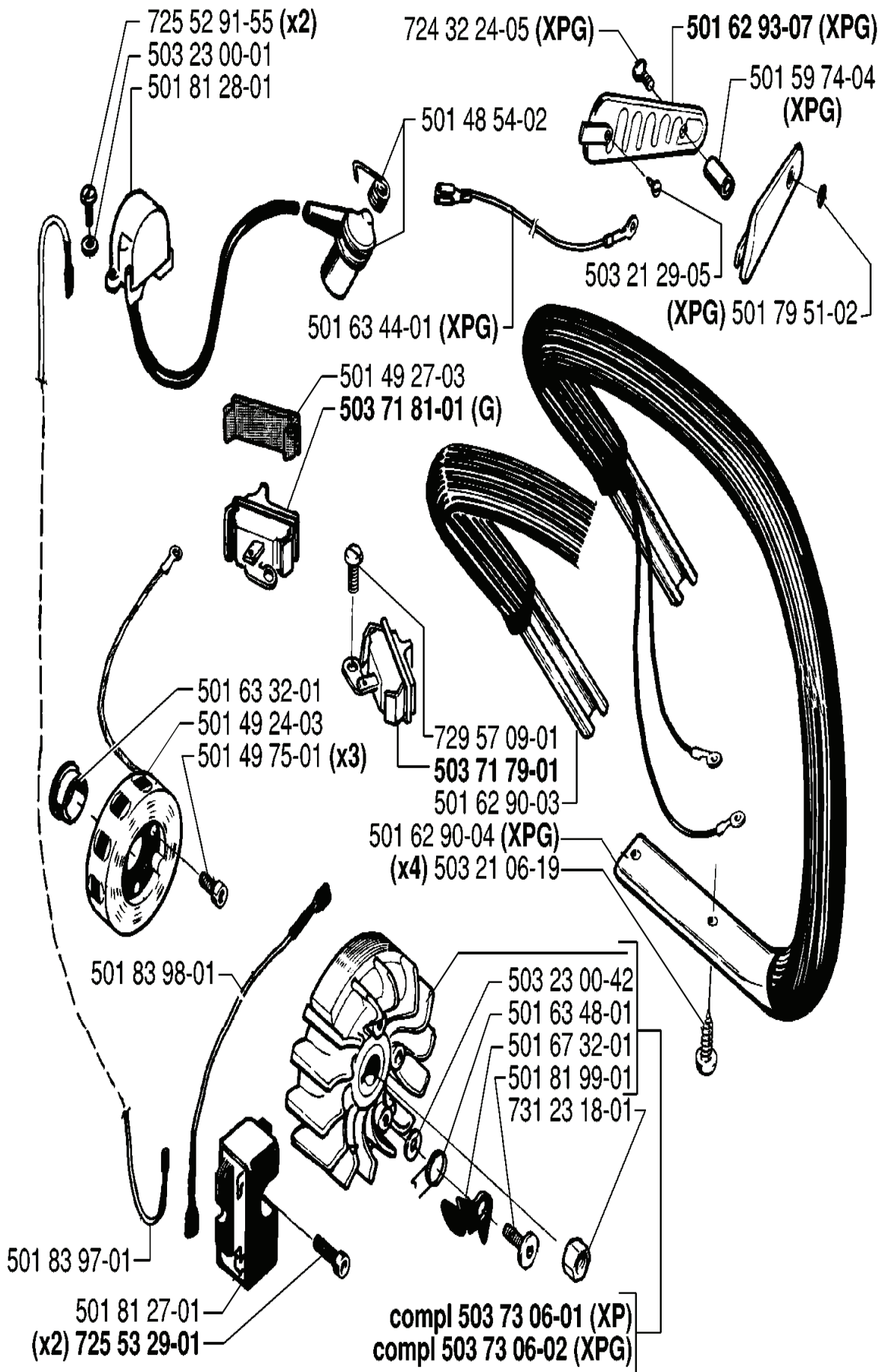
PXM_REF	PXM_PARTNO	DESCRIPTION	PXM_REMARK	QTY.
501 62 05-70	501620570	CRANKCASE ASSY		1
503 21 28-10	503212810	SCREW CCRPANT	XPG	1
501 63 39-01	501633901	INSULATING PIECE	XPG	1
725 53 37-55	725533755	SCREW IHSCM		1
725 53 33-55	725533355	SCREW IHSCM		1
501 62 33-01	501623301	SPRING PIN		1
503 40 12-01	503401201	SPRING PIN		1
501 79 58-01	501795801	CHAIN GUIDE		1
503 48 57-01	503485701	CHAIN GUIDE PLATE		1
725 53 39-55	725533955	SCREW IHSCM		1
725 53 30-55	725533055	SCREW		1
734 11 46-01	734114601	WASHER		1
501 87 38-02	501873802	CHAIN CATCHER		1
501 45 41-01	501454101	NUT		1
501 45 27-02	501452702	LOCK NUT		1
501 54 63-01	501546301	SCREW		1
720 13 07-10	720130710	PARALLEL PIN		1
501 83 93-01	501839301	OIL TANK VENT		1
503 60 73-01	503607301	SPIKE		1
501 45 43-01	501454301	BAR BOLT		1
725 53 29-55	725532955	SCREW IHSCM		1
501 62 08-02	501620802	GASKET		1
501 62 68-01	501626801	GASKET		1
501 62 66-02	501626602	TANK		1
503 57 89-01	503578901	HOLDER		1
503 51 14-01	503511401	BAR		1
503 26 02-02	503260202	SEALING RING		1
725 52 87-55	725528755	SCREW IHSCM		1
503 20 34-16	503203416	SCREW CCRPANMO		1
501 62 81-02	501628102	HUB CAP		1
501 62 95-01	501629501	PREFILTER ASSY		1
501 43 00-01	501430001	CABLE GROMMET		1
740 42 06-00	740420600	O-RING		1
725 53 27-55	725532755	SCREW IHSCM		1
503 69 76-01	503697601	GROMMET		1

Y  <table border="1" data-bbox="255 414 391 504"> <tr> <td style="text-align: center;">4</td> </tr> <tr> <td> </td> </tr> </table>	4			HDA 34 503 17 32-01	Serial number: SE ≥ 924 0189 SG ≥ 923 0112 (1989)
	4				
	HDA 84 503 28 10-17	Serial number: SE ≥ 024 0114 (1990) SG ≥ 031 0100			
 <table border="1" data-bbox="255 728 391 817"> <tr> <td style="text-align: center;">1</td> </tr> <tr> <td> </td> </tr> </table>	1			503 53 67-01 503 53 67-02	Serial number: SE ≥ 013 0391 (1990) SG ≥ 013 0000 Serial number: (1994) XP ≥ 413 0001 XPG ≥ 411 0001
1					
 <table border="1" data-bbox="255 1019 391 1108"> <tr> <td style="text-align: center;">6</td> </tr> <tr> <td> </td> </tr> </table>	6			501 63 15-02	Serial number: (1991) ≥ 105 0443
6					
 <table border="1" data-bbox="255 1332 391 1422"> <tr> <td style="text-align: center;">4</td> </tr> <tr> <td> </td> </tr> </table>	4			501 79 52-01	Serial number: XP ≥ 117 0210 (1991) XPG ≥ 118 0258
4					
 <table border="1" data-bbox="255 1646 391 1736"> <tr> <td style="text-align: center;">1</td> </tr> <tr> <td> </td> </tr> </table>	1			501 63 60-03	Serial number: XP ≥ 123 0179 (1991) XPG ≥ 131 0049
1					
 <table border="1" data-bbox="255 1960 391 2049"> <tr> <td style="text-align: center;">7</td> </tr> <tr> <td> </td> </tr> </table>	7			compl 501 63 66-02 compl 501 63 66-03	Serial number: XP ≥ 344 1001 (1993) XPG ≥ 343 0004 XP ≥ 607 0001 (1996) XPG ≥ 607 0001
7					

CHAIN SAWS

PXM_REF	PXM_PARTNO	DESCRIPTION	PXM_REMARK	QTY.
503 17 32-01	503173201	CARBURETTOR	HDA 34 SERIAL NUMBER: SE GREATER THAN OR EQUAL TO 924 0189 SG GREATER THAN OR EQUAL TO 923 0112 (1989)	1
503 28 10-17	503281017	CARBURETTOR	HDA 84 SERIAL NUMBER: SE GREATER THAN OR EQUAL TO 024 0114 SG GREATER THAN OR EQUAL TO 031 0100 (1990)	1
503 53 67-01	503536701	CRANKSHAFT	SERIAL NUMBER: SE GREATER THAN OR EQUAL TO 013 0391 SG GREATER THAN OR EQUAL TO 013 0000 (1990)	1
503 53 67-02	503536702	CRANKSHAFT	SERIAL NUMBER: XP GREATER THAN OR EQUAL TO 413 0001 XPG GREATER THAN OR EQUAL TO 411 0001 (1994)	1
501 63 15-02	501631502	LEDSKENA KYLLUFT	SERIAL NUMBER: GREATER THAN OR EQUAL OR 105 0443 (1991)	1
501 79 52-01	501795201	HOSE	SERIAL NUMBER: XP GREATER THAN OR EQUAL TO 117 0210 XPG GREATER THAN OR EQUAL TO 118 0258 (1991)	1
501 63 60-03	501636003	CLUTCH ASSY	SERIAL NUMBER: XP GREATER THAN OR EQUAL TO 123 0179 XPG GREATER THAN OR EQUAL TO 131 0049 (1991)	1
501 63 66-02	501636602	CLUTCH DRUM ASSY	SERIAL NUMBER: XP GREATER THAN OR EQUAL TO 344 1001 XPG GREATER THAN OR EQUAL TO 343 0004 (1993)	1
501 63 66-03	501636603	CLUTCH DRUM ASSY	XP GREATER THAN OR EQUAL TO 607 0001 XPG GREATER THAN OR EQUAL TO 607 0001 (1996)	1

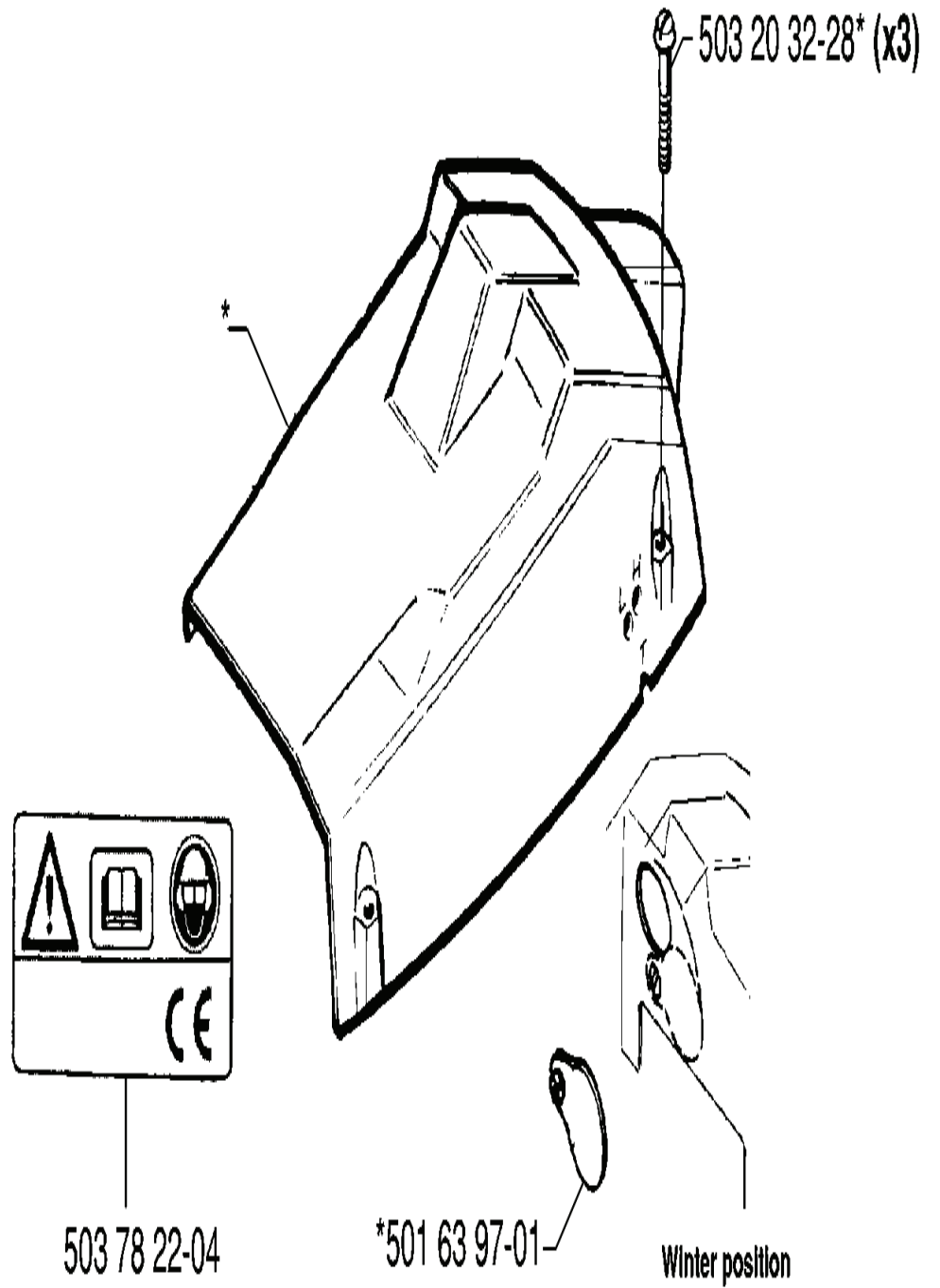
K



CHAIN SAWS

PXM_REF	PXM_PARTNO	DESCRIPTION	PXM_REMARK	QTY.
725 52 91-55	725529155	SCREW IHSCM		2
503 23 00-01	503230001	WASHER		1
501 81 28-01	501812801	IGNITION COIL		1
501 63 32-01	501633201	GUIDE BUSHING		1
501 49 24-03	501492403	GENERATOR		1
501 49 75-01	501497501	SCREW		3
501 83 98-01	501839801	CABLE		1
501 83 97-01	501839701	WIRE		1
501 81 27-01	501812701	MODULE		1
725 53 29-01	725532901	SCREW IHSCM		2
503 73 06-02	503730602	FLYWHEEL ASSY	XPG	1
503 73 06-01	503730601	FLYWHEEL ASSY	XP	1
731 23 18-01	731231801	HEXAGON NUT		1
501 81 99-01	501819901	SCREW		1
501 67 32-01	501673201	PAWL		1
501 63 48-01	501634801	SPRING		1
503 23 00-42	503230042	WASHER		1
503 21 06-19	503210619	SCREW IHSCM		4
501 62 90-04	501629004	FRONT HANDLE ASSY	XPG	1
501 62 90-03	501629003	FRONT HANDLE ASSY		1
503 71 79-01	503717901	STOP SWITCH		1
729 57 09-01	729570901	SCREW CCRPANT		1
503 71 81-01	503718101	SWITCH	G	1
501 49 27-03	501492703	COVER		1
501 63 44-01	501634401	CABLE	XPG	1
501 48 54-02	501485402	SPARK PLUG CAP		1
724 32 24-05	724322405	SCREW CRCSFM	XPG	1
503 21 29-05	503212905	SCREW CCRPANT		1
501 79 51-02	501795102	COVER WASHER	XPG	1
501 59 74-04	501597404	SPACER	XPG	1
501 62 93-07	501629307	HANDLE INSERT	XPG	1

B *compl 503 45 59-01
*compl 503 45 59-06 (USA)



CHAIN SAWS

PXM_REF	PXM_PARTNO	DESCRIPTION	PXM_REMARK	QTY.
503 45 59-01	503455901	CYLINDER COVER ASSY		1
503 45 59-06	503455906	CYLINDER COVER ASSY	USA	1
503 78 22-04	503782204	LABEL		1
501 63 97-01	501639701	COVER		1
503 20 32-28	503203228	SCREW		3

E

***compl 501 83 88-03**

***503 41 39-02**

***720 12 40-20**

***503 41 38-02**

***720 12 42-20**

Y 503 57 76-01

503 44 32-01

503 48 45-01 (XP)

503 08 46-01*

501 62 98-01

compl 501 87 31-01

501 83 56-01

725 53 23-05

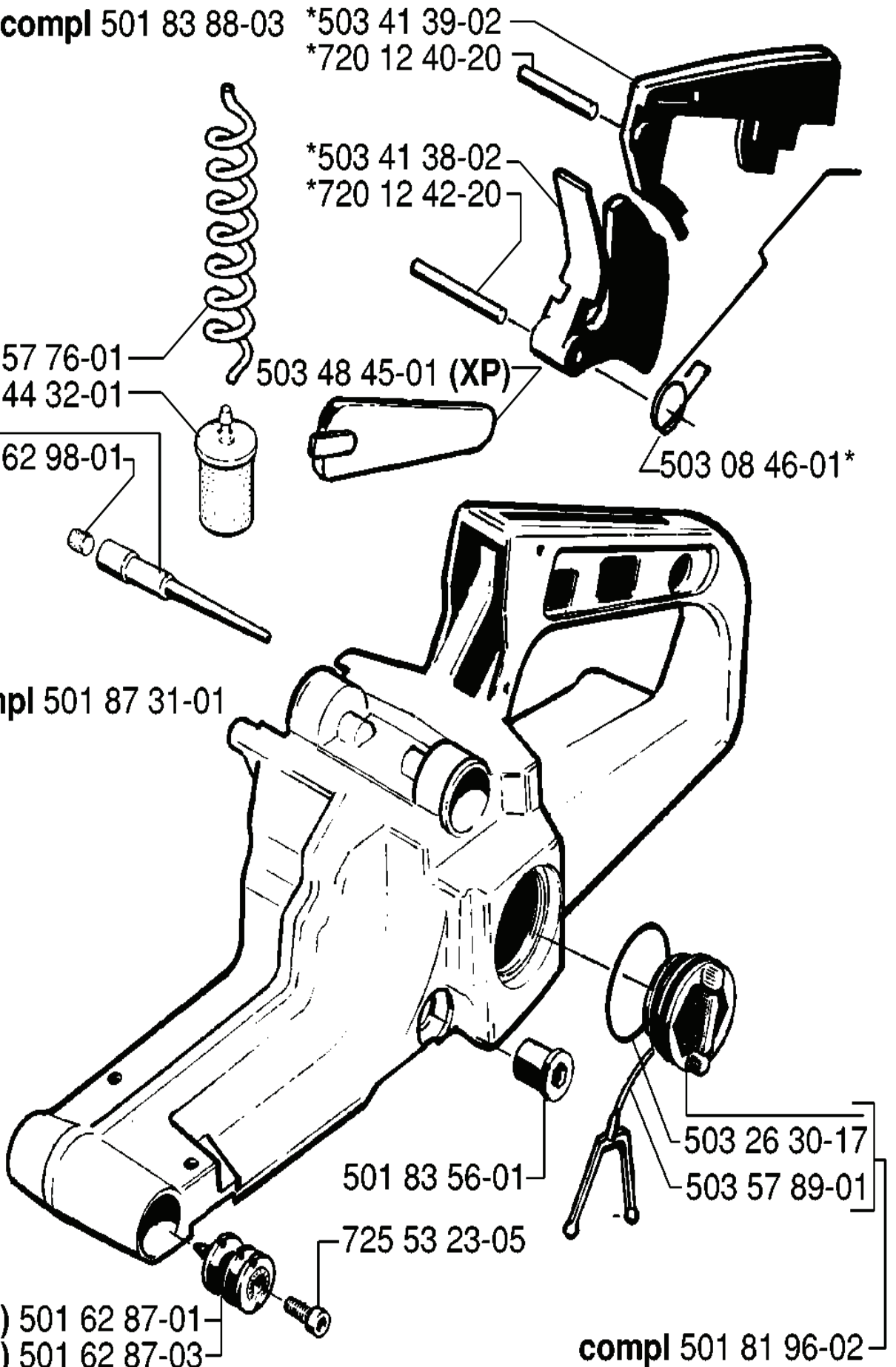
503 26 30-17

503 57 89-01

(HARD) 501 62 87-01

(SOFT) 501 62 87-03

compl 501 81 96-02



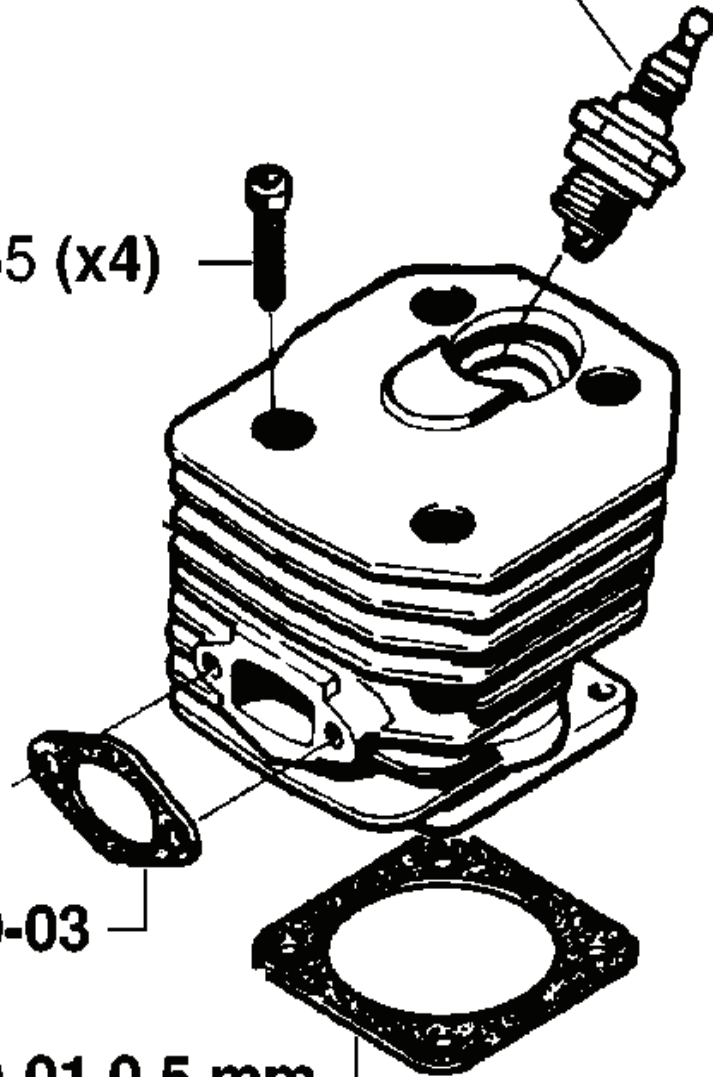
CHAIN SAWS

PXM_REF	PXM_PARTNO	DESCRIPTION	PXM_REMARK	QTY.
501 83 88-03	501838803	FUEL TANK ASSY		1
503 57 76-01	503577601	FUEL HOSE		1
503 44 32-01	503443201	FUEL FILTER		1
501 62 98-01	501629801	VALVE PLUG		1
501 87 31-01	501873101	TANK VENT ASSY		1
501 62 87-01	501628701	ANTIVIBRATION ELEMENT	HARD	1
501 62 87-03	501628703	ANTIVIBRATION ELEMENT	SOFT	1
725 53 23-05	725532305	SCREW IHSCM		1
501 83 56-01	501835601	ANTIVIBRATION ELEMENT		1
501 81 96-02	501819602	TANK CAP ASSY		1
503 57 89-01	503578901	HOLDER		1
503 26 30-17	503263017	O-RING		1
503 08 46-01	503084601	RECOIL SPRING		1
503 48 45-01	503484501	HANDLE INSERT	XP	1
720 12 42-20	720124220	PARALLEL PIN		1
503 41 38-02	503413802	THROTTLE LEVER		1
720 12 40-20	720124020	PARALLEL PIN		1
503 41 39-02	503413902	THROTTLE LOCKOUT		1

C *compl 503 53 68-02

503 23 51-08
RCJ7Y

725 53 32-55 (x4)



□ 501 86 60-03

□ 503 72 99-01 0,5 mm
503 72 99-02
(Asien) 1,0 mm

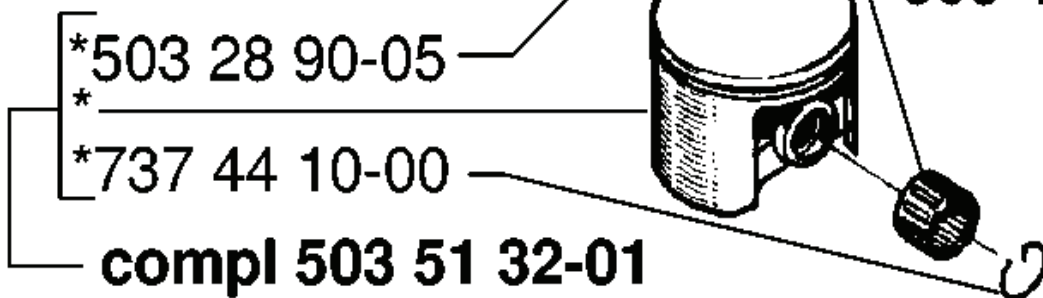
*503 28 90-05

*

*737 44 10-00

compl 503 51 32-01

503 41 41-01*

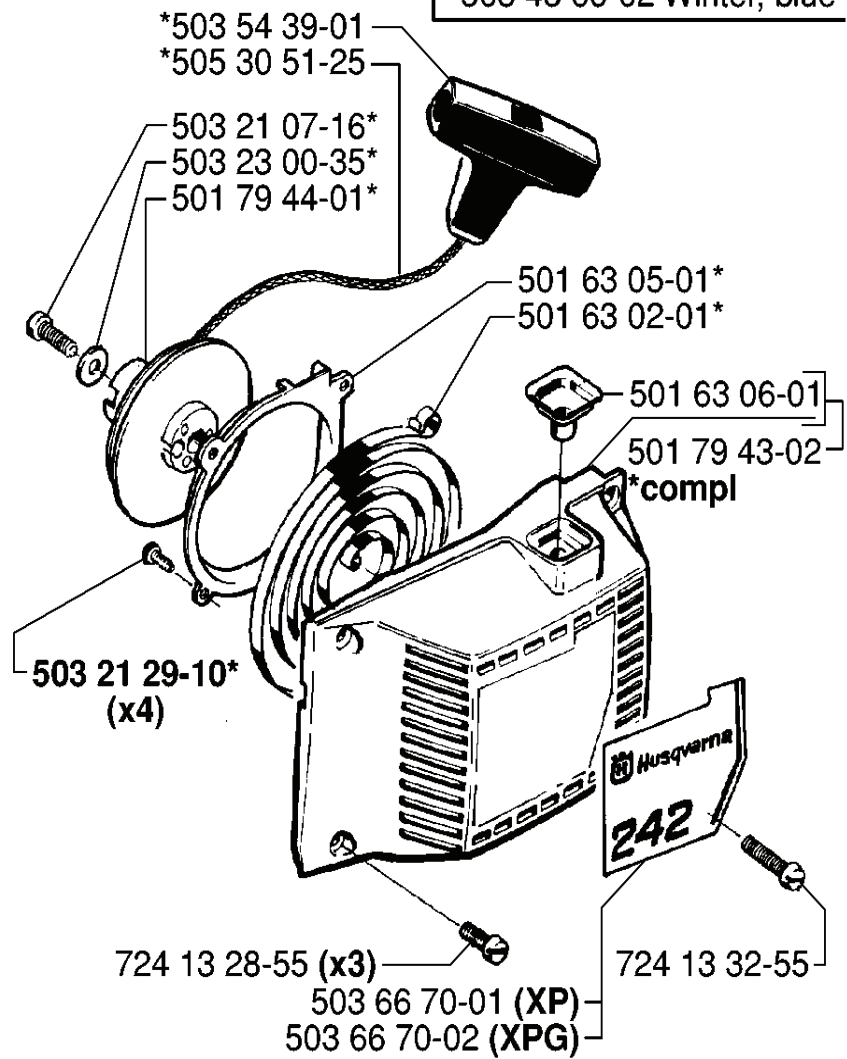
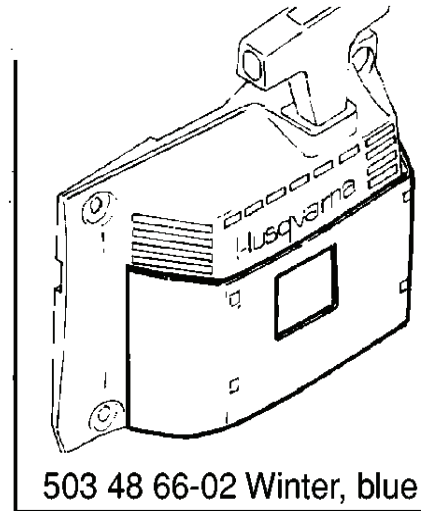


CHAIN SAWS

PXM_REF	PXM_PARTNO	DESCRIPTION	PXM_REMARK	QTY.
503 53 68-02	503536802	CYLINDER ASSY		1
725 53 32-55	725533255	SCREW		4
501 86 60-03	501866003	GASKET		1
503 72 99-01	503729901	GASKET	0.5 MM	1
503 72 99-02	503729902	GASKET	(ASIEN) 1.0 MM	1
503 28 90-05	503289005	PISTON RING		1
737 44 10-00	737441000	SNAP RING		1
503 51 32-01	503513201	PISTON ASSY		1
503 41 41-01	503414101	NEEDLE BEARING		1
503 23 51-08	503235108	SPARK PLUG	RCJ7Y	1

L

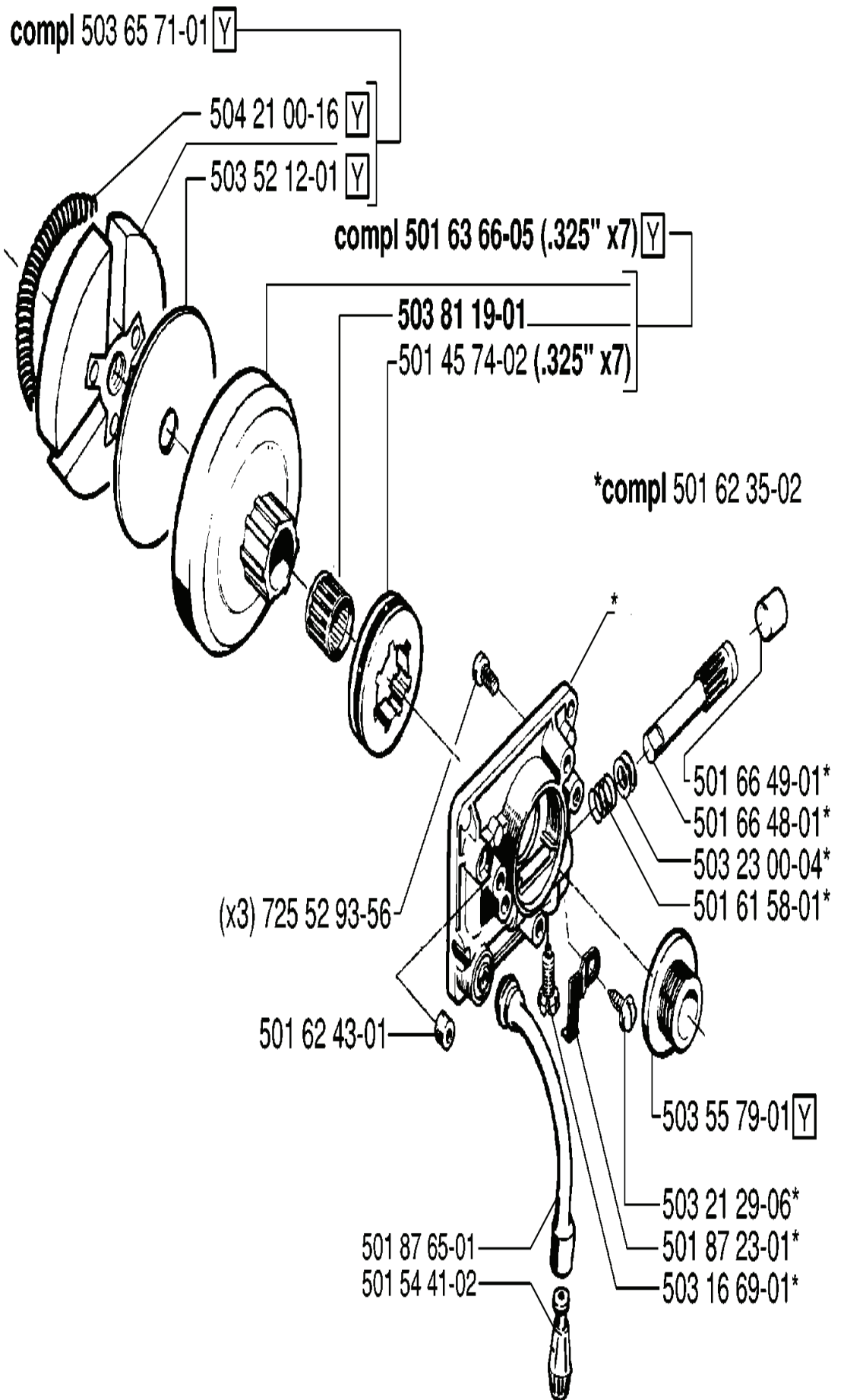
***compl 501 79 42-03**



CHAIN SAWS

PXM_REF	PXM_PARTNO	DESCRIPTION	PXM_REMARK	QTY.
5017942-03	501794203	STARTER ASSY		1
5035439-01	503543901	STARTER HANDLE		1
5053051-25	505305125	STARTER CORD		1
5032107-16	503210716	SCREW IHST		1
5032300-35	503230035	WASHER		1
5017944-01	501794401	STARTER PULLEY ASSY		1
5032129-10	503212910	SCREW CCRPANT		4
7241328-55	724132855	SCREW CRPANM		3
5036670-01	503667001	DECAL	XP	1
5036670-02	503667002	DECAL	XPG	1
7241332-55	724133255	SCREW		1
5017943-02	501794302	STARTER HOUSING		1
5016306-01	501630601	SLEEVE		1
5016302-01	501630201	RECOIL SPRING		1
5016305-01	501630501	GUARD RING		1
5034866-02	503486602	WINTER COVER ASSY	WINTER. BLUE	1

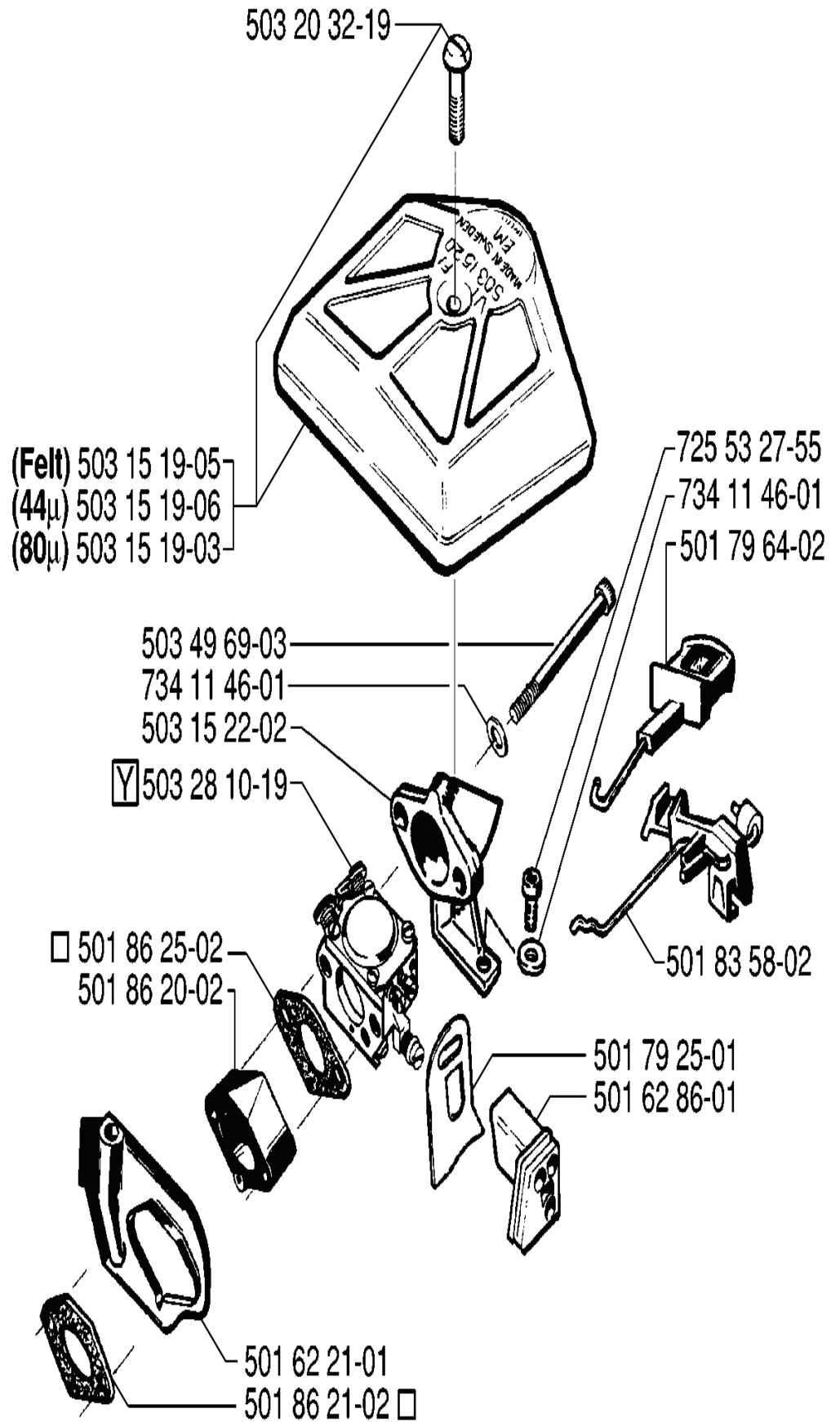
H



CHAIN SAWS

PXM_REF	PXM_PARTNO	DESCRIPTION	PXM_REMARK	QTY.
5036571-01	503657101	CLUTCH ASSY		1
5042100-16	504210016	CLUTCH SPRING		1
5035212-01	503521201	WASHER		1
7255293-56	725529356	SCREW IHSCM		3
5016243-01	501624301	SEALING RING		1
5018765-01	501876501	OIL HOSE		1
5015441-02	501544102	OIL SCREEN		1
5031669-01	503166901	PIN SCREW		1
5018723-01	501872301	LOCKING SPRING		1
5032129-06	503212906	SCREW CCRPANT		1
5035579-01	503557901	PUMP PINION		1
5016158-01	501615801	SPRING		1
5032300-04	503230004	WASHER		1
5016648-01	501664801	PUMP PISTON		1
5016649-01	501664901	TÄTNINGSPROPP		1
5016235-02	501623502	OIL PUMP ASSY		1
5014574-02	501457402	RIM	.325	7
5038119-01	503811901	NEEDLE BEARING		1
5016366-05	501636605	CLUTCH DRUM	.325	7

D



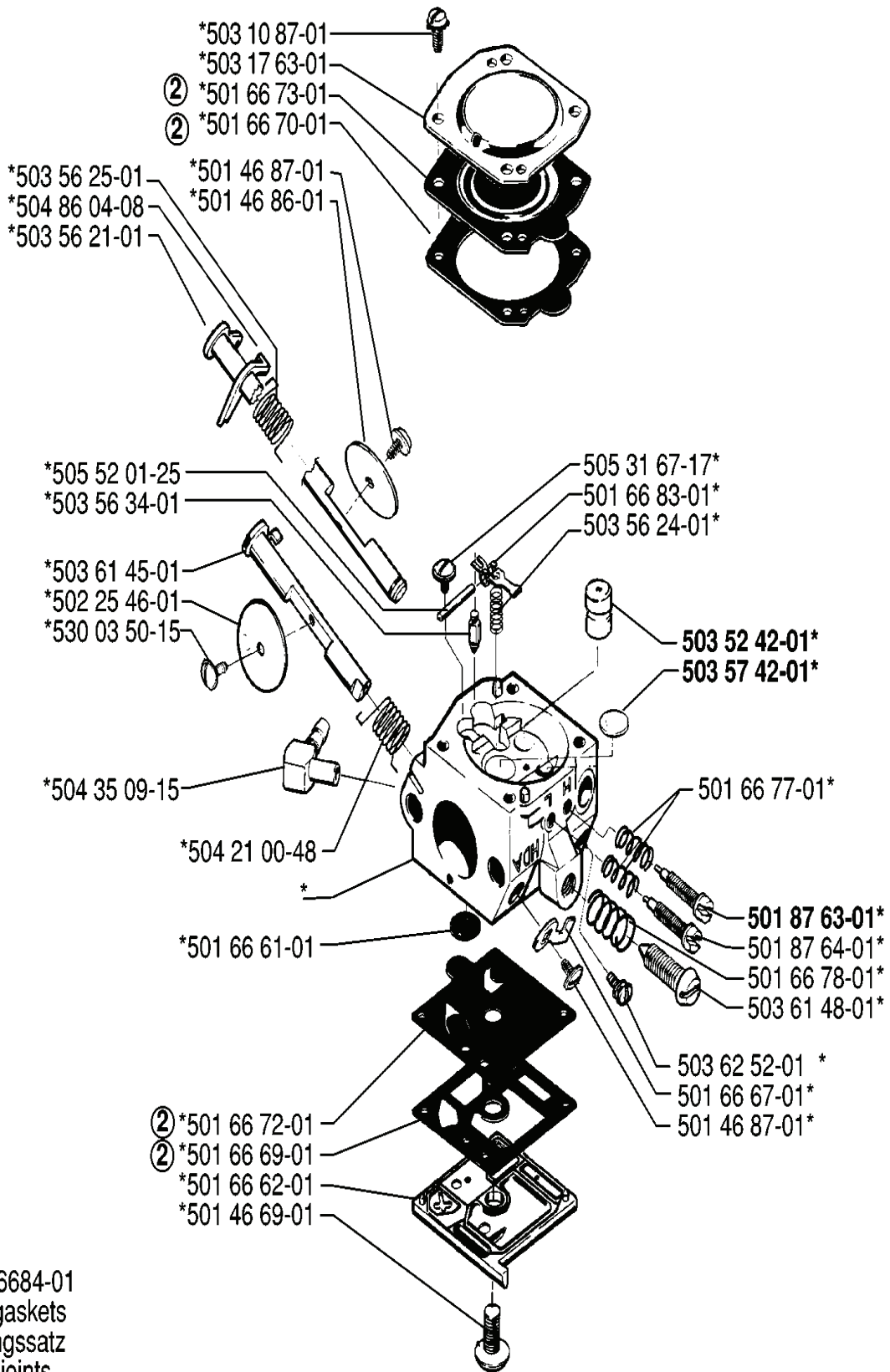
CHAIN SAWS

PXM_REF	PXM_PARTNO	DESCRIPTION	PXM_REMARK	QTY.
503 20 32-19	503203219	SCREW CCRPANMO		1
503 15 19-05	503151905	AIR FILTER ASSY	FELT	1
503 15 19-06	503151906	AIR FILTER ASSY		1
503 15 19-03	503151903	AIR FILTER ASSY		1
503 49 69-03	503496903	SCREW CARBURETTOR		1
734 11 46-01	734114601	WASHER		1
503 15 22-02	503152202	AIR FILTER HOLDER		1
503 28 10-19	503281019	CARBURETTOR		1
501 86 25-02	501862502	GASKET		1
501 86 20-02	501862002	MANIFOLD		1
501 62 21-01	501622101	SEALING COLLAR		1
501 86 21-02	501862102	GASKET		1
501 62 86-01	501628601	SLEEVE		1
501 79 25-01	501792501	INTERMEDIATE WALL		1
501 83 58-02	501835802	THROTTLE CABLE ASSY		1
501 79 64-02	501796402	CHOKE CONTROL		1
725 53 27-55	725532755	SCREW IHSCM		1

M

*compl 503 28 10-19 **Y**

Walbro HDA-98

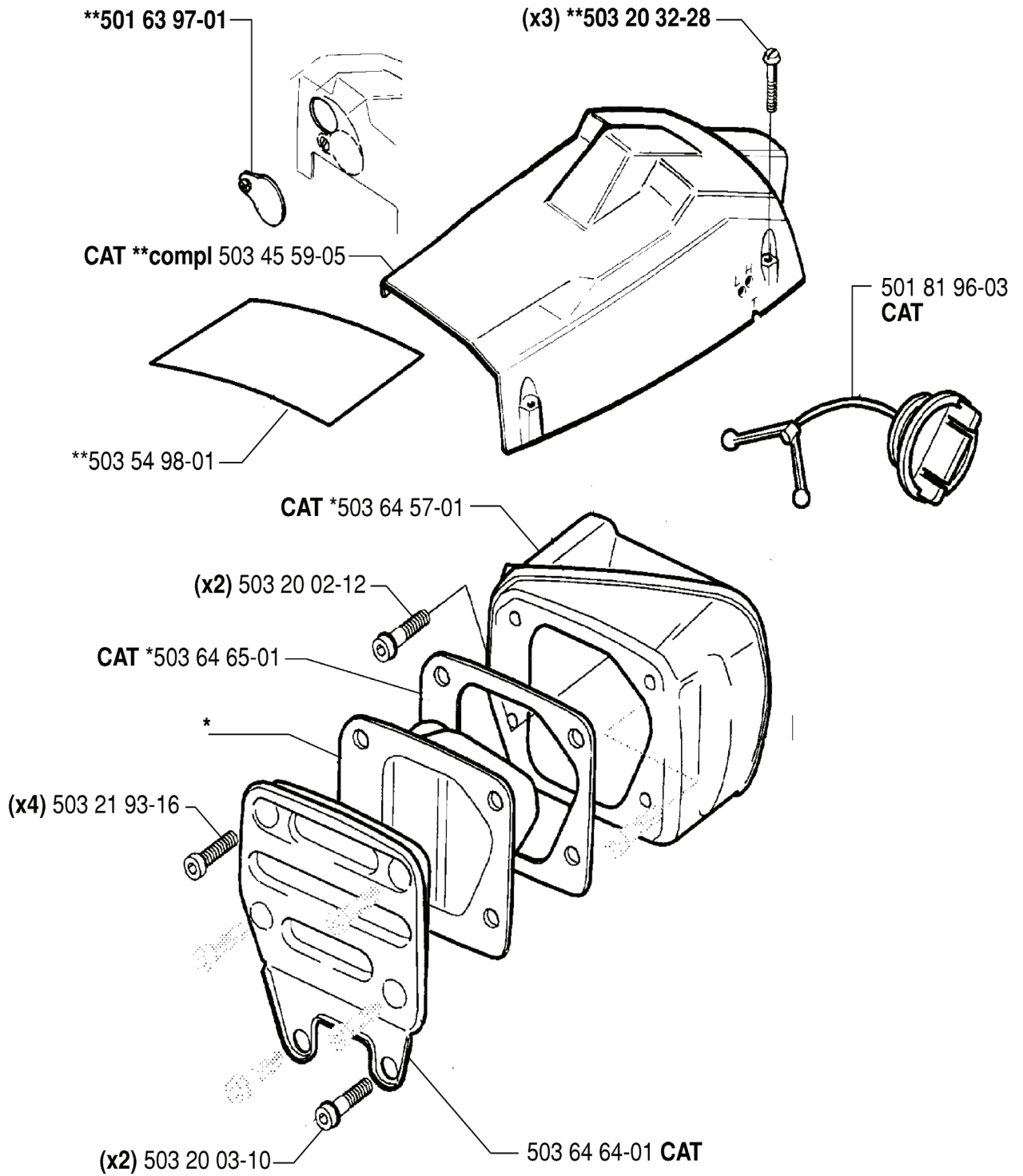


② 501 6684-01
 Set of gaskets
 Dichtungssatz
 Jeu de joints
 Juego de juntas
 Packningssats

CHAIN SAWS

PXM_REF	PXM_PARTNO	DESCRIPTION	PXM_REMARK	QTY.
503 28 10-19	503281019	CARBURETTOR		1
503 10 87-01	503108701	SCREW		1
503 17 63-01	503176301	COVER		1
501 66 73-01	501667301	DIAPHRAGM	501 6684-01 SET OF GASKETS	1
501 66 70-01	501667001	GASKET	501 6684-01 SET OF GASKETS	1
501 46 87-01	501468701	SCREW		1
501 46 86-01	501468601	VALVE		1
503 56 25-01	503562501	SPRING		1
504 86 04-08	504860408	LEVER		1
503 56 21-01	503562101	SHAFT ASSY		1
505 52 01-25	505520125	PIN		1
503 56 34-01	503563401	NEEDLE VALVE		1
503 61 45-01	503614501	SHAFT ASSY		1
502 25 46-01	502254601	VALVE		1
530 03 50-15	530035015	SCREW		1
504 35 09-15	504350915	FITTING		1
504 21 00-48	504210048	SPRING		1
501 66 61-01	501666101	SCREEN		1
501 66 72-01	501667201	DIAPHRAGM	501 6684-01 SET OF GASKETS	1
501 66 69-01	501666901	GASKET	501 6684-01 SET OF GASKETS	1
501 66 62-01	501666201	COVER		1
501 46 69-01	501466901	SCREW		1
501 66 67-01	501666701	STOP-THROTTLE		1
503 62 52-01	503625201	SCREW ASSY		1
503 61 48-01	503614801	SCREW		1
501 66 78-01	501667801	SPRING		1
501 87 64-01	501876401	NEEDLE-IDLE SPEED		1
501 87 63-01	501876301	NEEDLE-HIGH SPEED		1
501 66 77-01	501667701	SPRING		1
503 57 42-01	503574201	PLUG		1
503 52 42-01	503524201	NOZZLE ASSY		1
503 56 24-01	503562401	SPRING		1
501 66 83-01	501668301	LEVER		1
505 31 67-17	505316717	SCREW		1

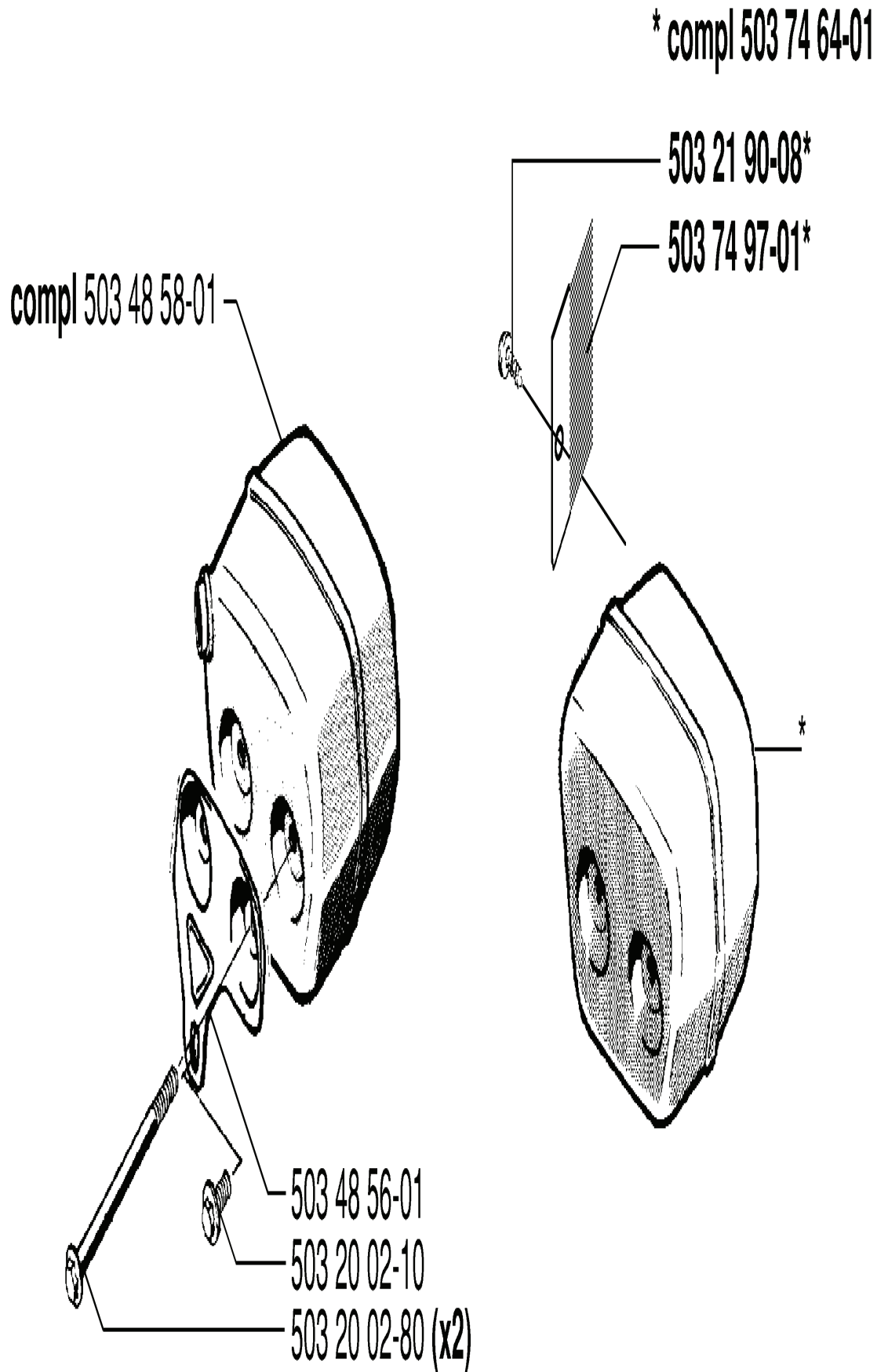
Q *compl 503 65 06-02



CHAIN SAWS

PXM_REF	PXM_PARTNO	DESCRIPTION	PXM_REMARK	QTY.
503 65 06-02	503650602	MUFFLER ASSY		1
501 63 97-01	501639701	COVER		1
503 45 59-05	503455905	CYLINDER COVER ASSY	CAT	1
503 54 98-01	503549801	AL.FOLIE		1
503 64 57-01	503645701	MUFFLER CAT		1
503 20 02-12	503200212	SCREW IHSCFM		2
503 64 65-01	503646501	GASKET	CAT	1
503 21 93-16	503219316	SCREW IHSCM		4
503 20 03-10	503200310	SCREW IHSCFM		2
503 64 64-01	503646401	KYLARE MED STÖDBEN	CAT	1
501 81 96-03	501819603	TANK CAP ASSY	CAT	1
503 20 32-28	503203228	SCREW		3

F



CHAIN SAWS

PXM_REF	PXM_PARTNO	DESCRIPTION	PXM_REMARK	QTY.
503 48 58-01	503485801	MUFFLER ASSY		1
503 48 56-01	503485601	BASEPLATE		1
503 20 02-10	503200210	SCREW IHSCFM		1
503 20 02-80	503200280	SCREW IHSCFM		2
503 74 97-01	503749701	SPARK ARRESTER SCREEN		1
503 21 90-08	503219008	SCREW CCRPANM		1
503 74 64-01	503746401	MUFFLER		1