

SPARE PARTS CATALOGUE
CHAIN SAWS: HUSQVARNA 455 RANCHER

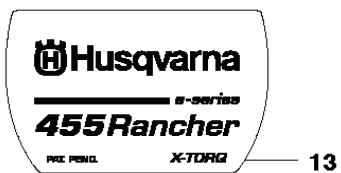
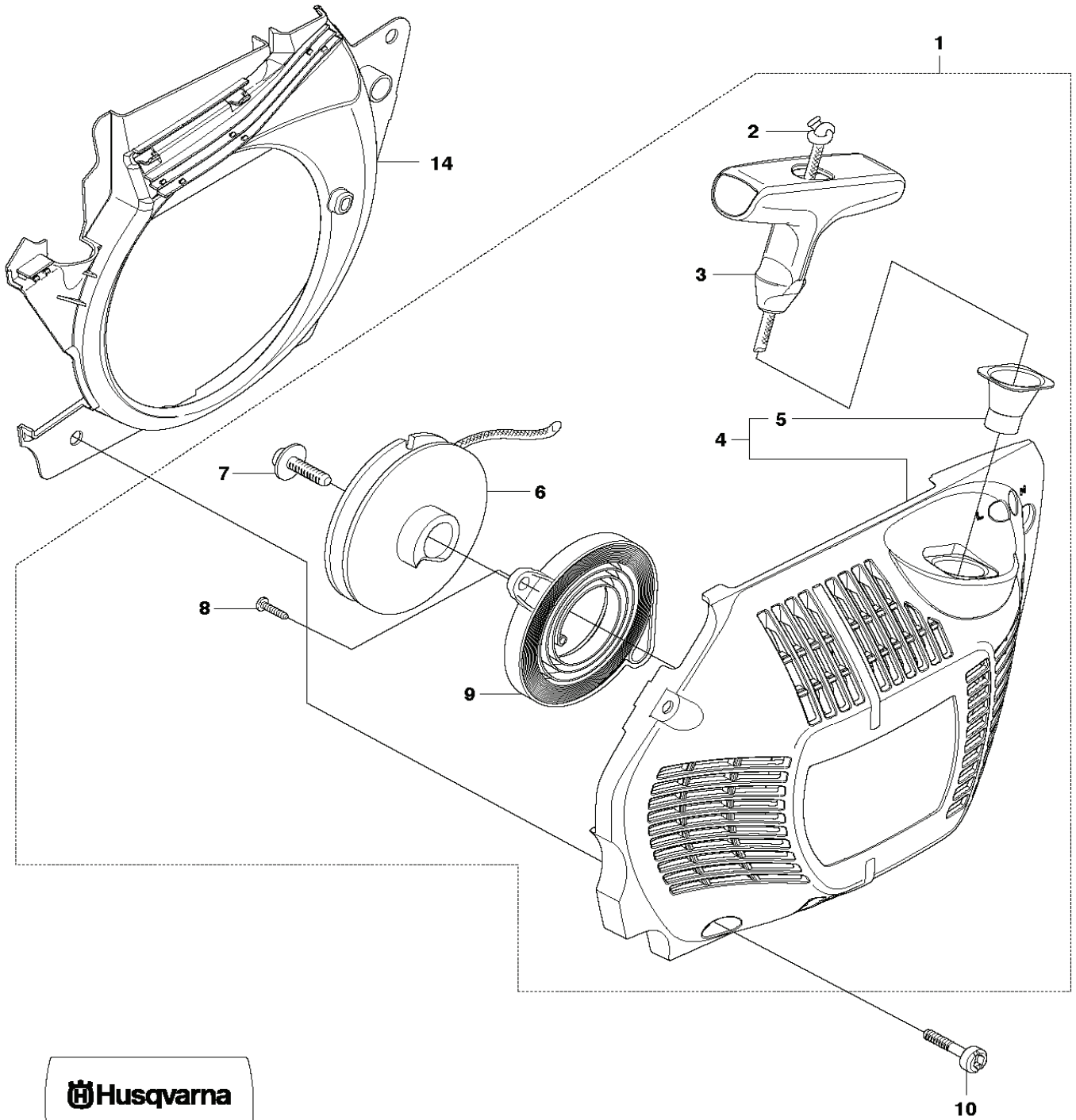
Spare Parts List

SPARE PARTS LIST

CHAIN SAWS

HUSQVARNA 455 RANCHER

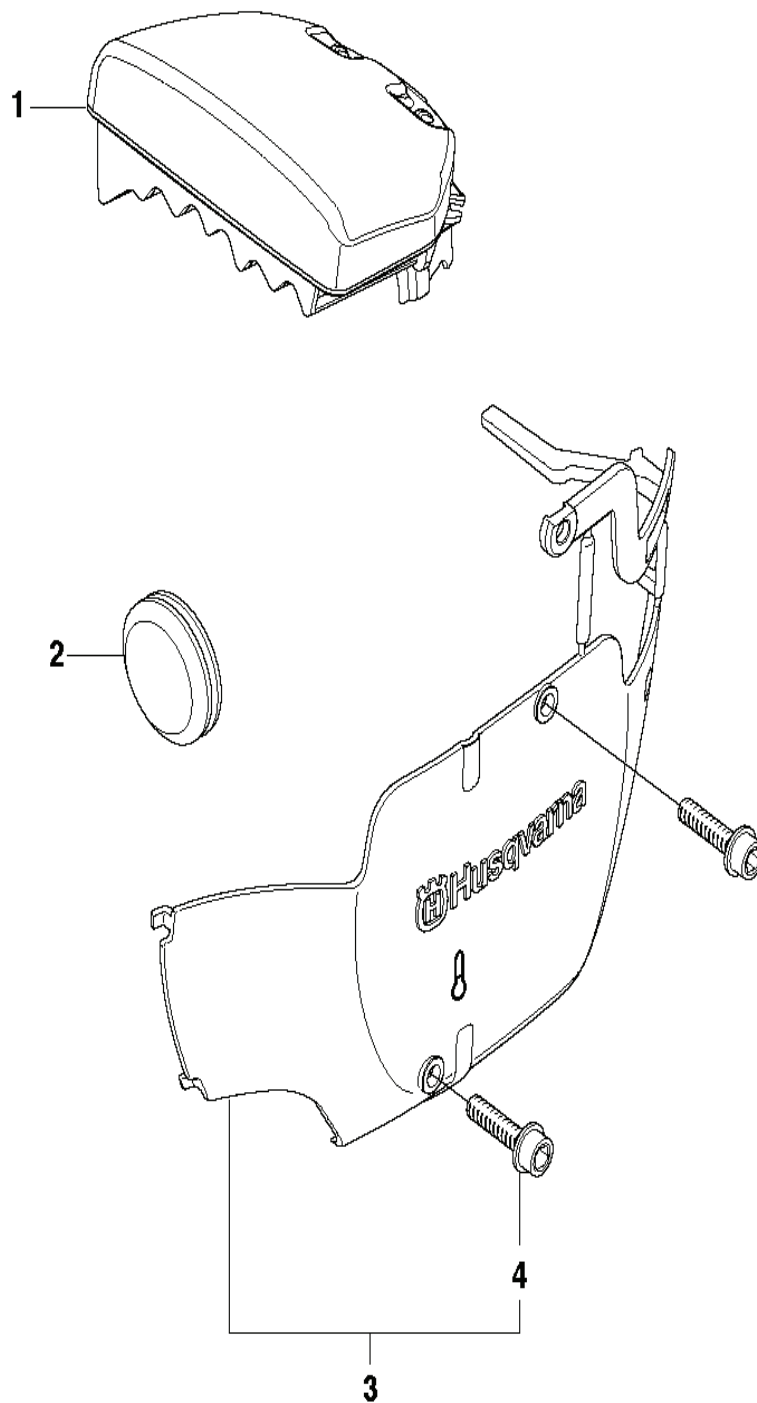
D 455e, 455
STARTER



CHAIN SAWS

PXM_REF	PXM_PARTNO	DESCRIPTION	PXM_REMARK	QTY.
1	537284201	STARTER ASSY		1
2	505305125	STARTER CORD		1 1
3	537232501	STARTER HANDLE		1 1
4	537284102	STARTER HOUSING		1 1
5	537283201	SLEEVE		1 1.4
6	537092502	STARTER PULLEY		1 1
7	503217716	SCREW IHSCT		1 1
8	503212810	SCREW CCRPANT		2 1
9	537241701	SPRING CASSETTE ASSY		1 1
10	503217321	SCREW		4
12	537323304	DECAL		1
13	537323306	DECAL		1
14	537260901	AIR CONDUCTOR		1

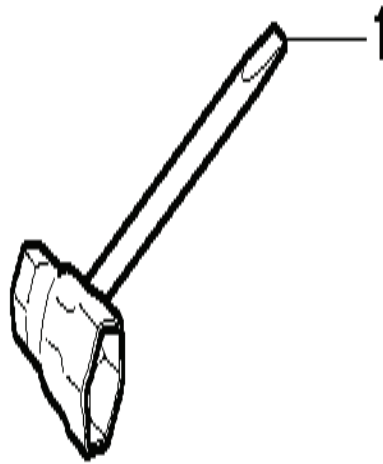
Q 455e, 455
WINTER KIT



CHAIN SAWS

PXM_REF	PXM_PARTNO	DESCRIPTION	PXM_REMARK	QTY.
1	537255701	AIR FILTER ASSY	μ80	1
2	503405901	WINTER PLUG		1
3	537356001	WINTER KIT		1
4	503217016	SCREW CCRPANT		2 3

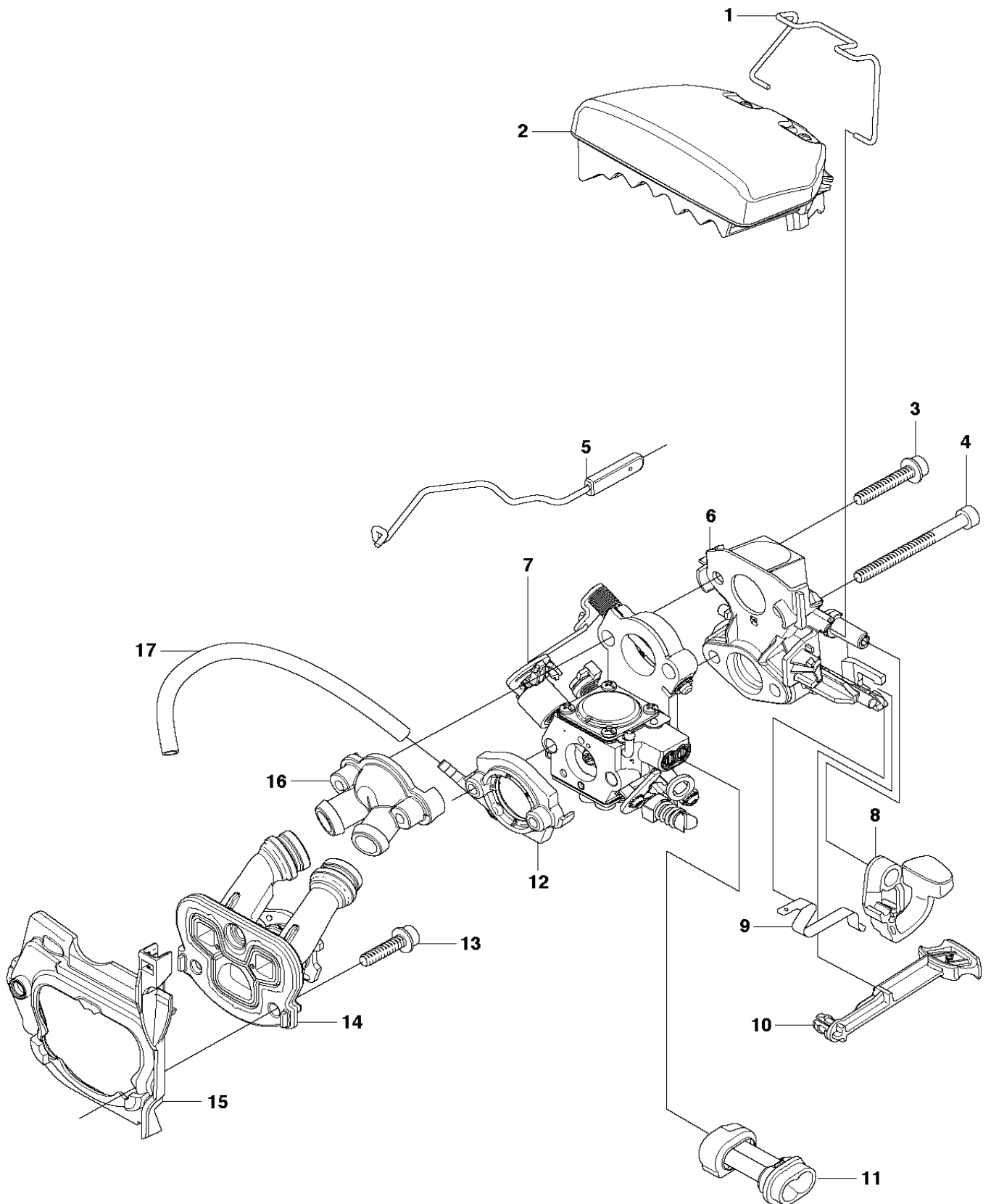
P 455e, 455
ACCESSORIES



CHAIN SAWS

PXM_REF	PXM_PARTNO	DESCRIPTION	PXM_REMARK	QTY.
1	501691701	COMBINATION WRENCH		1

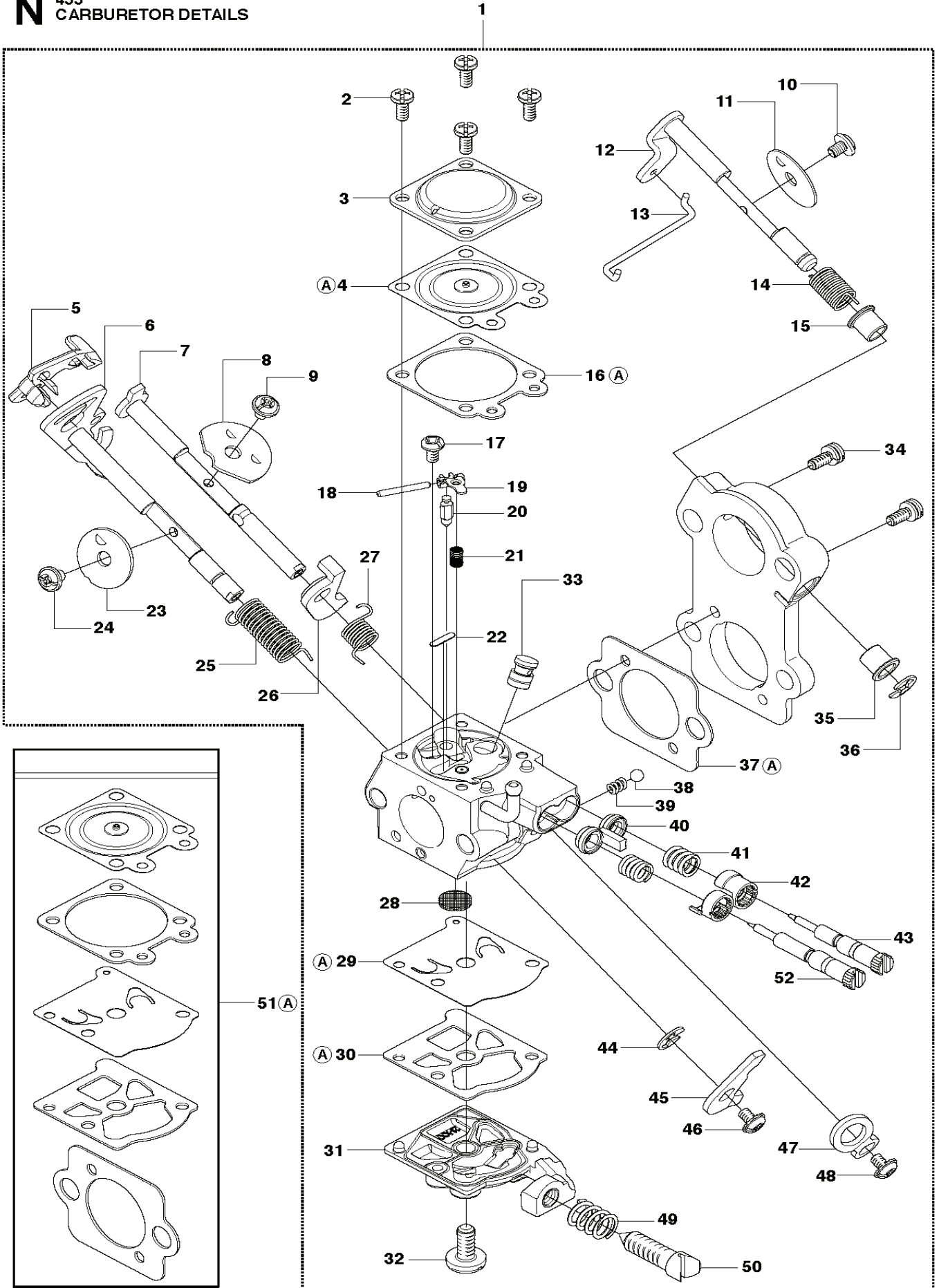
G 455e, 455
CARBURETOR & AIR FILTER



CHAIN SAWS

PXM_REF	PXM_PARTNO	DESCRIPTION	PXM_REMARK	QTY.
1	537304901	CLAMP		1
2	537255701	AIR FILTER ASSY	μ80	1
2	537255702	AIR FILTER ASSY	μ44	1
2	537255703	AIR FILTER ASSY	FELT	1
3	503215525	SCREW IHSTC		2
4	503217450	SCREW IHSTC		2
5	537260802	THROTTLE CABLE ASSY		1
6	537323001	INLET ELBOW		1
7	544883001	CARBURETTOR	Walbro WTEA-1	1
8	537255501	STOP SWITCH		1
9	503869702	SPRING		1
10	537255601	CHOKE CONTROL		1
11	544071401	GUIDE SLEEVE		1
12	537241501	FLANGE		1
13	503200216	SCREW IHSCFM		3
14	537321002	PIPE ASSY		1
15	537371401	INSULATION WALL		1
16	537241401	FLANGE		1
17	503400610	IMPULSE HOSE		1

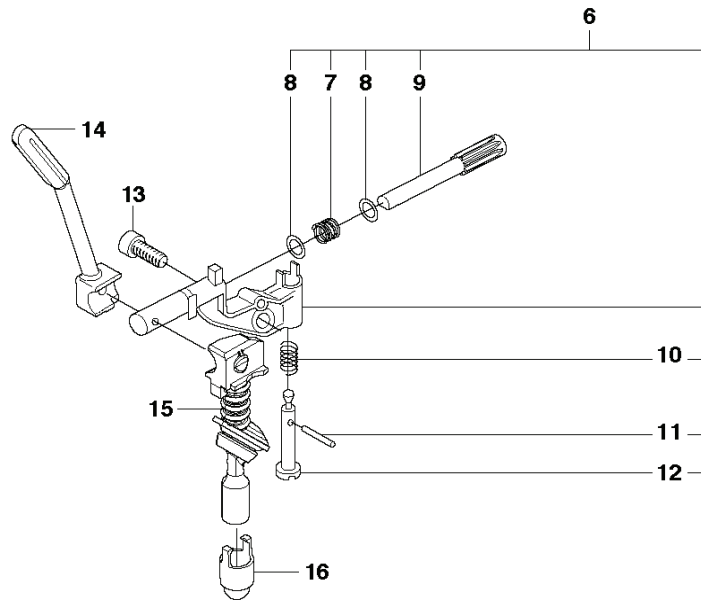
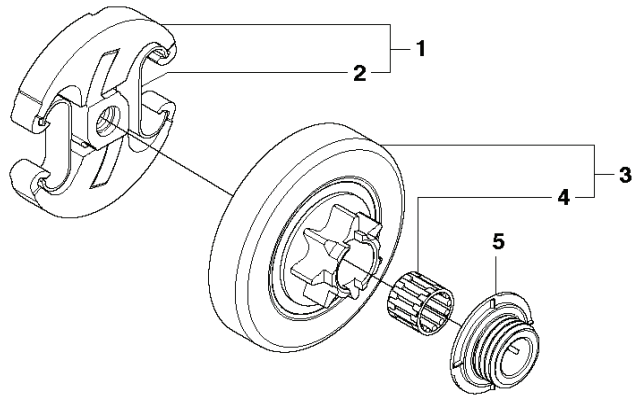
N 455
CARBURETOR DETAILS



CHAIN SAWS

PXM_REF	PXM_PARTNO	DESCRIPTION	PXM_REMARK	QTY.
1	544883001	CARBURETTOR	WALBRO, WTEA-1	1
2	503584601	SCREW		4 1
3	505316754	LOCK STYRMEMBRAN		1 1
4	502847001	DIAPHRAGM		1 1,51
5	537306201	LEVER		1 1
6	537407401	SHAFT ASSY		1 1
7	537407501	SHAFT ASSY		1 1
8	537407701	VALVE		1 1
9	537003401	SCREW		1 1
10	537003401	SCREW		1 1
11	537406801	VALVE		1 1
12	537406901	SHAFT ASSY		1 1
13	537407201	ROD		1 1
14	537407001	SPRING THROTT.RETURN		1 1
15	537406701	BUSHING		1 1
16	504350906	GASKET		1 1,51
17	502847101	SCREW		1 1
18	505520125	PIN		1 1
19	502847401	LEVER		1 1
20	503563401	NEEDLE VALVE		1 1
21	503914701	SPRING		1 1
22	502846901	PLUG		1 1
23	502846601	VALVE		1 1
24	544111501	SCREW		1 1
25	537408401	SPRING THROTT.RETURN		1 1
26	537409201	LEVER		1 1
27	537408601	SPRING CHOKE RETURN		1 1
28	501666101	SCREEN		1 1
29	502213601	DIAPHRAGM PUMP		1 1,51
30	504130906	GASKET		1 1,51
31	537407301	COVER		1 1
32	501466901	SCREW		1 1
33	502846801	NOZZLE ASSY		1 1
34	537408301	SCREW		2 1
35	537406601	BUSHING		1 1
36	505316736	RING		1 1
37	537408101	GASKET		1 1,51
38	501468501	BALL		1 1
39	501468401	SPRING		1 1
40	544971401	RETAINER		1 1
41	544971001	SPRING		2 1
42	544970801	LIMITER CAP		2 1
43	502847201	NEEDLE	High Speed	1 1
44	505316736	RING		1 1
45	537407101	LEVER		1 1
46	501468701	SCREW		1 1
47	537407601	LEVER		1 1
48	501468701	SCREW		1 1
49	503564201	SPRING		1 1
50	537408201	SCREW		1 1
51	505278401	KIT	A = Set of Gaskets	1
52	502847301	NEEDLE	Low Speed	1 1

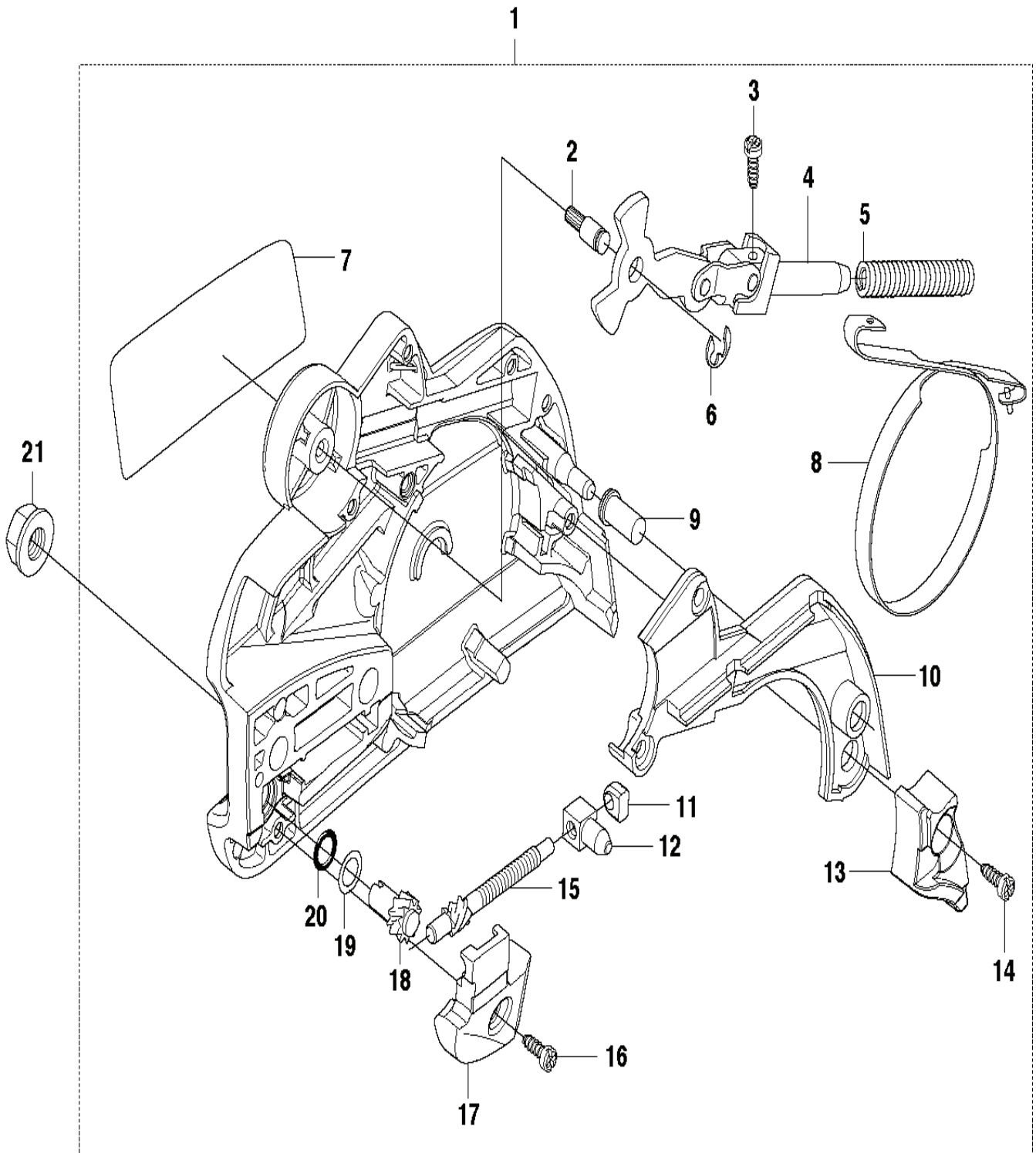
B 455e, 455
CLUTCH & OIL PUMP



CHAIN SAWS

PXM_REF	PXM_PARTNO	DESCRIPTION	PXM_REMARK	QTY.
1	537110503	CLUTCH ASSY		1
2	537359101	CLUTCH SPRING		2 1
3	537291702	CLUTCH DRUM ASSY	".325"x7 SPUR"	1
3	537291604	CLUTCH DRUM ASSY	".8"x7 SPUR"	1
4	503255201	NEEDLE BEARING		1 3
5	537252601	PUMP PINION		1
6	544180104	OIL PUMP ASSY		1
7	503891601	SPRING		1 6
8	503230060	WASHER		1 6
9	537069302	PUMP PISTON		1 6
10	503891501	SPRING		1 6
11	721116430	GROOVED PIN		1 6
12	537027101	ADJUSTER		1 6
13	503217416	SCREW IHSCT		1
14	537261501	OIL PRESSURE HOSE		1
15	585514001	OIL HOSE		1
16	510044301	OIL SCREEN		1

A2 455 Rancher CLUTCH COVER

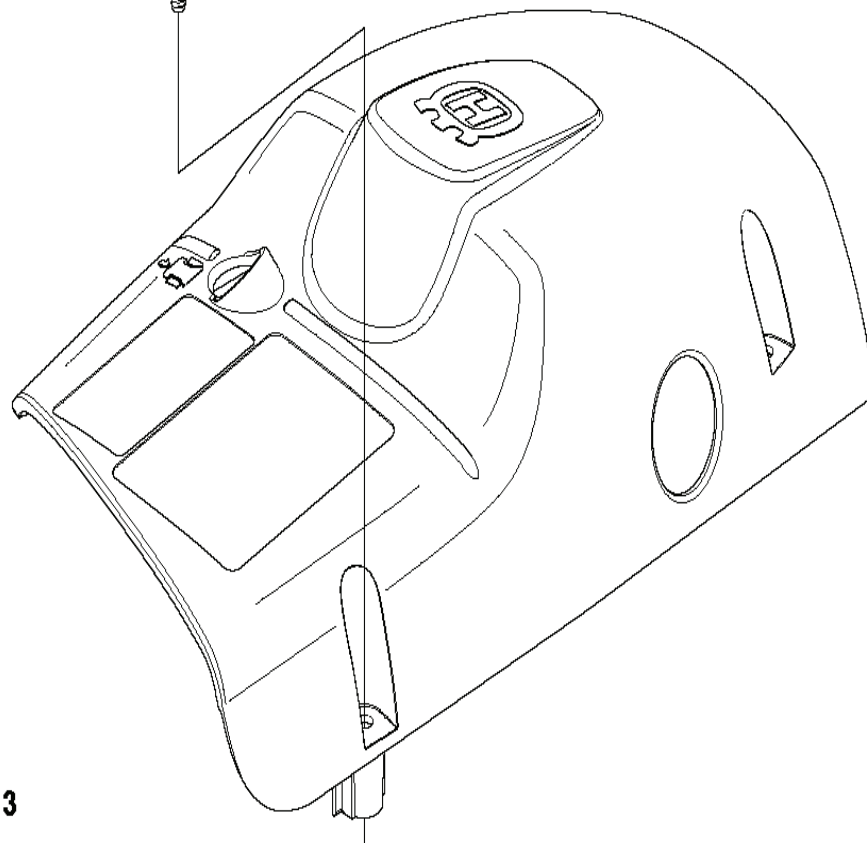
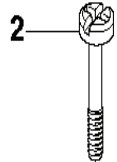


CHAIN SAWS

PXM_REF	PXM_PARTNO	DESCRIPTION	PXM_REMARK	QTY.
1	537286301	CLUTCH COVER ASSY		1
2	503892901	PIN		1 1
3	503217010	SCREW CCRPANT		1 1
4	503890802	KNEE JOINT ASSY		1 1
5	503465901	BRAKE SPRING		1 1
6	735310820	E-CLIP		1 1
7	537298601	LABEL		1 1
8	537043001	BRAKE BAND ASSY		1 1
9	503855201	GUIDE BUSHING		1 1
10	537108002	HUB CAP		1 1
11	537017401	BEARING SLEEVE		1 1,15
12	537286601	PAWL		1 1,15
13	537089001	WEAR PROTECTION		1 1
14	503217010	SCREW CCRPANT		4 1
15	575260403	CHAIN TENSIONER KIT		1 1
16	503217010	SCREW CCRPANT		1 1
17	537286401	COVER		1 1
18	537079402	WORM WHEEL		1 1,15
19	503230063	WASHER		1 1,15
20	740480702	O-RING		1 1,15
21	503220001	HEXAGON NUT		2

C 455e, 455
COVER

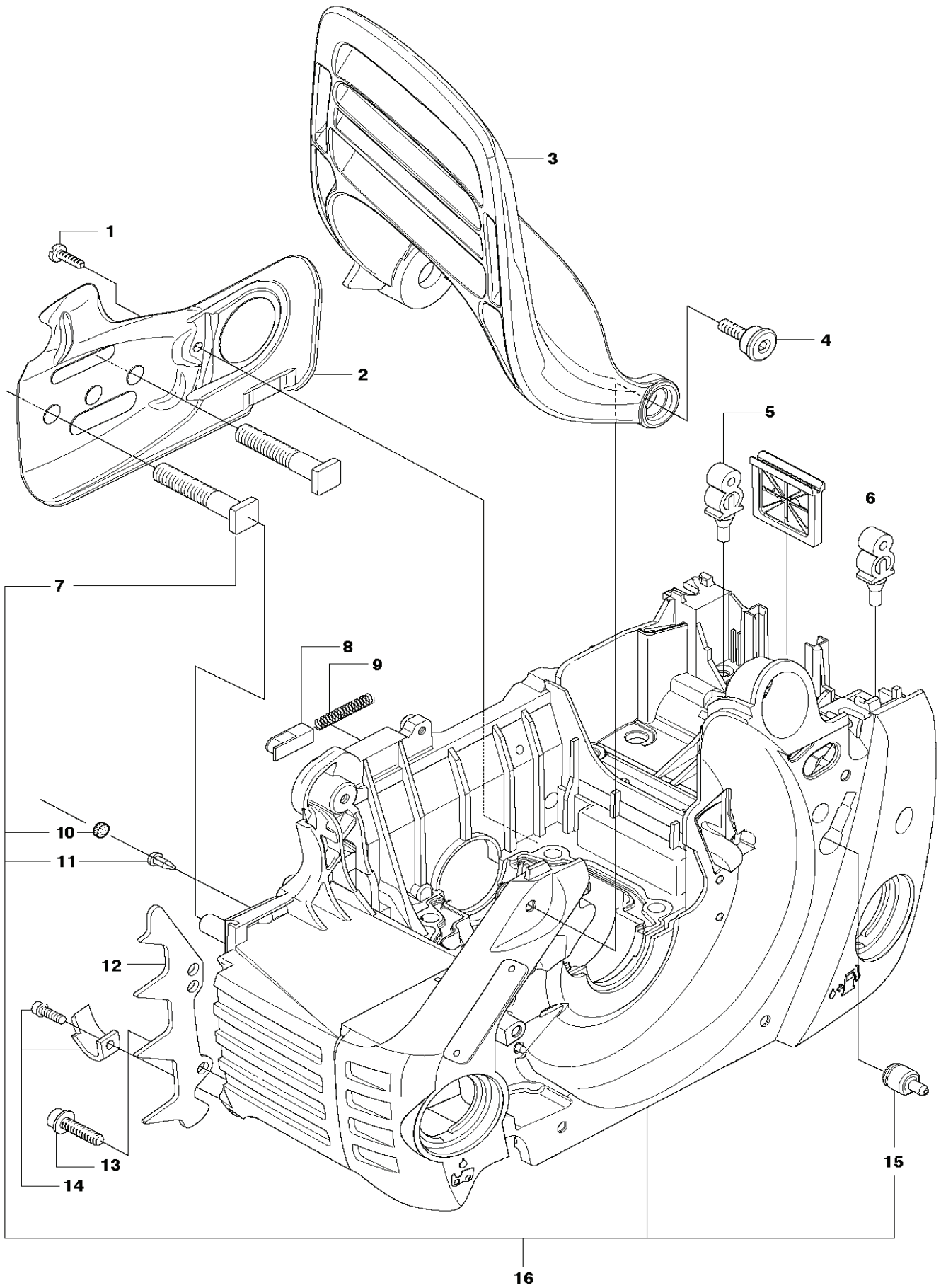
1



CHAIN SAWS

PXM_REF	PXM_PARTNO	DESCRIPTION	PXM_REMARK	QTY.	
1	537308901	CYLINDER COVER		1	
2	503203476	SCREW		3	1
3	503987401	LABEL		1	1

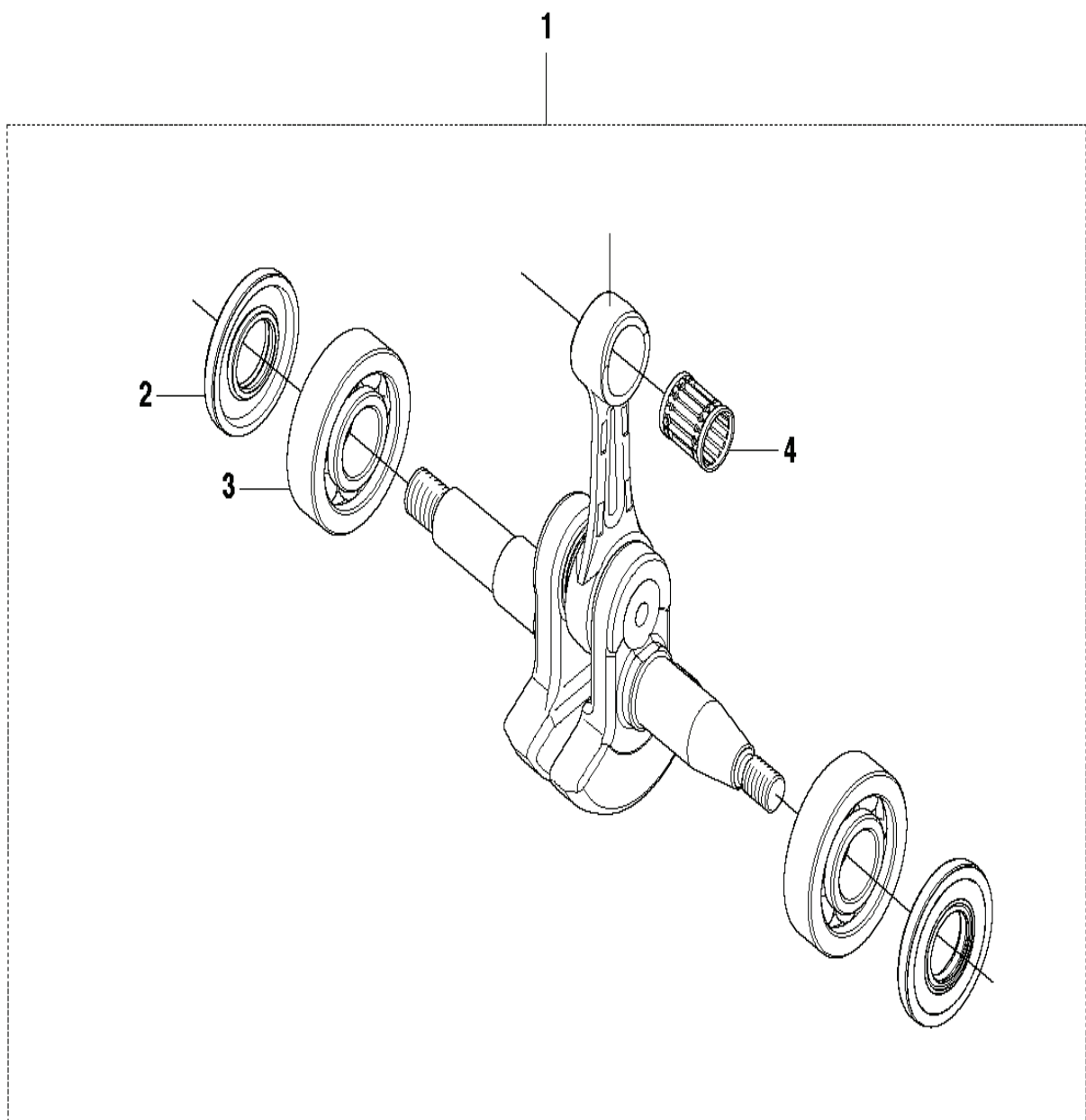
K2 455 CRANKCASE



CHAIN SAWS

PXM_REF	PXM_PARTNO	DESCRIPTION	PXM_REMARK	QTY.
1	503217010	SCREW CCRPANT		1
2	537271302	CHAIN GUIDE PLATE		1
3	537284301	HAND GUARD		1
4	537296501	SCREW		2
5	503869301	SUPPORT		2
6	537260401	BELLOWS		1
7	537227801	BAR BOLT		2 16
8	503892401	LOCK		1
9	503436501	POSITION SPRING		1
10	537403501	FILTER		1 16
11	530026119	CHECK VALVE		1 16
12	503973801	SPIKE		1
13	503216872	SCREW IHSCT		2
14	503910671	KIT		1
15	537359501	TANK VENT ASSY		1 16
16	510065902	CRANKCASE		1

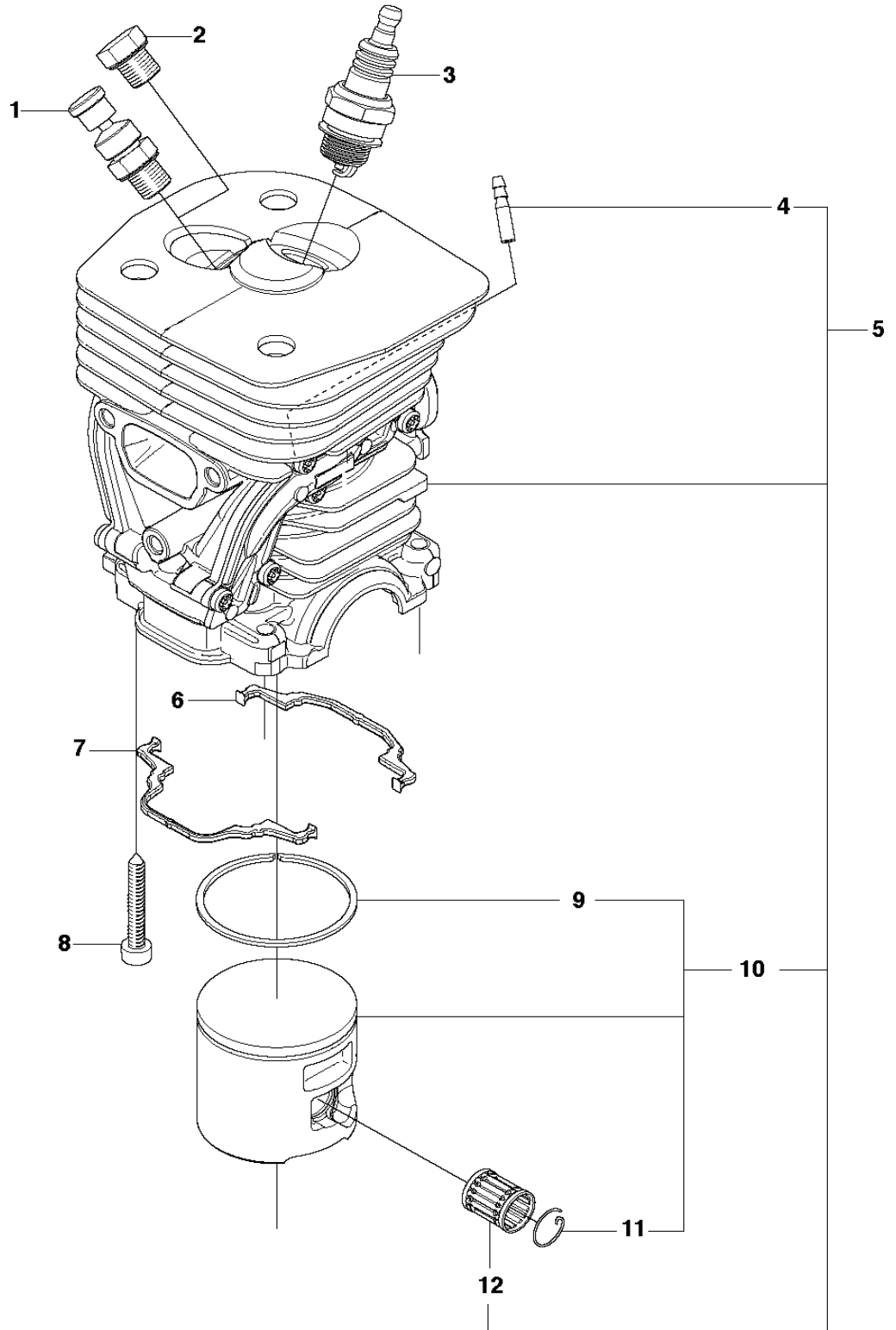
J 455e, 455
CRANKSHAFT



CHAIN SAWS

PXM_REF	PXM_PARTNO	DESCRIPTION	PXM_REMARK	QTY.
1	537314002	CRANKSHAFT ASSY		1
2	503261901	SEALING		2 1
3	503251602	BALL BEARING		2 1
4	501861801	NEEDLE BEARING		1 1

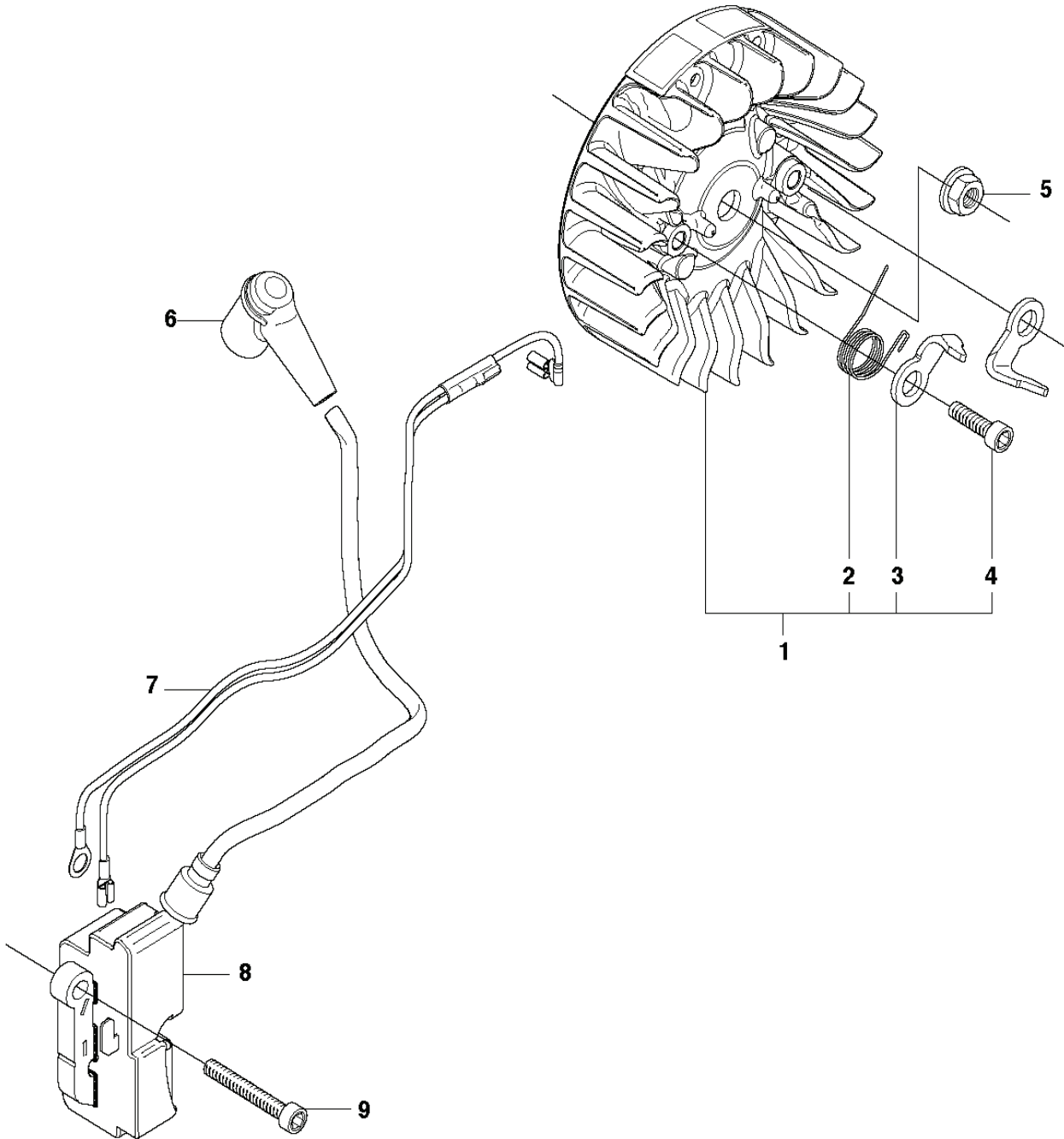
H 455e, 455
CYLINDER PISTON



CHAIN SAWS

PXM_REF	PXM_PARTNO	DESCRIPTION	PXM_REMARK	QTY.
1	585236301	DECOMPRESSION VALVE		1
2	503552201	PLUG		1
3	577484001	SPARK PLUG	HQT-1	1
4	503424301	IMPULSE NIPPLE		1 5
5	537320402	CYLINDER KIT	455	1
6	537245801	GASKET		1
7	537245701	GASKET		1
8	503200527	SCREW IHSCM		4
9	503289050	PISTON RING	455	1 10.5
10	537293004	PISTON ASSY	455	1 5
11	737431200	SNAP RING		2 10.5
12	501861801	NEEDLE BEARING		1 5

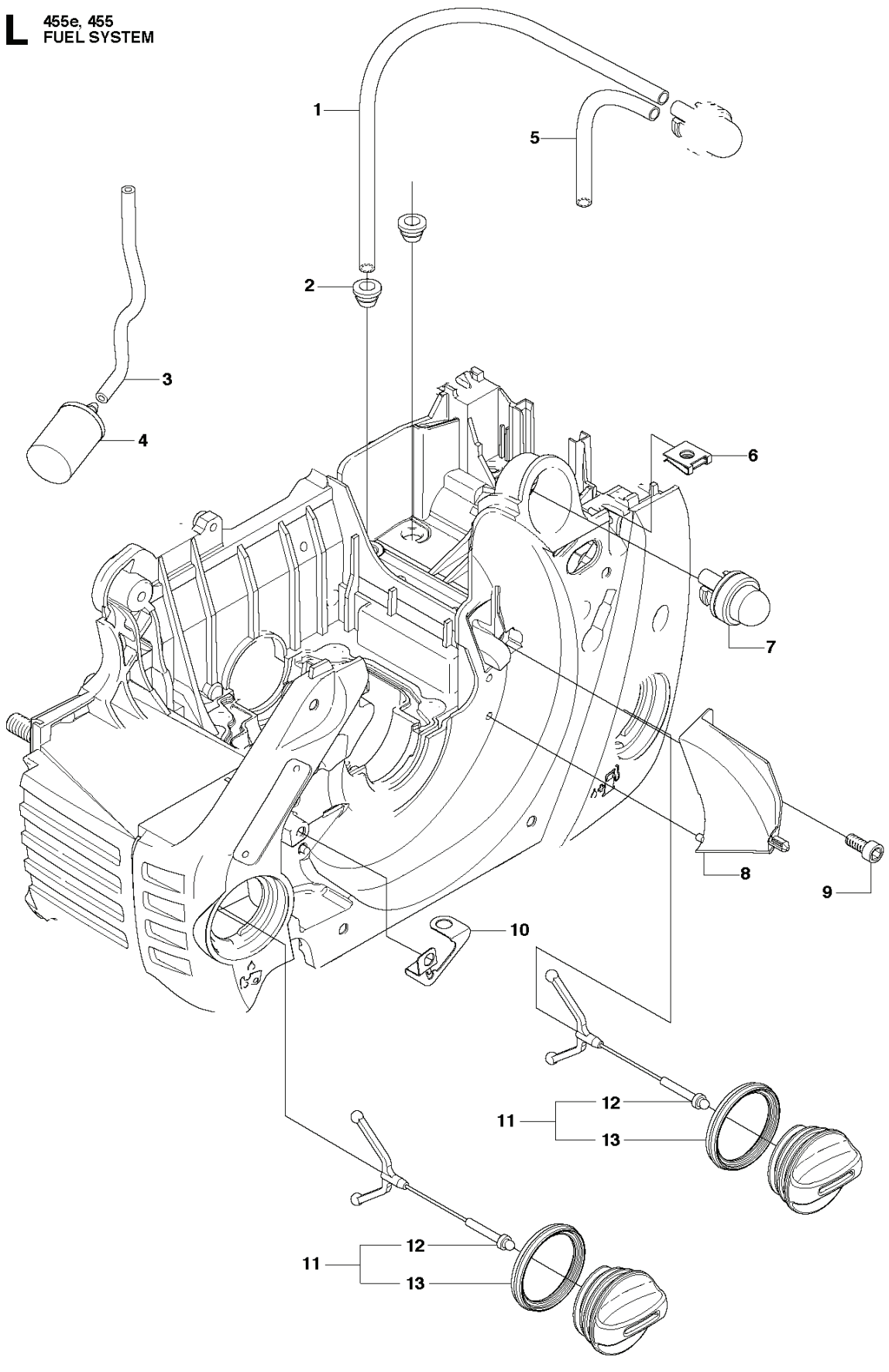
E 455e, 455
ELECTRICAL



CHAIN SAWS

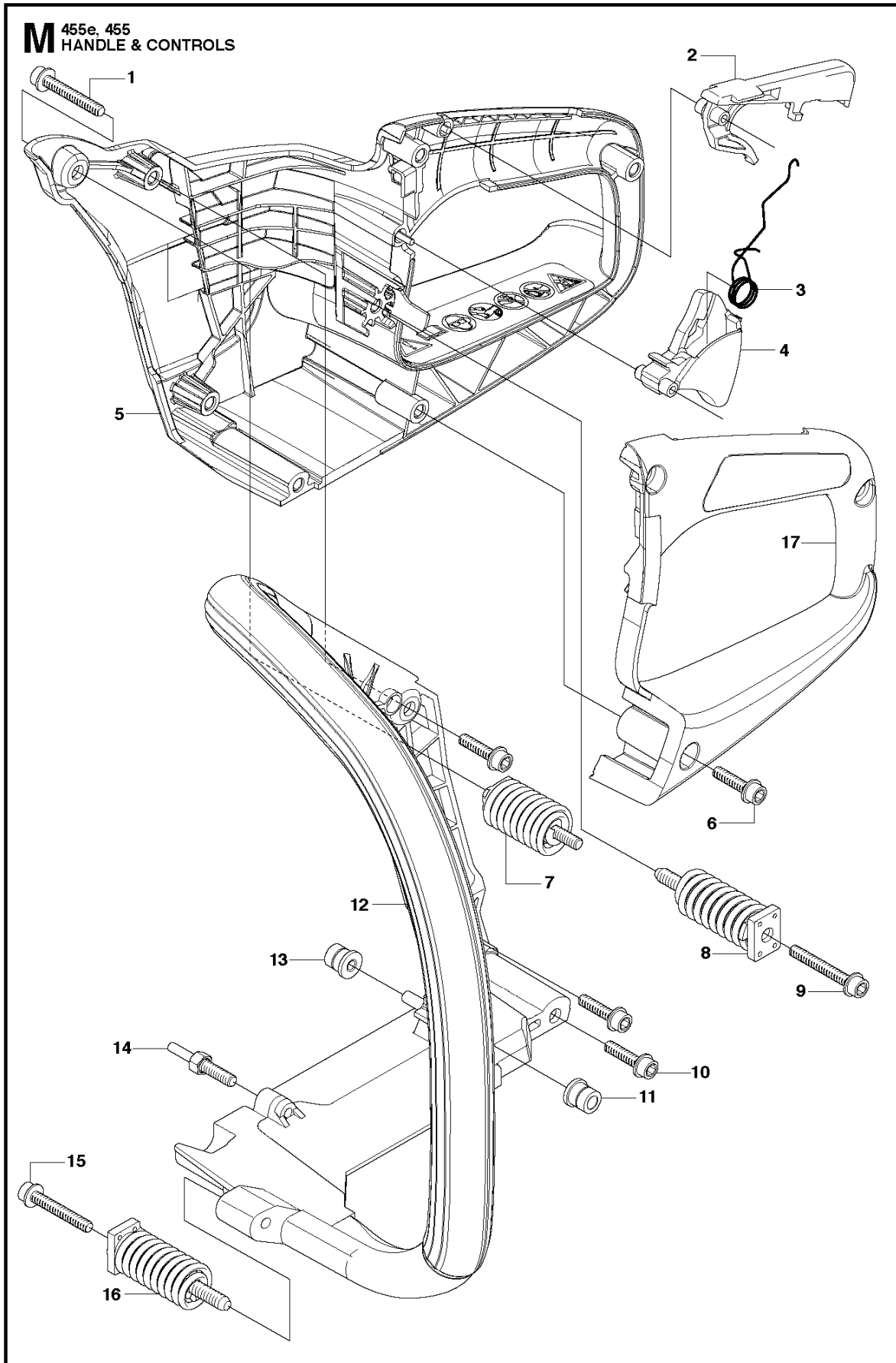
PXM_REF	PXM_PARTNO	DESCRIPTION	PXM_REMARK	QTY.
1	537292701	FLYWHEEL ASSY		1
2	529271101	SPRING		2 1
3	537245601	STARTER PAWL		2 1
4	501819903	SCREW		2 1
5	503220401	NUT		1
6	501485402	SPARK PLUG CAP		1
7	537272701	WIRING ASSY		1
8	544047001	IGNITION MODULE		1
9	503215525	SCREW IHSCT		2

L 455e, 455
FUEL SYSTEM



CHAIN SAWS

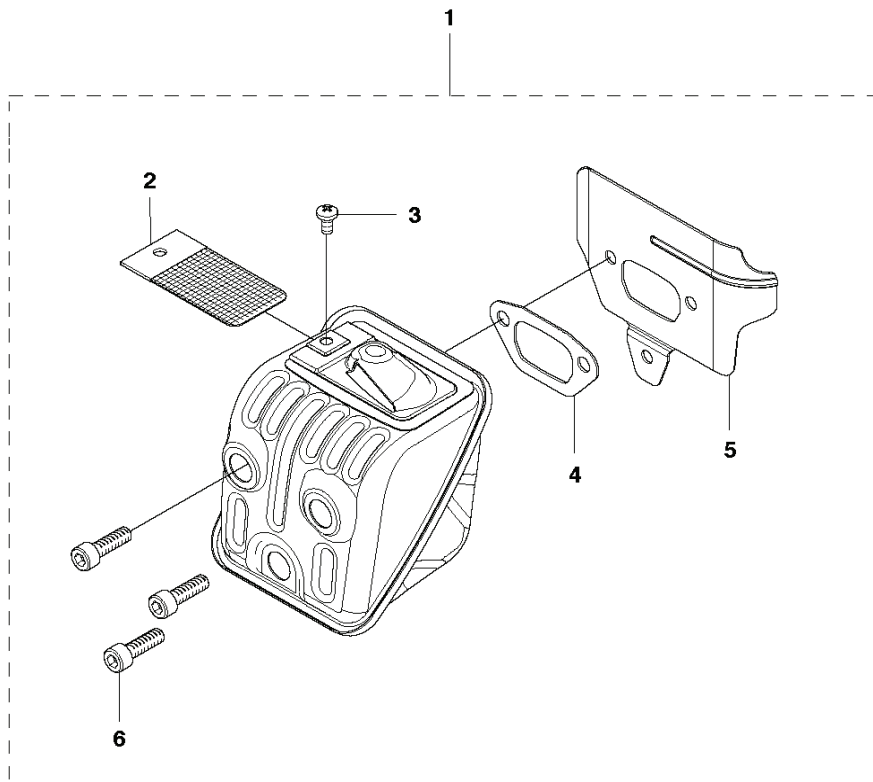
PXM_REF	PXM_PARTNO	DESCRIPTION	PXM_REMARK	QTY.
1	537042408	FUEL HOSE		1
2	503735801	BUSHING		2
3	581756202	FUEL HOSE		1
4	503443201	FUEL FILTER		1
5	537042402	FUEL HOSE		1
6	503226902	NUT		3
7	503936601	PURGE		1
8	537317901	AIR NOZZLE		1
9	503217412	SCREW IHSCT		1
10	537278001	GROUND PLATE		1
11	537215202	TANK CAP ASSY		2
12	503578901	HOLDER		1
13	537215001	SEALING		1



CHAIN SAWS

PXM_REF	PXM_PARTNO	DESCRIPTION	PXM_REMARK	QTY.
1	503218876	SCREW IH SCT		1
2	502440201	THROTTLE LOCKOUT		1
3	503998601	RECOIL SPRING		1
4	537260503	THROTTLE TRIGGER		1
5	580945901	REAR HANDLE		1
6	503210270	SCREW IH SCT		3
7	537304601	ANTIVIBRATION ELEMENT		1
8	503854101	ANTIVIBRATION ELEMENT		1
9	503218876	SCREW IH SCT		1
10	503210270	SCREW IH SCT		3
11	503869201	BUSHING		1
12	537230502	FRONT HANDLE		1
13	503869201	BUSHING		3
14	537242901	SCREW		1
15	503218876	SCREW IH SCT		1
16	503923101	ANTIVIBRATION ELEMENT		1
17	537230704	HUB CAP		1

F 455e, 455
MUFFLER



CHAIN SAWS

PXM_REF	PXM_PARTNO	DESCRIPTION	PXM_REMARK	QTY.
1	575743002	MUFFLER KIT		1
2	544116802	SPARK ARRESTER SCREEN		1 1
3	724128759	SCREW CRPANM		1
4	537287701	GASKET		1
5	577223301	HEAT DEFLECTOR		1
6	725537055	SCREW IHSCM		3 1